

FR 5000.L

SLIDE TYPE:	Full-Extension Ball Bearing Drawer Slide - Lock-Out Version
MOUNTING:	Side Mount

WIDTH:	12.7 mm (0.5 in.)
LOAD CAPACITY:	dynamic up to 45 kg (100 lbs.)

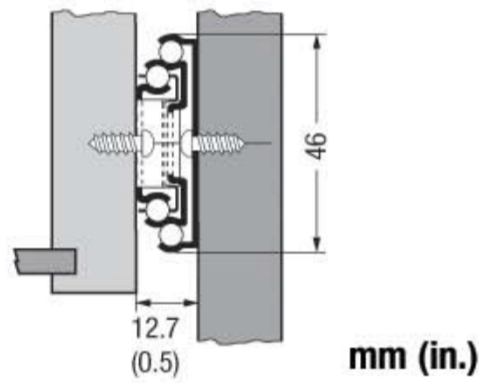


FR 5000.L
lock-out mechanism

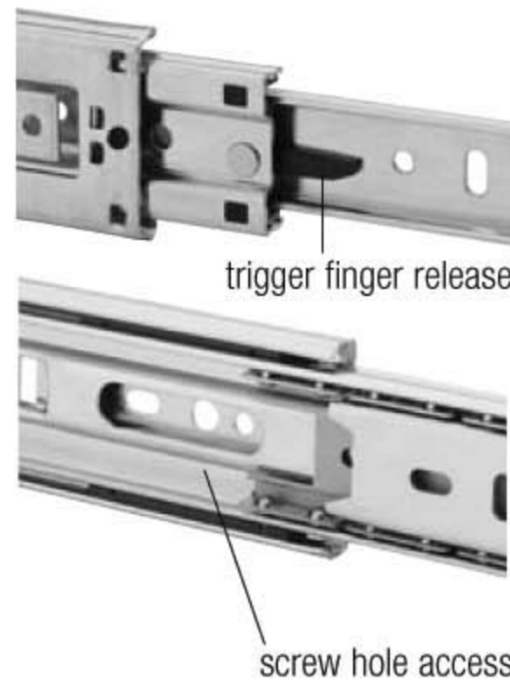
MATERIALS:	cold rolled steel
-------------------	-------------------

FEATURES:	steel ball bearings
------------------	---------------------

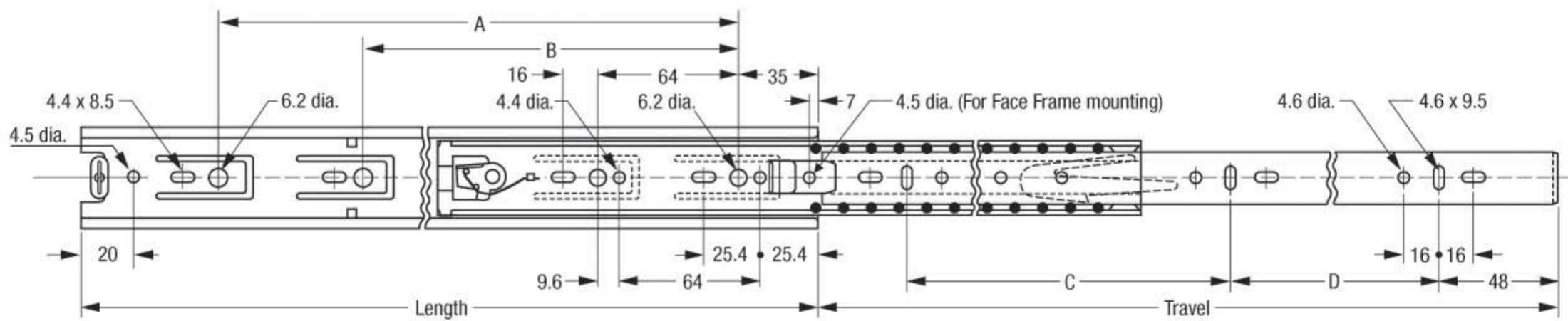
SPECIFICATIONS:
<ul style="list-style-type: none"> ▶ precision ball bearing drawer slide for medium-duty applications in office and residential furniture with a lock-out in the extended position ▶ drawer profile features an easy to operate disconnect finger release trigger ▶ system 32 compatible hole locations ▶ drawer slide is non-handed, and has a hold-close detent



12.7mm (0.5 in.) is the actual size of the slide. Allow a min. of 13.1 mm (0.52 in.) for clearance.



NOTE:
<ul style="list-style-type: none"> ▶ The compatible regular extension sister model FR 5005 ▶ See FR 5000 page for available rear mounting brackets and front mounting bracket for face frame.



Length	Travel	Cabinet Profile:		Drawer Profile:		Weight	Order No.	Order No.						
		A	B	C	D									
mm	in	mm	in	mm	in	kg	black chromate	zinc						
300	11.81	302	11.89		182	7.55								
350	13.78	354	13.94		224	8.82								
400	15.75	400	15.75	320	12.59	224	8.82	160	6.30	128	5.04	*	*	400202
450	17.71	452	17.80	352	13.86	224	8.82	192	7.56	160	6.30	*	*	400203
500	19.69	515	20.28	416	16.37	288	11.33	224	8.82	192	7.56	*	*	400204
550	21.65	558	21.97	416	16.37	288	11.33	256	10.08	192	7.56	*	*	400205
600	23.62	600	23.62	480	18.89	224	8.82	288	11.33	224	8.82	*	*	400206
650	25.59	650	25.59	544	21.41	224	8.82	288	11.33	256	10.08	*	*	*
700	27.56	705	27.75	576	22.67	224	8.82	352	13.86	256	10.08	*	*	*

Packing Unit: **10 pair per box**

***on request**