

# FR 777

<b>SLIDE TYPE:</b>	Progressive action full-extension pantry pull-out slide with top slide
<b>MOUNTING:</b>	Floor Mount

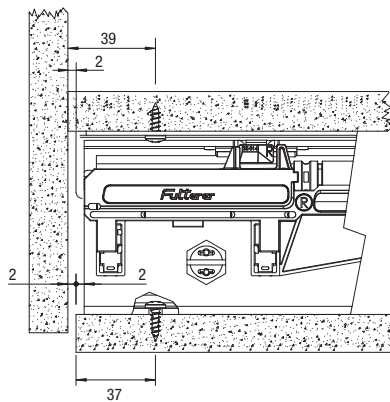
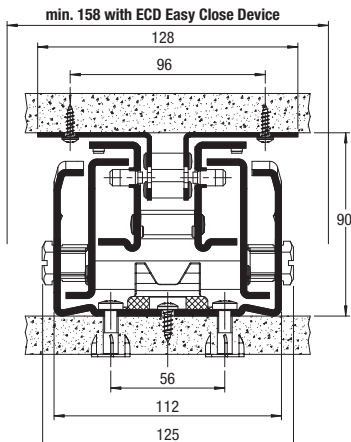
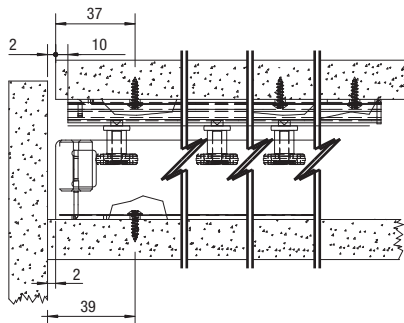
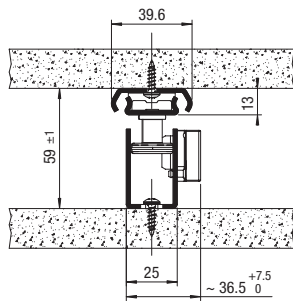
<b>LOAD CAPACITY:</b>	dynamic up to <b>200 kg (450 lbs.)</b>
-----------------------	--



<b>MATERIAL:</b>	top slide: steel, zinc plated bottom slide: steel, white powder coated
------------------	---

<b>FEATURES:</b>	solid delrin* rollers, delrin*- encased steel ball bearings
------------------	--

<b>SPECIFICATIONS:</b>	<ul style="list-style-type: none"> <li>▶ quick and easy installation</li> <li>▶ quiet movement, even under the heaviest loads</li> <li>▶ horizontal and vertical adjustment</li> <li>▶ top slide for absolute lateral stability</li> <li>▶ LGA-tested according to DIN 4554 standard at 50,000 double cycles</li> <li>▶ back stop</li> </ul>
------------------------	--



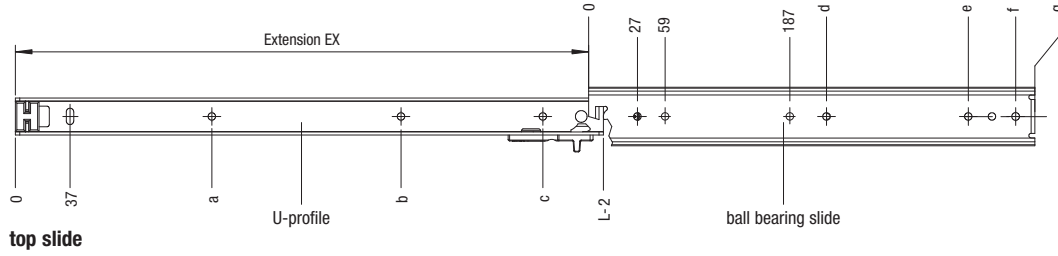
<b>NOTES:</b>	<ul style="list-style-type: none"> <li>▶ also available as FR777.ECD with easy close device (ECD) integrated (top and bottom slide)</li> <li>▶ Do not lubricate any part of the slide!</li> </ul>
---------------	---

\*DuPont (TM) Delrin®

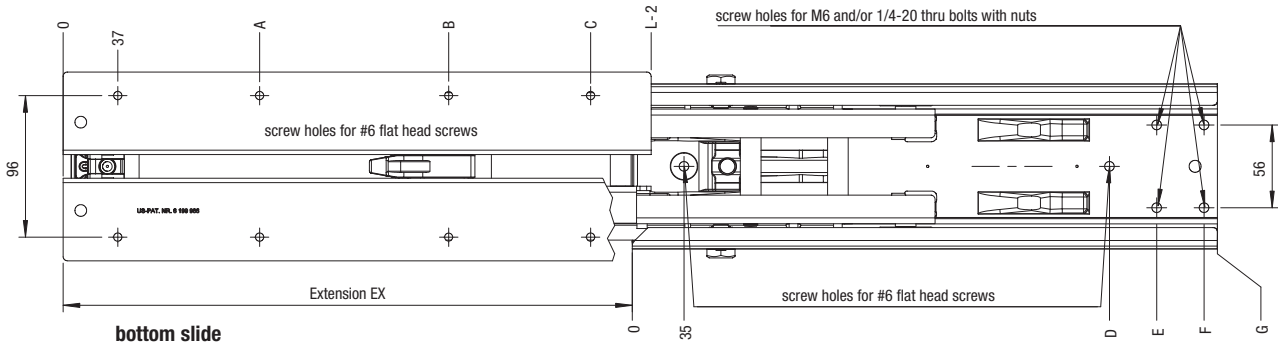
# FR 777

<b>SLIDE TYPE:</b>	Progressive action full-extension pantry pull-out slide with top slide
<b>MOUNTING:</b>	Floor Mount

<b>LOAD CAPACITY:</b>	dynamic up to <b>200 kg (450 lbs.)</b>
-----------------------	--



Length L		Extension EX		a		b		c		L-2		d		e		f		g	
mm	in	mm	in	mm	in	mm	in	mm	in	mm	in	mm	in	mm	in	mm	in	mm	in
400	15.74	384	15.12	133	5.24	261	10.28	357	14.06	398	15.67	155	6.10	251	9.88	283	11.14	296	11.65
450	17.72	434	17.09	133	5.24	261	10.28	421	16.57	448	17.64	155	6.10	251	9.88	283	11.14	296	11.65
500	19.69	484	19.06	165	6.50	325	12.80	453	17.83	498	19.61	219	8.62	347	13.66	379	14.92	392	15.43
550	21.65	534	21.02	197	7.76	357	14.06	517	20.35	548	21.57	219	8.62	347	13.66	379	14.92	392	15.43
600	23.62	584	22.99	197	7.76	389	15.31	549	21.61	598	23.54	219	8.62	347	13.66	379	14.92	392	15.43
650	25.59	634	24.96	229	9.02	421	16.57	613	24.13	648	25.51	219	8.62	347	13.66	379	14.92	392	15.43
700	27.55	684	26.93	261	10.28	485	19.09	645	25.39	698	27.48	219	8.62	347	13.66	379	14.92	392	15.43
750	29.53	734	28.90	261	10.28	485	19.09	709	27.91	748	29.45	219	8.62	347	13.66	379	14.92	392	15.43
800	31.50	784	30.87	293	11.54	549	21.61	773	30.43	798	31.42	219	8.62	347	13.66	379	14.92	392	15.43
850	33.47	834	32.83	293	11.54	549	21.61	805	31.69	848	33.39	219	8.62	347	13.66	379	14.92	392	15.43
900	35.43	884	34.80	325	12.80	581	22.87	869	34.21	898	35.35	219	8.62	347	13.66	379	14.92	392	15.43
950	37.40	934	36.77	325	12.80	613	24.13	901	35.47	948	37.32	219	8.62	347	13.66	379	14.92	392	15.43
1000	39.37	984	38.74	325	12.80	645	25.39	965	38.00	998	39.29	219	8.62	347	13.66	379	14.92	392	15.43
1100	43.31	1084	42.68	389	15.31	741	29.17	1061	41.77	1098	43.23	219	8.62	347	13.66	379	14.92	392	15.43

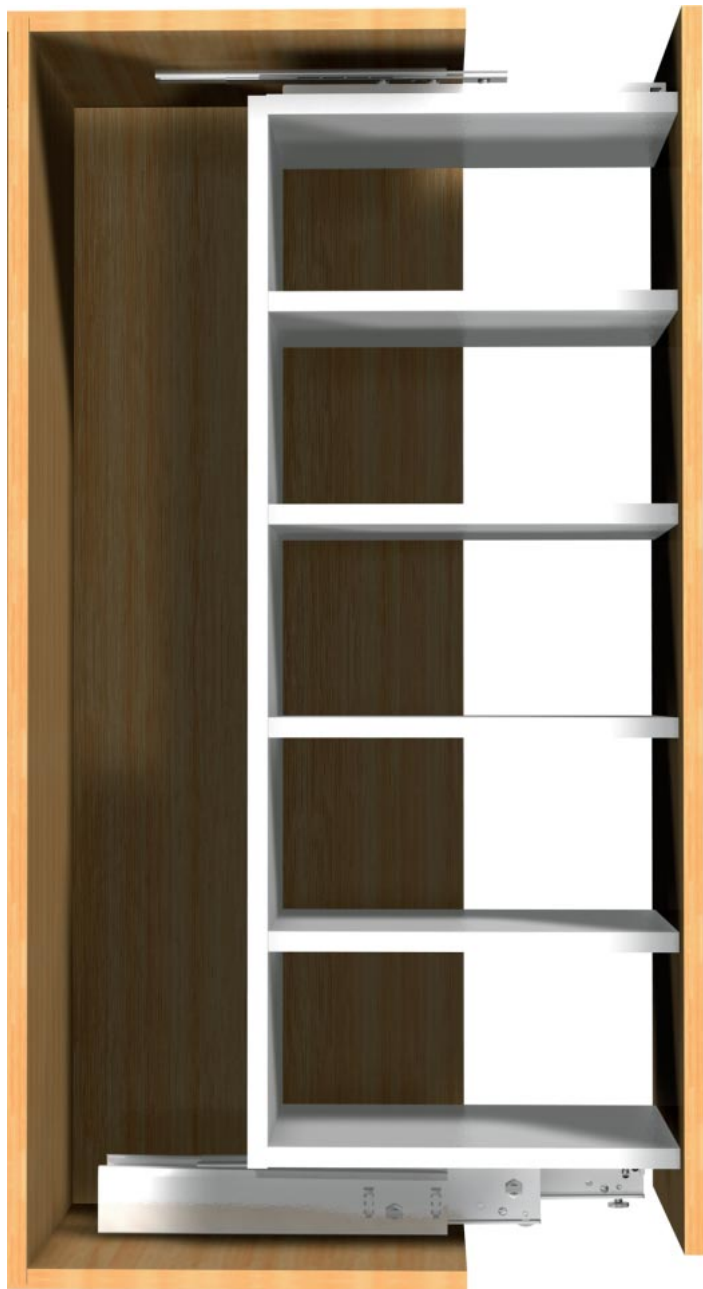


Length L		Extension EX		A		B		C		L-2		D		E		F		G		Weight per set		Order No.
mm	in	mm	in	mm	in	mm	in	mm	in	mm	in	mm	in	mm	in	mm	in	mm	in	kg	lbs	white
400	15.74	384	15.12	133	5.24	261	10.28	357	14.06	398	15.67	355	13.98	387	15.24	396	15.59	9.31	20.53			<b>7720</b>
450	17.72	434	17.09	133	5.24	261	10.28	421	16.57	448	17.64	387	15.24	419	16.50	446	17.56	10.30	22.71			<b>7721</b>
500	19.69	484	19.06	165	6.50	325	12.80	453	17.83	498	19.61	419	16.50	451	17.76	496	19.53	11.32	24.96			<b>7722</b>
550	21.65	534	21.02	197	7.76	357	14.06	517	20.35	548	21.57	483	19.02	515	20.28	546	21.50	12.39	27.32			<b>7723</b>
600	23.62	584	22.99	197	7.76	389	15.31	549	21.61	598	23.54	515	20.28	547	21.54	596	23.46	13.36	29.45			<b>7724</b>
650	25.59	634	24.96	229	9.02	421	16.57	613	24.13	648	25.51	579	22.80	611	24.06	646	25.43	14.55	32.08			<b>7725</b>
700	27.55	684	26.93	261	10.28	485	19.09	645	25.39	698	27.48	547	21.54	611	24.06	643	25.31	15.46	34.08			<b>7726</b>
750	29.53	734	28.90	261	10.28	485	19.09	709	27.91	748	29.45	579	22.80	675	26.57	707	27.83	16.45	36.27			<b>7727</b>
800	31.50	784	30.87	293	11.54	549	21.61	773	30.43	798	31.42	643	25.31	739	29.09	771	30.35	17.67	38.96			<b>7728</b>
850	33.47	834	32.83	293	11.54	549	21.61	805	31.69	848	33.39	675	26.57	771	30.35	803	31.61	18.65	41.12			<b>7729</b>
900	35.43	884	34.80	325	12.80	581	22.87	869	34.21	898	35.35	707	27.83	835	32.87	867	34.13	19.64	43.30			<b>7730</b>
950	37.40	934	36.77	325	12.80	613	24.13	901	35.47	948	37.32	739	29.09	867	34.13	899	35.39	20.63	45.48			<b>7731</b>
1000	39.37	984	38.74	325	12.80	645	25.39	965	38.00	998	39.29	771	30.35	931	36.65	963	37.91	21.11	46.54			<b>7732</b>
1100	43.31	1084	42.68	389	15.31	741	29.17	1061	41.77	1098	43.23	867	34.13	1027	40.43	1059	41.69	23.10	50.93			<b>7733</b>

Packing: 1 set per box (bottom slide, top slide) with instructions

\*DuPont (TM) Delrin®

FR 777



Fulterer