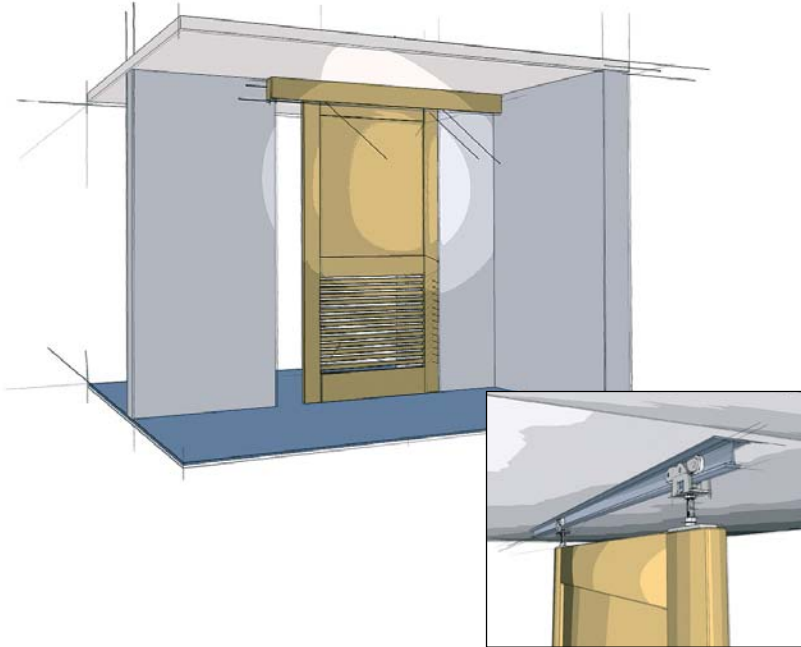


Top Line Grant 1230

up to 325 lbs/door (147 kg/door)

for door thickness 1" (25.4 mm) minimum, top mount, adjustable



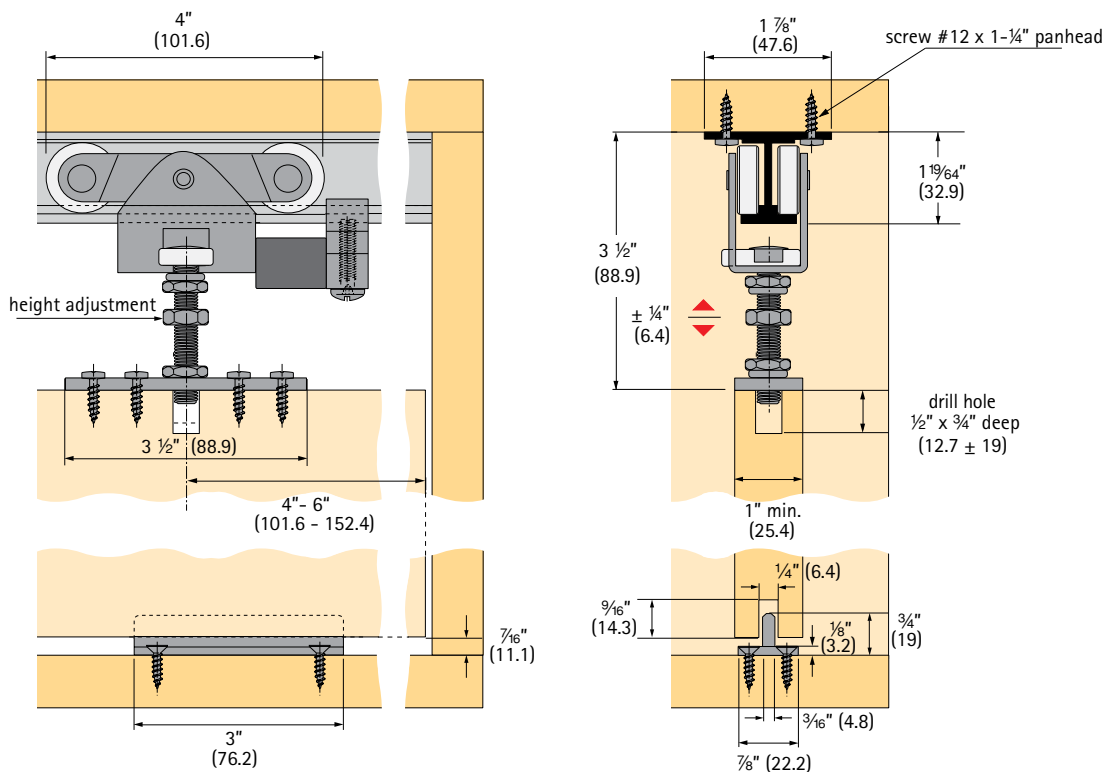
Top Line Grant 1230

A heavy duty commercial and residential grade sliding door hardware series ideal for design applications which require the movement of heavy panels, space dividers or large doors.

- For doors 1" and up weighing up to 325 lbs/door (147 kg/door)
- Precision ball-bearing wheels guarantee a smooth, quiet and effortless operation.
- Four wheel carrier, center hung for efficient operation
- Vertical adjustment 1/2" (12.7 mm)
- Heavy duty aluminum I-beam track; jump proof design
- Conforms to ANSI/BHMA standards, Grade 1
- Made in USA

For by-passing doors mount parallel tracks

For bi-parting doors use an additional set of hardware



Technical specifications are subject to change without notice

Specifications:
 Mounting: Top
 Adjustment: 1/2" (12.7 mm) vertical
 Door thickness: 1" (25.4 mm) min.
 Headroom: 3 1/4" (82.5 mm) min., 3 3/4" (95.2 mm) max.
 Application: Single, bi-parting, by-passing

Top Line Grant 1230 door hardware is available in four purchasing options

Option I
 Complete package: includes track, hardware set, and all screws

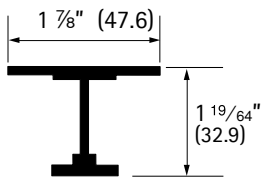
Hardware and track

| Length | Order no. | PU |
|---------------|-----------|--------|
| 5' (1500 mm) | 113 327 9 | 5 sets |
| 6' (1800 mm) | 113 328 0 | 5 sets |
| 7' (2100 mm) | 113 328 1 | 5 sets |
| 8' (2400 mm) | 113 418 1 | 5 sets |
| 10' (3000 mm) | 113 328 2 | 5 sets |
| 12' (3600 mm) | 113 328 3 | 5 sets |

For longer track application order hardware set and track separately

Option II
 Track only

Single track 1201
 Aluminum extruded, pre-drilled holes



| Length | Order no. | PU |
|---------------|-----------|----|
| 4' (1200 mm) | 050 121 | 5 |
| 5' (1500 mm) | 050 122 | 5 |
| 6' (1800 mm) | 050 123 | 5 |
| 8' (2400 mm) | 050 124 | 5 |
| 10' (3000 mm) | 050 125 | 5 |
| 12' (3600 mm) | 050 126 | 5 |
| 16' (4800 mm) | 050 127 | 5 |

Screws not included - recommend #12 Pan Head

Option III
 Hardware set only

Top Line Grant 1230 hardware set
 (without track)

The hardware set includes:
 2 carriers 1205 precision ball bearings
 1 floor guide 7015
 necessary screws
 installation instructions

| Article | Order no. | PU |
|--------------|-----------|---------|
| Hardware set | 113 327 8 | 10 sets |

Option IV
 Separate components

Top Line Grant 1230 components

Carrier 1205
 Steel, four wheels, precision bearings,
 with pendant and top plate
 Screws included



| Finish | Order no. | PU |
|-------------|-----------|----|
| zinc-plated | 113 327 1 | 10 |

Floor guide 7015
 Zinc diecast
 Dimensions:
 3" x 7/8" x 3/4" (76.2 x 22.2 x 19 mm)
 Screws included



| Finish | Order no. | PU |
|--------|-----------|----|
| N/A | 050 562 | 50 |

Optional parts (not included in set)

Bumper stop 1213
 Aluminum,
 with rubber bumper



| Article | Order no. | PU |
|-------------|-----------|----|
| Bumper stop | 050 140 | 1 |

Continuous floor guide 2014

Aluminum 3/16" (4.7)
 1/2" (12.7)
 7/8" (22.2)
 1/8" (3.2)



| Length | Order no. | PU |
|---------------|-----------|----|
| 6' (1800 mm) | 050 448 | 5 |
| 8' (2400 mm) | 050 449 | 5 |
| 10' (3000 mm) | 050 450 | 5 |
| 12' (3600 mm) | 050 451 | 5 |

Screws not included - recommend #6 Flat Head, pre-drilled holes