

Opening system for handleless furniture fronts with soft closing action

- ▶ Push to open Silent for hinged doors
- ▶ For screwing on



- ▶ For use with concealed Silent System hinges
- ▶ For full and half overlay as well as inset doors
- ▶ For angled applications
- ▶ Large adjustment range of + 4 / - 2 mm
- ▶ Opening movement 1.4 mm
- ▶ Opening distance 45 mm
- ▶ L x W x H (mm): 155 x 60 x 32 (22)
- ▶ Includes 4 AA batteries
- ▶ Material: plastic

Push to open Silent for hinged doors

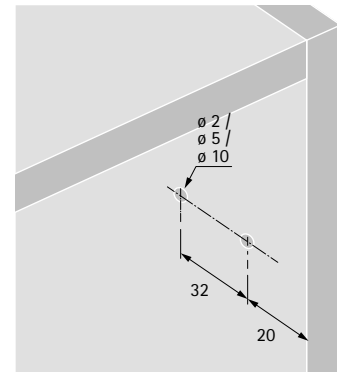
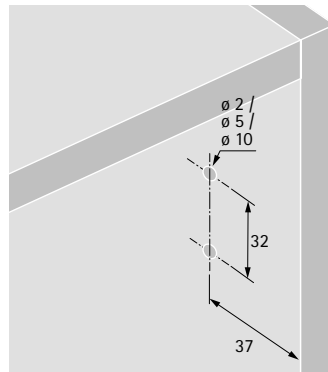
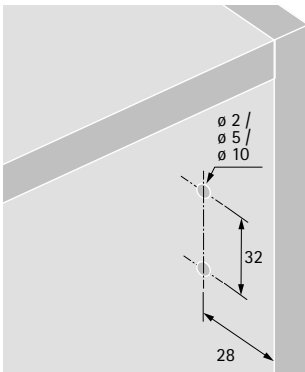


Set comprises:

- ▶ 1 Push to open Silent
- ▶ 1 bag of fixing parts
- ▶ 1 set of installation instructions

Colour	Order no.	PU
anthracite	9 239 087	1 set
white	9 239 088	1 set
grey	9 239 099	1 set

Drilling patterns



Push to open Silent - number per hinged door

The dimensions shown refer to the use of one Push to open Silent in combination with Sensys hinges.

Here, crucial factors are:

- ▶ the number of hinges used
- ▶ the door dimensions as well as
- ▶ the door weight

See diagram

