

Single Door Set

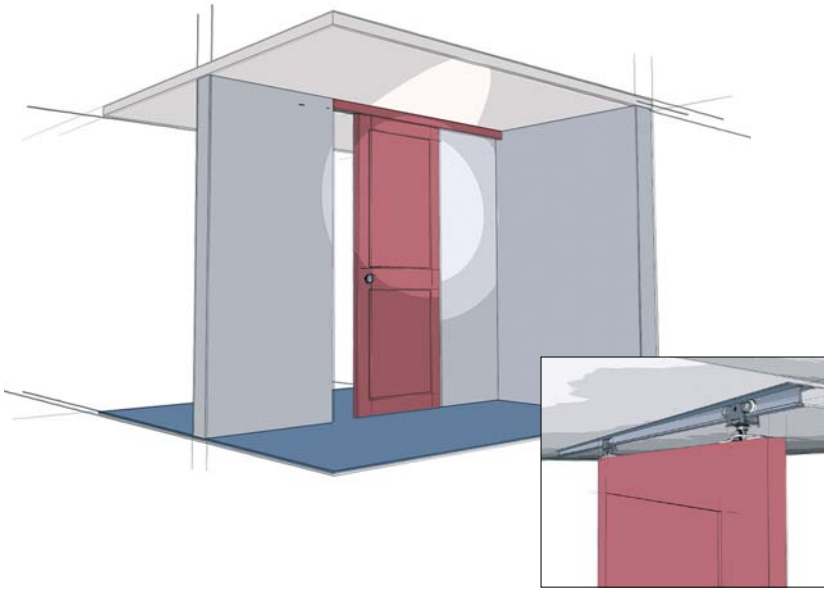
Top Line Grant 71-111

up to 150 lbs/door (68 kg/door)

for door thickness $\frac{3}{4}$ " (19 mm) minimum, top mount, non-adjustable



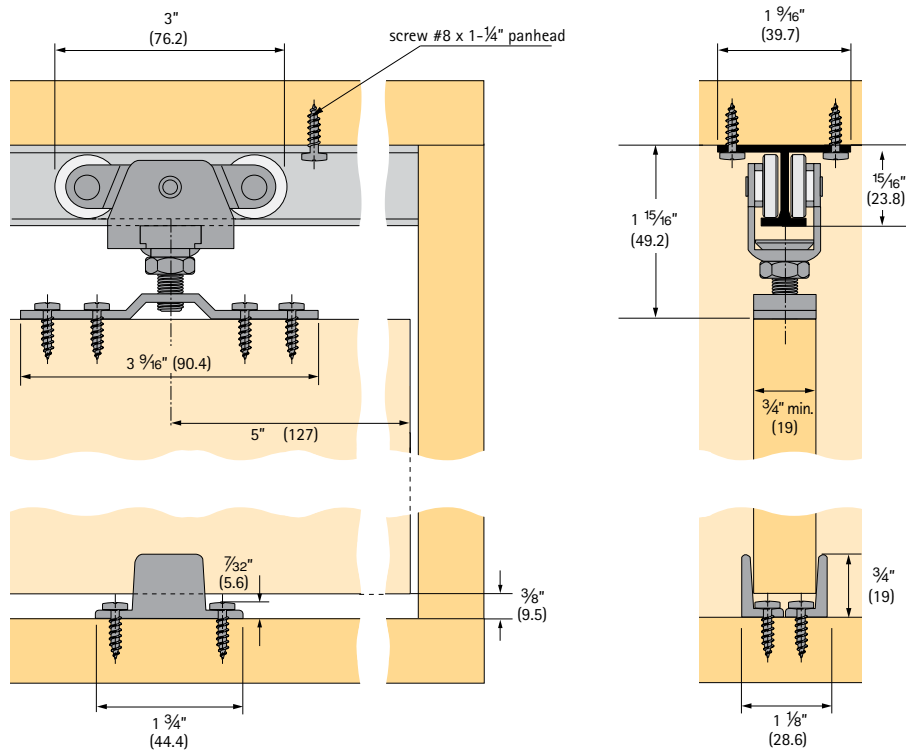
Made in USA



Top Line Grant 71-111

A medium duty commercial and residential grade sliding door hardware series ideal for single and bi-parting installations. Applications include doors between rooms, closet doors, cabinets, storage walls, and partitions.

- For doors $\frac{3}{4}$ " and up weighing up to 150 lbs (68 kg), optional nylon wheel carrier up to 100 lbs (45 kg)
- Precision ball-bearing wheels guarantee a smooth, quiet and long lasting performance.
- Non-adjustable
- Heavy duty aluminum I-beam track; jump proof design
- Pivoting rocker arms ensure track-carrier contact.
- Ball and socket suspension compensates for minor header misalignment.
- Lock nut guarantees permanent positioning.
- Conforms to ANSI/BHMA standards, Grade 1
- Made in USA



Technical specifications are subject to change without notice

Specifications:

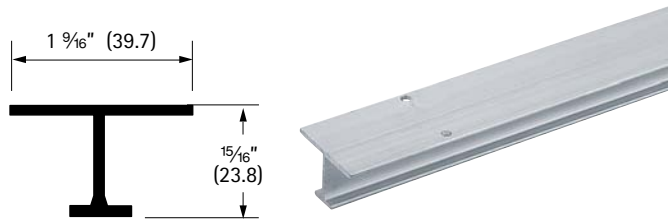
Mounting: Top
 Adjustment: None
 Door thickness: 3/4" (19 mm) min.
 Headroom: 1 15/16" (49.2 mm)
 Application: Single & bi-parting

Top Line Grant 71 – 111 door hardware is available in two purchasing options (not available in sets)

Option I
Track only

Single track 7001

Aluminum extruded, pre-drilled holes



Length	Order no.	PU
4' (1200 mm)	050 519	5
5' (1500 mm)	050 520	5
6' (1800 mm)	050 521	5
8' (2400 mm)	050 522	5
10' (3000 mm)	050 523	5
12' (3600 mm)	050 524	5
16' (4800 mm)	050 525	5

Screws not included - recommend #8 Pan Head
 Tracks 8' and under are notched at one end for easy access

Option II
Separate components

Top Line Grant 71–111 components**Carrier 7000 ball bearing**

Steel, precision ball bearing wheels,
up to 150 lbs/door (68 kg/door)



Finish	Order no.	PU
zinc-plated	113 333 9	100

Carrier 7000 nylon

Steel, wheel nylon,
up to 100 lbs/door (45 kg/door)



Finish	Order no.	PU
zinc-plated	113 333 8	100

Top plate 7111

Steel, with pendant bolt,
non adjustable

Screws included



Finish	Order no.	PU
zinc-plated	050 564	100

Floor guide 110

Nylon, sold in pairs

Screws included



Finish	Order no.	PU
N/A	050 101	50 sets

Bumper stop 7014

Steel, track mounted,
rubber stop, 2 required per track



Finish	Order no.	PU
zinc-plated	050 561	20