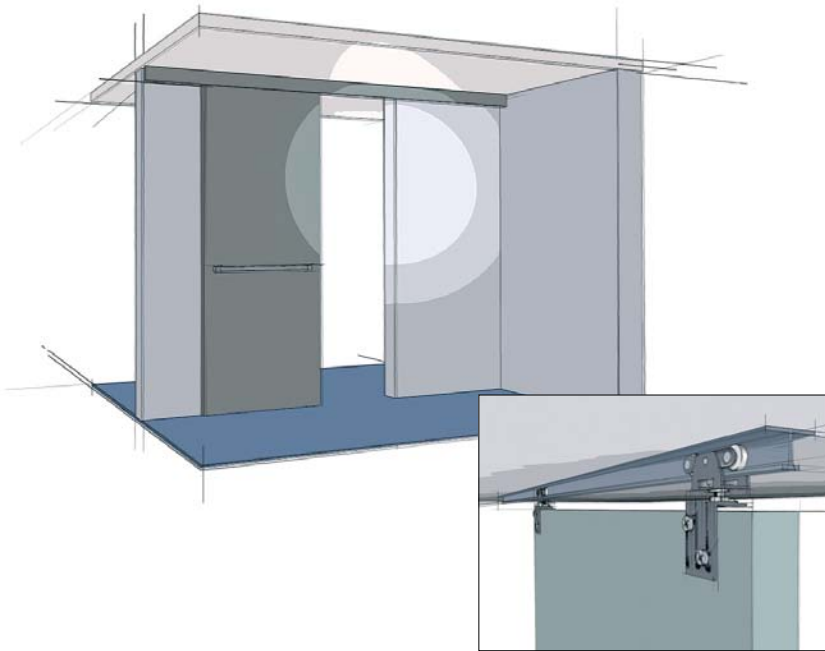


# Single Door Set

## Top Line Grant 71-138

up to 150 lbs/door (68 kg/door)

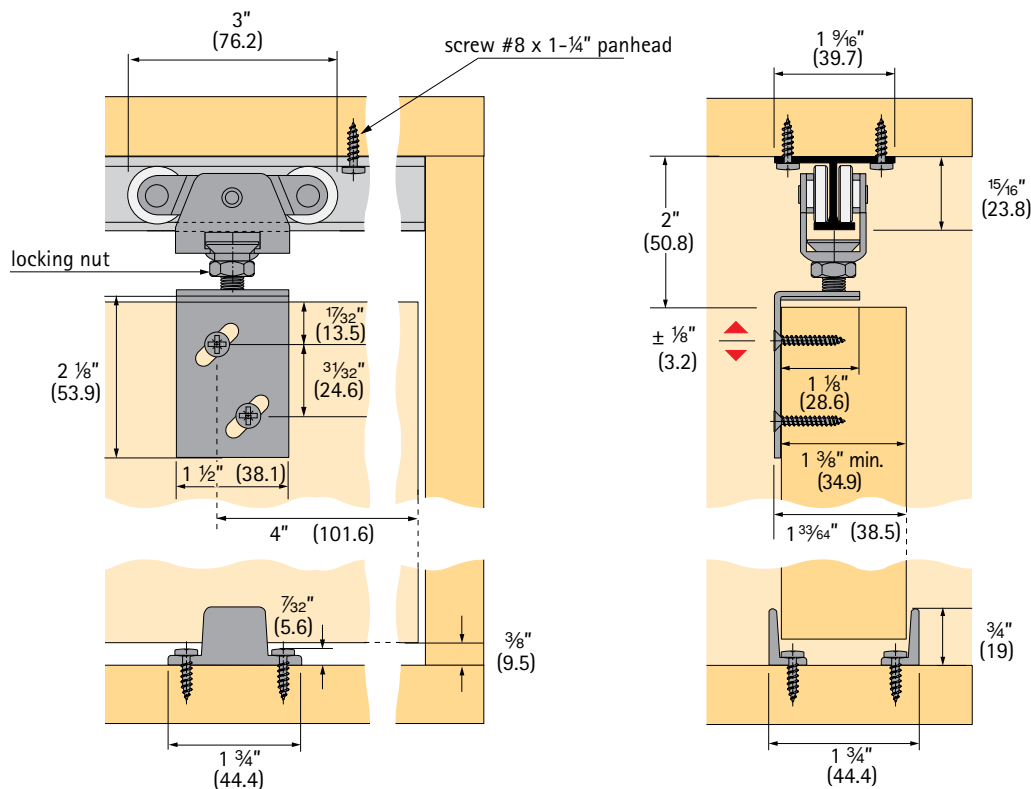
for door thickness 1 3/8" (34.9 mm) minimum, side mount, adjustable



### Top Line Grant 71-138

A medium duty commercial and residential grade sliding door hardware series ideal for single and bi-parting installations. Applications include doors between rooms, closet doors, cabinets, storage walls, and partitions.

- For doors 1 3/8" and up weighing up to 150 lbs (68 kg), optional nylon wheel carrier up to 100 lbs (45 kg)
- Precision ball-bearing wheels guarantee a smooth, quiet and long lasting performance.
- Heavy duty aluminum I-beam track; jump proof design
- Pivoting rocker arms ensure track-carrier contact.
- Ball and socket suspension compensates for minor header misalignment.
- Lock nut guarantees permanent positioning.
- Serrations in apron permit vertical adjustment.
- Conforms to ANSI/BHMA standards, Grade 1
- Made in USA



Technical specifications are subject to change without notice

**Specifications:**

Mounting: Side  
 Adjustment: ¼" (6.4 mm) vertical  
 Door thickness: 1⅜" (34.9 mm) min.  
 Headroom: 1⅞" (47.6 mm) min., 2⅞" (53.9 mm) max.  
 Application: Single & bi-parting

**Top Line Grant 71 – 138 door hardware is available in four purchasing options**

**Option I**

Complete package: includes track, hardware set, and all screws

**Hardware and track**

Article	Order no.	PU
6' (1800 mm)	113 334 4	5 sets

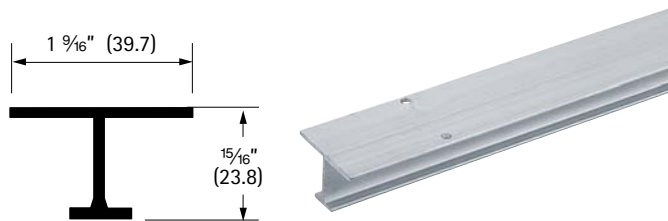
For longer track application order hardware set and track separately

**Option II**

Track only

**Single track 7001**

Aluminum extruded, pre-drilled holes



Length	Order no.	PU
4' (1200 mm)	050 519	5
5' (1500 mm)	050 520	5
6' (1800 mm)	050 521	5
8' (2400 mm)	050 522	5
10' (3000 mm)	050 523	5
12' (3600 mm)	050 524	5
16' (4800 mm)	050 525	5

Screws not included - recommend #8 Pan Head  
 Tracks 8' and under are notched at one end for easy access

**Option III**

Hardware set only

**Top Line Grant 71 – 138 hardware set (without track)**

The hardware set includes:  
 2 carriers 7000 precision ball bearing wheels  
 2 aprons 7138  
 1 floor guide 110  
 1 wrench  
 necessary screws  
 installation instructions

Article	Order no.	PU
Hardware set	113 334 3	10 sets

**Option IV**

Separate components

**Top Line Grant 71 – 138 components**

**Carrier 7000 ball bearing**

Steel, precision ball bearing wheels, up to 150 lbs/door (68 kg/door)



Finish	Order no.	PU
zinc-plated	113 333 9	100

**Apron 7138**

Cold rolled steel, adjustable, 1 ⅞" offset

Screws included



Finish	Order no.	PU
zinc-plated	050 565	100

**Floor guide 110**

Nylon, sold in pairs

Screws included



Finish	Order no.	PU
N/A	050 101	50 sets

**Optional parts (not included in set)**

**Carrier 7000 nylon**

Steel, wheel nylon, up to 100 lbs/door (45 kg/door)

Screws included



Finish	Order no.	PU
zinc-plated	113 333 8	100

**Bumper stop 7014**

Steel, track mounted, rubber stop, 2 required per track



Finish	Order no.	PU
zinc-plated	050 561	20