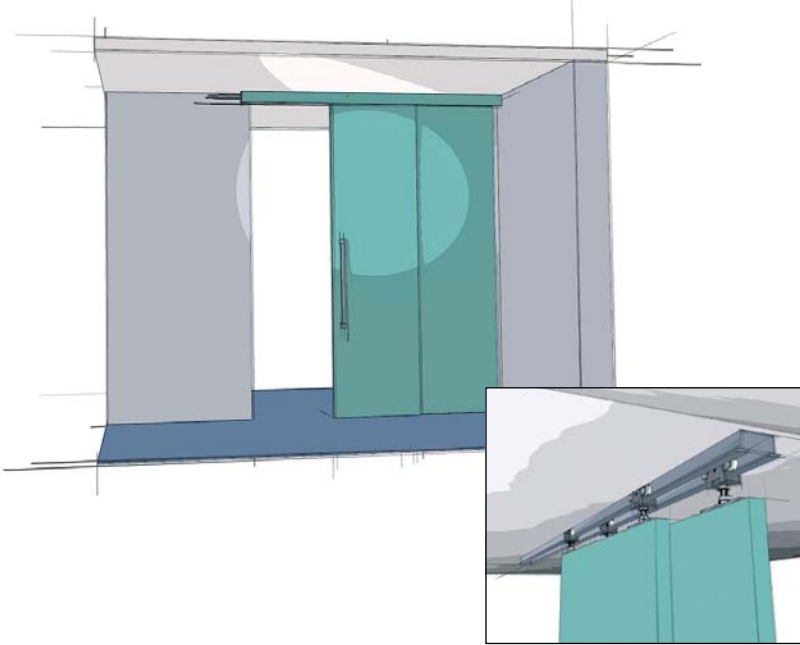


# Top Line Grant 72-222

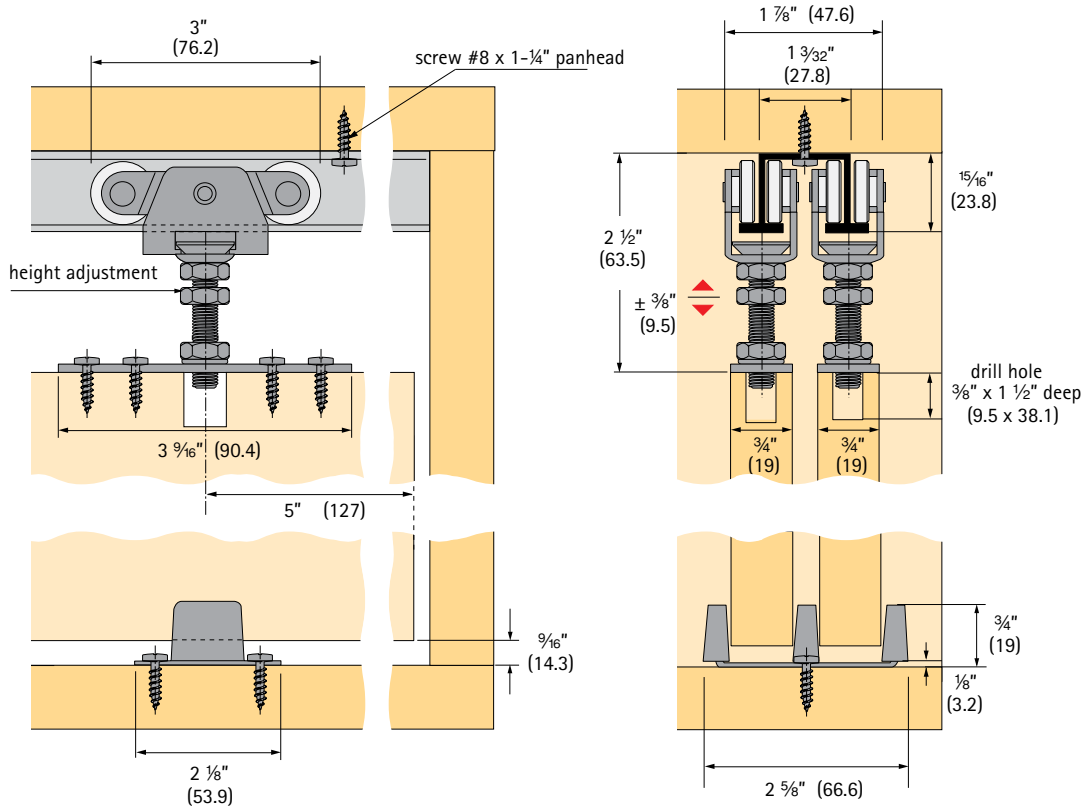
up to 150 lbs/door (68 kg/door), double track  
for door thickness  $\frac{3}{4}$ " (19 mm), top mount, adjustable



## Top Line Grant 72-222

A medium duty commercial and residential grade sliding door hardware series ideal for by-passing installations. Applications include doors between rooms, closet doors, cabinets, storage walls and partitions.

- For  $\frac{3}{4}$ " doors weighing up to 150 lbs (68 kg), optional nylon wheel carrier up to 100 lbs (45 kg)
- High quality precision ball-bearing wheels for quiet and effortless performance
- Heavy duty aluminum Double I-beam track; jump proof design
- Pivoting rocker arms ensure track-carrier contact.
- Ball and socket suspension compensates for minor header misalignment.
- Lock nut guarantees permanent positioning.
- Vertical adjustment  $\frac{3}{4}$ " (19.1 mm)
- Conforms to ANSI/BHMA standards, Grade 1
- Made in USA



Technical specifications are subject to change without notice

**Specifications:**

Mounting: Top  
 Adjustment:  $\frac{3}{4}$ " (19.1 mm) vertical  
 Door thickness:  $\frac{3}{4}$ " (19 mm)  
 Headroom:  $2\frac{1}{8}$ " (53.9 mm) min.,  $2\frac{7}{8}$ " (73 mm) max.  
 Application: By-passing

**Top Line Grant 72-222 door hardware is available in four purchasing options****Option I**

Complete package: includes track, hardware set, and all screws

**Hardware and track**

Length	Order no.	PU
4' (1200 mm)	113 336 9	5 sets
5' (1500 mm)	113 337 0	5 sets
6' (1800 mm)	113 337 1	5 sets
8' (2400 mm)	113 337 2	5 sets

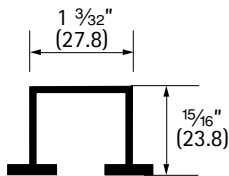
For longer track application order hardware set and track separately

**Option II**

Track only

**Double track 7002**

Aluminum extruded, pre-drilled holes



Length	Order no.	PU
4' (1200 mm)	050 526	5
5' (1500 mm)	050 527	5
6' (1800 mm)	050 528	5
8' (2400 mm)	050 529	5
10' (3000 mm)	050 530	5
12' (3600 mm)	050 531	5
16' (4800 mm)	050 532	5

Screws not included - recommend #8 Pan Head

Tracks 8' and under are notched at one end for easy access

**Option III**

Hardware set only

**Top Line Grant 72-222 hardware set**  
(without track)

The hardware set includes:

- 4 carriers 7000 precision ball bearing wheels
- 4 top plates 7222
- 1 floor guide 116
- 1 wrench
- necessary screws
- installation instructions

Article	Order no.	PU
Hardware set	113 336 8	10 sets

**Option IV**

Separate components

**Top Line Grant 72-222 components****Carrier 7000 ball bearing**

Steel, precision ball bearing wheels, up to 150 lbs/door (68 kg/door)



Finish	Order no.	PU
zinc-plated	113 333 9	100

**Top plate 7222**

with pendant bolt, steel, adjustable

Screws included



Finish	Order no.	PU
zinc-plated	050 566	100

**Floor guide 116**

Steel/Nylon

Screws included



Finish	Order no.	PU
zinc-plated	050 103	50

**Optional parts (not included in set)****Carrier 7000 nylon**

Steel, wheel nylon, up to 100 lbs/door (45 kg/door)



Finish	Order no.	PU
zinc-plated	113 333 8	100

**Bumper stop 7014**

Steel, track mounted, rubber stop, 2 required per track



Finish	Order no.	PU
zinc-plated	050 561	20