

CIB/VIB SERIES

PULLOUT IRONING BOARD

Rev-A-Shelf has ironed out the inconvenience of storing and setting up that bulky ironing board with the introduction of its CIB/VIB Series. The uniquely designed expandable frames mount easily in a closet between panels or in a vanity drawer between cabinet sides from 14¼" to 21" wide and the fixed brackets allow for easy mounting of all standard drawer fronts. They feature chrome finishes and unique ball-bearing slide systems that provide sufficient over travel for maximum utilization. Simply open until the gravity lock engages, unfold board and you are ready to iron!



CIB-16CR

Perfect application to do quick touch-up ironing before work or a night on the town.



CIB-16CR

SURFACE AREA

VIB-20CR (Vanity Cabinet)		CIB-16CR (Closet Model)	
WIDTH	LENGTH	WIDTH	LENGTH
11.8" 300 mm	37.7" 957 mm	11.8" 300 mm	29.2" 742 mm

CLOSET ACCESSORIES



PRODUCT #s	DESCRIPTION	PRODUCT DIMENSIONS	FINISH	SET PER CARTON	WEIGHT PER CARTON	SUGGESTED LIST PRICE
						Individual Pack
CIB-16CR	Fold Out Ironing Board	See drawings for detailed specifications.	Chrome	1	17 lbs.	\$190.25
RAS-CIB COVER-R-52	Replacement Cover (Closet)		Silver	1	.4 lbs.	\$20.30
VIB-20CR	Fold Out Ironing Board	See drawings for detailed specifications.	Chrome	1	19 lbs.	\$258.85
RAS-VIB COVER-52	Replacement Cover (Vanity)		Silver	1	.4 lbs.	\$20.60

Order online at www.OVISONline.com/ras
 Please Note: Some items shown may not be in stock, but can be special ordered

OVIS
 A Division of WIM Corp. www.OVISONline.com
 ©230 Jack Burlingame Dr. Millwood, WV 25262
 800-326-6847 Phone
 800-755-0856 Fax





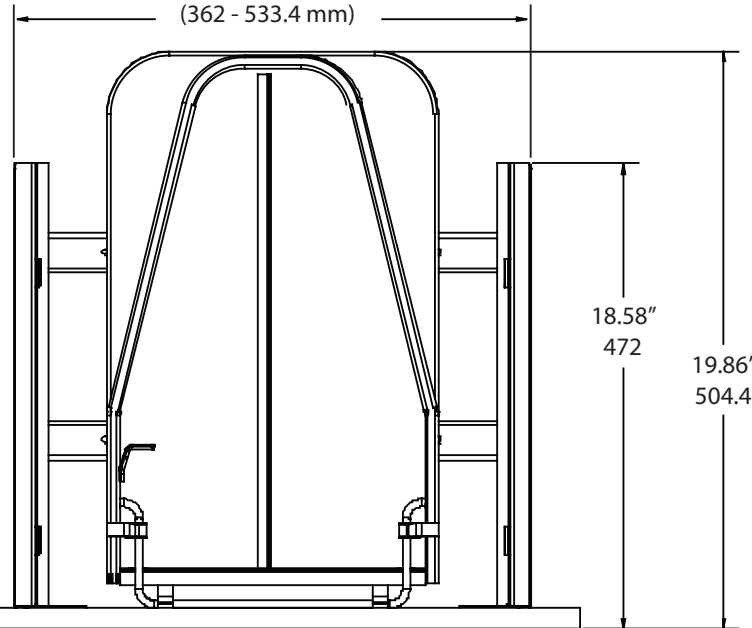
VIB-20CR



VIB-20CR

Maximum counter overlay of 1-1/2" recommended.

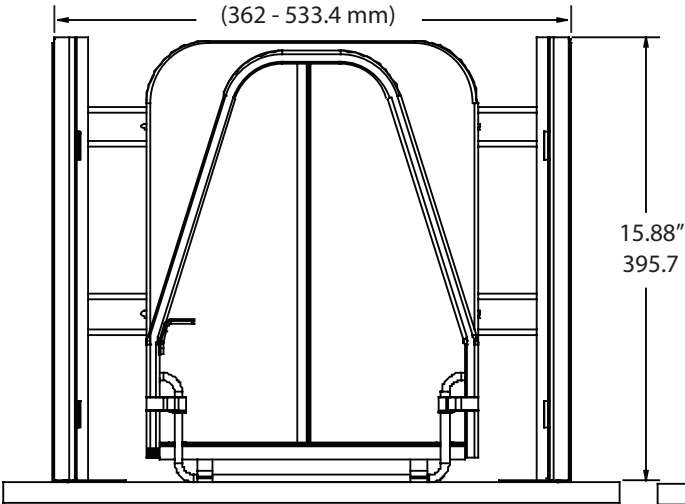
14.25" - 21" (Adjustable Width)
(362 - 533.4 mm)



CLOSET
ACCESSORIES



14.25" - 21" (Adjustable Width)
(362 - 533.4 mm)



Height = 4" (102 mm)
MIN OPENING: Height = 3.67" (93.22 mm)

Height = 4" (102 mm)
MIN OPENING: Height = 3.67" (93.22 mm)

Closet Model (CIB-16CR)

Bathroom/Laundry Model (VIB-20CR)

Order online at www.OVISONline.com/ras
Please Note: Some items shown may not be in stock, but can be special ordered

OVIS
A Division of WIM Corp. www.OVISONline.com
©230 Jack Burlingame Dr.
Millwood, WV 25262
800-326-6847 Phone
800-755-0856 Fax

