

Optimat

Face Frame Hinges



Optimat 3E

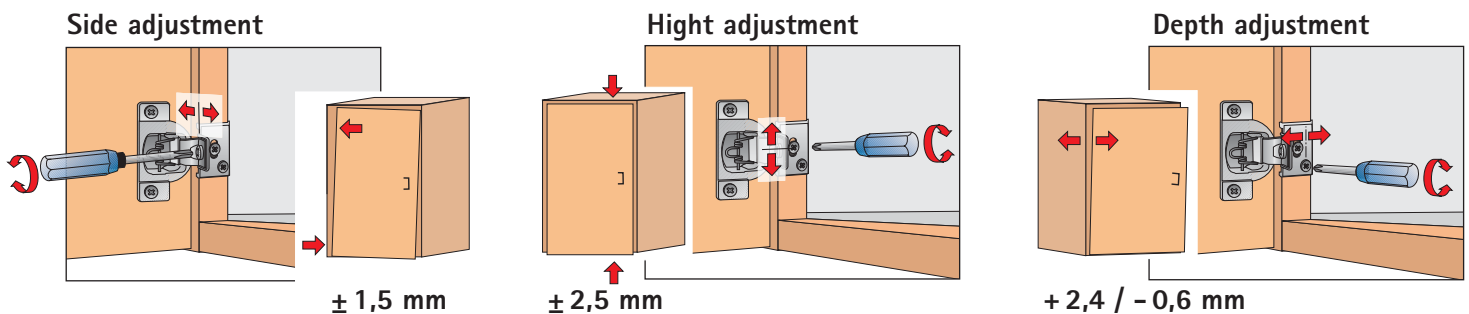
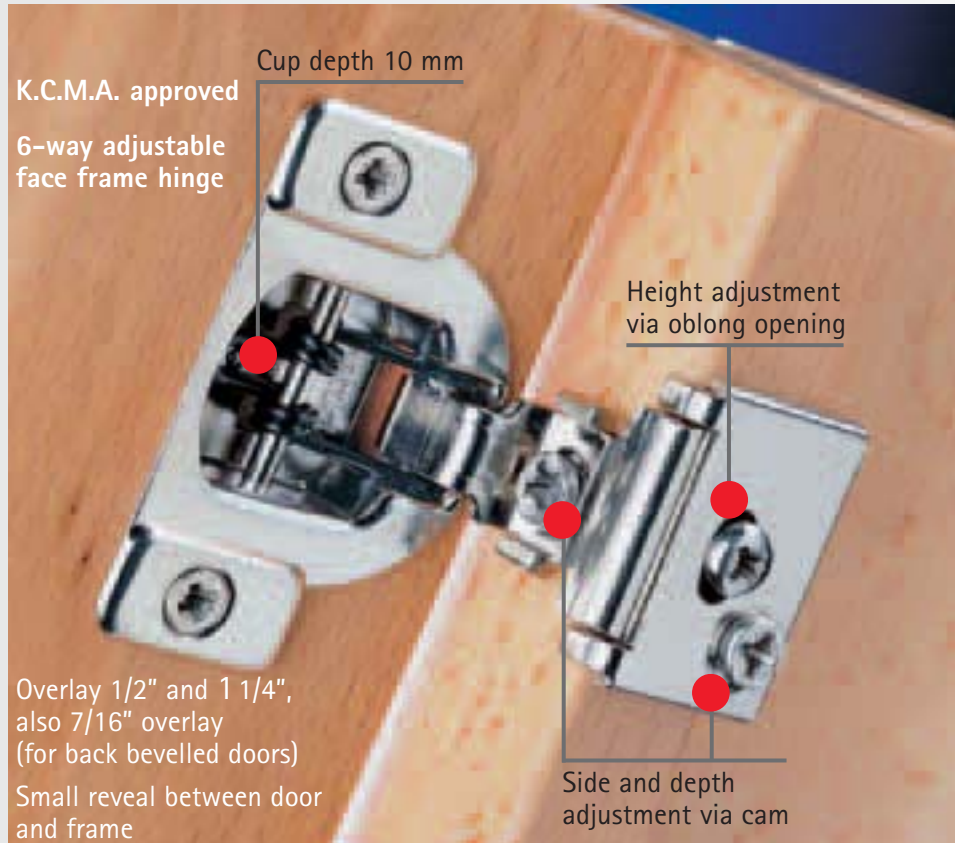
Hinge technology for face frame furniture of the highest order

The new Optimat 3E complements the Optimat hinge family. The height, side, and depth adjustment options via the oblong opening bring big benefits. doors can be adjusted easily and quickly in six directions. Even after years of use, the doors can be easily adjusted. Solid wood doors warp over time and a larger reveal is required.

The Optimat 3E makes this adjustment simple, a definite bonus for the end user.

The attractive features of the Optimat 3E include the small 10 mm cup depth and the prospect of a minimum reveal between the door and the frame.

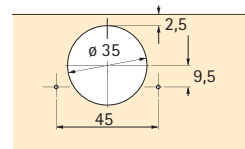
The Optimat 3E is K.C.M.A. approved.



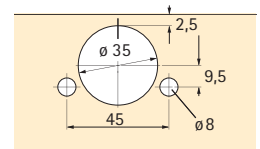
Optimat 3E 6-way face frame hinge



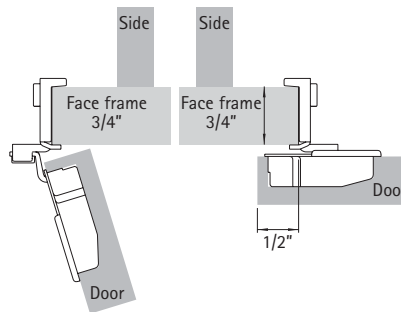
Opening angle: 110°
 Drilling diameter: 35 mm
 Cup distance C: 2,5 mm
 Cup depth: 10,0 mm
 Depth adjustment: +2,4 mm/-0,6 mm
 Side adjustment: +1,5 mm/-1,5 mm
 Height adjustment: +2,5 mm/-2,5 mm



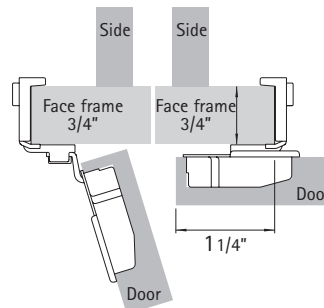
Screw-on T42/10



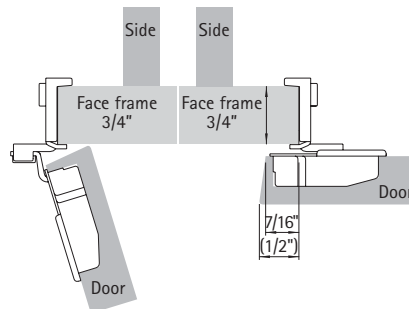
Press-in T43/10



Article	T 42/10 – Order no.	T 43/10 – Order no.	PU
Optimat 3E – 6-way face frame hinge Overlay 1/2"	9 046 669	9 040 499	200



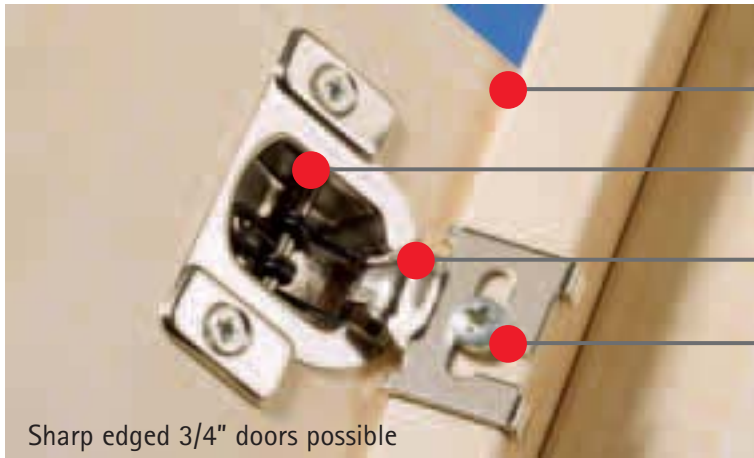
Article	T 42/10 – Order no.	T 43/10 – Order no.	PU
Optimat 3E – 6-way face frame hinge Overlay 1 1/4"	9 046 671	9 040 500	200



Article	T 42/10 – Order no.	T 43/10 – Order no.	PU
Optimat 3E – 6-way face frame hinge Overlay 7/16"	available on request	9 040 498	200

Optimat 3

One piece face frame hinge



Just 1/8" Gap between frame and door

Cup depth just 10 mm

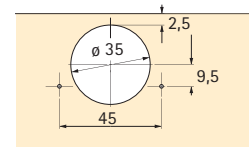
Solid steel construction

Height adjustment $\pm 7,5$ mm

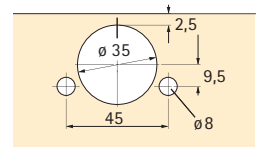
Sharp edged 3/4" doors possible



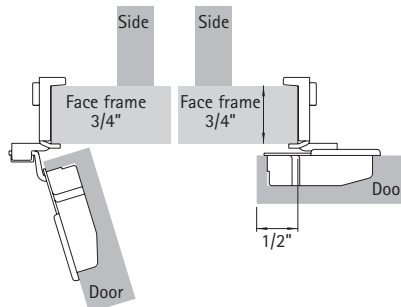
Opening angle: 110°
 Drilling diameter: 35 mm
 Cup distance C: 2,5 mm
 Cup depth: 10,0 mm
 Height adjustment: +7,5 mm/-7,5 mm



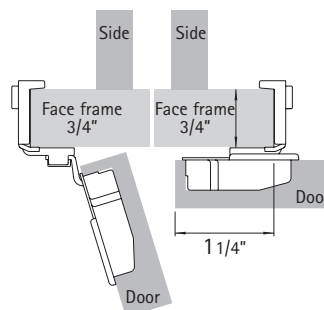
Screw-on TB 42



Press-in TB 43



Article	TB 42 – Order no.	TB 43 – Order no.	PU
Optimat 3 – One piece face frame hinge Overlay 1/2"	1 076 811	1 076 814	200



Article	T 42/10 – Order no.	T 43/10 – Order no.	PU
Optimat 3 – One piece face frame hinge Overlay 1 1/4"	1 076 812	1 076 815	200