

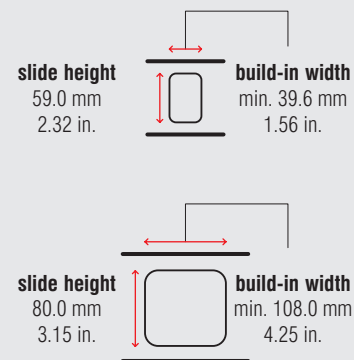
Specifications

- floor mount
- min. 108 mm / 4.25 in.
min. 135 mm / 5.31 in. (ECD)
- dynamic up to 120 kg / 265 lbs.
- solid synthetic rollers,
synthetic encased steel ball bearings
- steel, powder coated

Characteristics

- deflection in extended and loaded position maximum 5 mm (0.20 in.)
- quick and easy installation through patented slide-on system
- integrated lateral and height adjustment
- Easy Close Device FR 771A ECD can be ordered optionally; Item No. 7749
- LGA-tested according to DIN 4554 at 50,000 cycles
- recommended maximal cabinet height: 2,000 mm (78.75 in.)
- recommended maximum cabinet width: 500 mm (19.69 in.)

Dimensions



| Length | | Extension | | Weight | | Item No. |
|--------|-------|-----------|-------|---------|-------|-----------------------|
| | | | | per set | | pure white |
| mm | inch | mm | inch | kg | lbs. | |
| 400 | 15.75 | 384 | 15.12 | 6.85 | 15.10 | 7741 |
| 430 | 16.93 | 414 | 16.30 | * | * | * |
| 450 | 17.72 | 434 | 17.09 | 7.52 | 16.58 | 7742 |
| 480 | 18.90 | 464 | 18.27 | * | * | * |
| 500 | 19.69 | 484 | 19.06 | 8.38 | 18.47 | 7743 |
| 550 | 21.65 | 534 | 21.02 | 9.05 | 19.96 | 7744 |
| 575 | 22.64 | 559 | 22.01 | * | * | 83187 with ECD |
| 600 | 23.62 | 584 | 22.99 | 9.77 | 21.54 | 7745 |
| 650 | 25.59 | 634 | 24.96 | 10.44 | 23.02 | 7746 |
| 700 | 27.56 | 684 | 26.93 | 11.11 | 24.50 | 7747 |
| 750 | 29.53 | 734 | 28.90 | 11.79 | 25.98 | 7748 |

Packing Unit – Sets per Box, all Lengths: 1

* on request