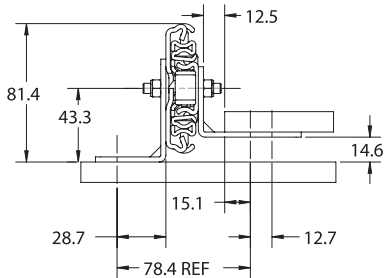
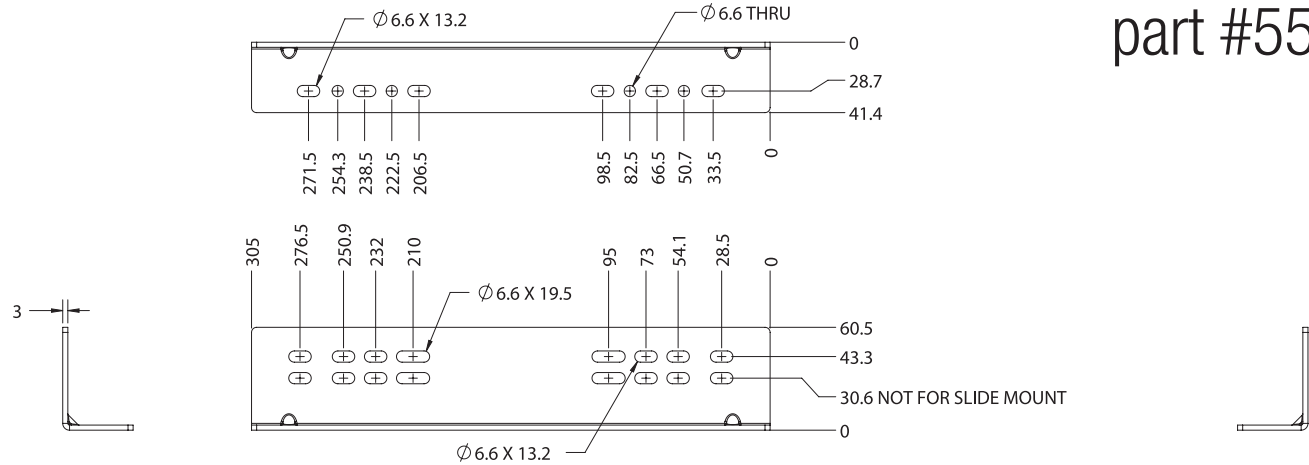
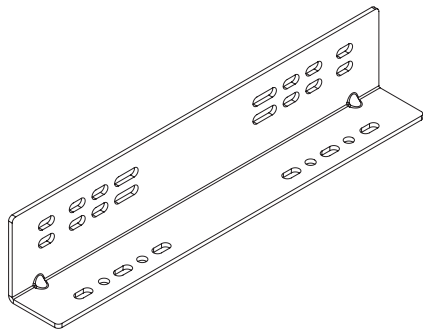


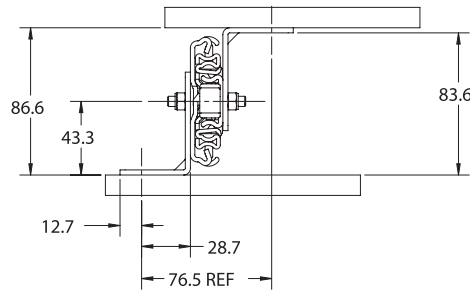
5400.305-04.T018

X

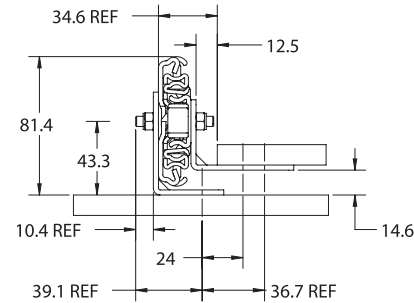
305mm part #5527



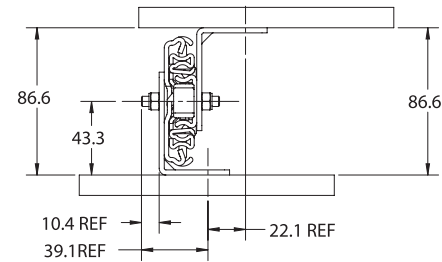
CABINET BRACKET OUT
DRAWER BRACKET DOWN



CABINET BRACKET OUT
DRAWER BRACKET UP



CABINET BRACKET IN
DRAWER BRACKET DOWN



CABINET BRACKET IN
DRAWER BRACKET UP

HARDWARE:

BRACKETS TO SLIDE- USE SUPPLIED M6 BUTTON HEAD 16mm LONG AND M6 LOCK NUT AS SHOWN

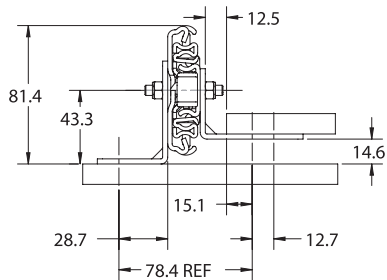
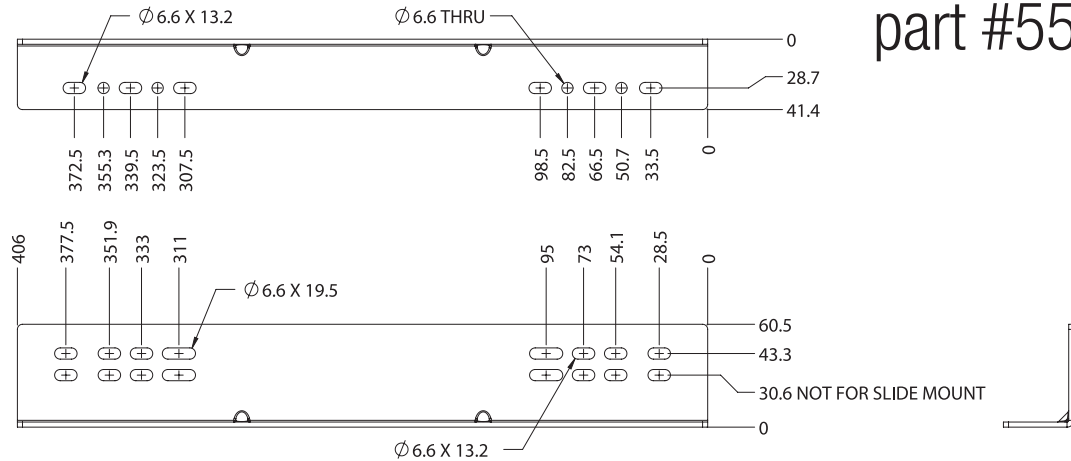
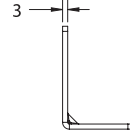
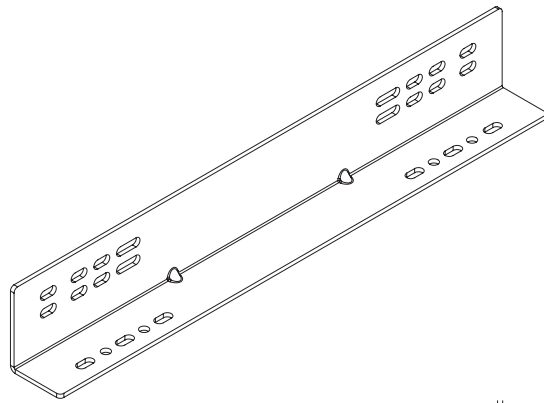
BRACKETS TO CABINET/DRAWER- M6 OR 1/4 INCH SCREWS

general tolerances				DIN ISO 128-30 missing dimensions see 3D = theor. intersection	
ISO 2768-m					
This drawing remains our property and may not be multiplied neither be disclosed to third parties (§§1,3 and 5 from the copyright Act (UrH.G))					
covered according to DIN ISO 16016		scale:	surface:	material, semi finished parts:	
		1:2		STEEL-ZINC PLATED	
		date:	name:	(technical requirements Fulterer)	
		drawn 13-12-2018	HB	description:	
		proven 00-00-0000	00	BRACKET 305MM FR 5400/5400L	
		Fulterer		drawing number:	
				5400.305-04.T018	
		Fulterer AG & Co KG A-6890 Lustenau / Austria		replaces version date:	
		Fulterer AG CH-9430 St. Margrethen			
ind.	changes	date	na.		

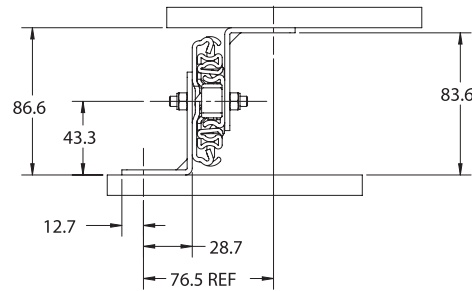
5400.406-04.T018

X

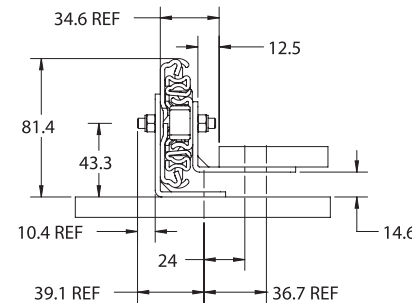
406mm
part #5528



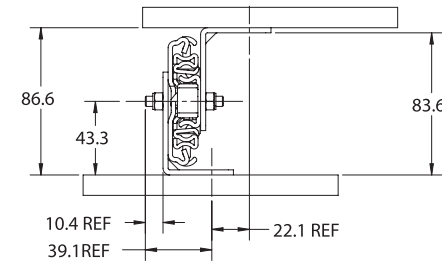
CABINET BRACKET OUT
DRAWER BRACKET DOWN



CABINET BRACKET OUT
DRAWER BRACKET UP



CABINET BRACKET IN
DRAWER BRACKET DOWN



CABINET BRACKET IN
DRAWER BRACKET UP

HARDWARE:

BRACKETS TO SLIDE- USE SUPPLIED M6 BUTTON HEAD 16mm LONG AND M6 LOCK NUT AS SHOWN

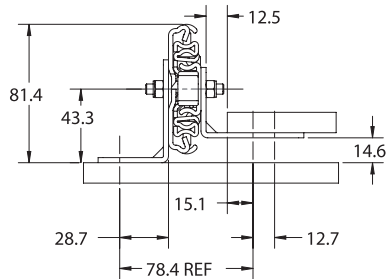
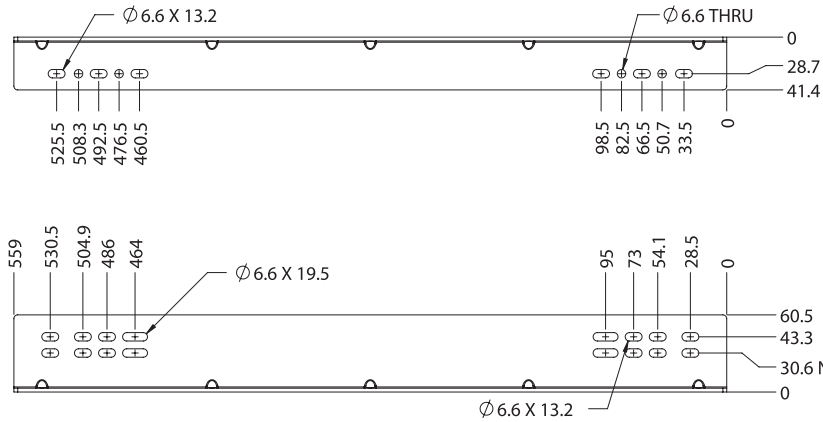
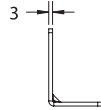
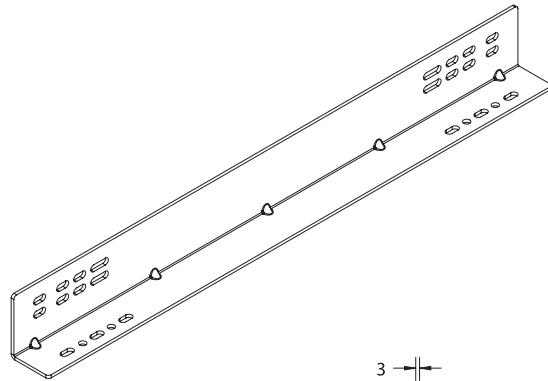
BRACKETS TO CABINET/DRAWER- M6 OR 1/4 INCH SCREWS

general tolerances		DIN ISO 128-30 missing dimensions see 3D = theor. intersection	
ISO 2768-m			
This drawing remains our property and may not be multiplied neither be disclosed to third parties (§§1.3 and 5 from the copyright Act (UrHGe))			
covered according to DIN ISO 16016		scale: 1:2	surface: A2
drawn: 13-12-2018	date: 13-12-2018	name: HB	material, semi finished parts: STEEL-ZINC PLATED (technical requirements Fulterer)
proven: 00-00-0000	date: 00-00-0000	name: 00	description: BRACKET 406MM FR 5400/5400L
Fulterer AG & Co KG A-6900 Lustenau / Austria		drawing number: 5400.406-04.T018	
Fulterer AG CH-9430 St. Margrethen		replaces version date:	

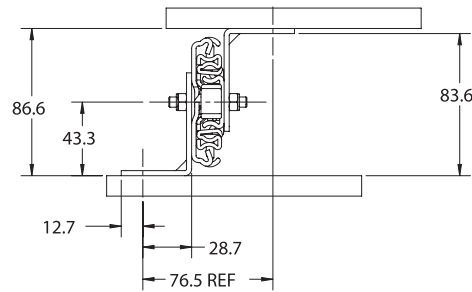
5400.559-04.T018

X

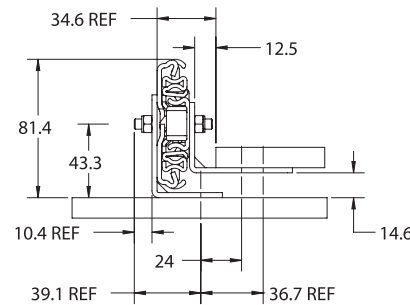
559mm part #5529



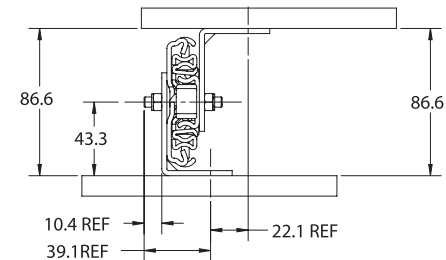
CABINET BRACKET OUT
DRAWER BRACKET DOWN
SCALE 1:2



CABINET BRACKET OUT
DRAWER BRACKET UP
SCALE 1:2



CABINET BRACKET IN
DRAWER BRACKET DOWN
SCALE 1:2



CABINET BRACKET IN
DRAWER BRACKET UP
SCALE 1:2

HARDWARE:

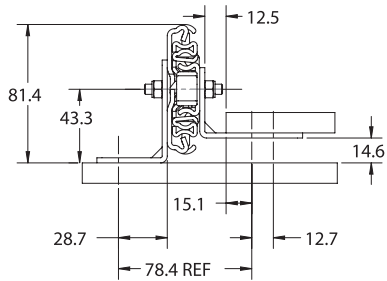
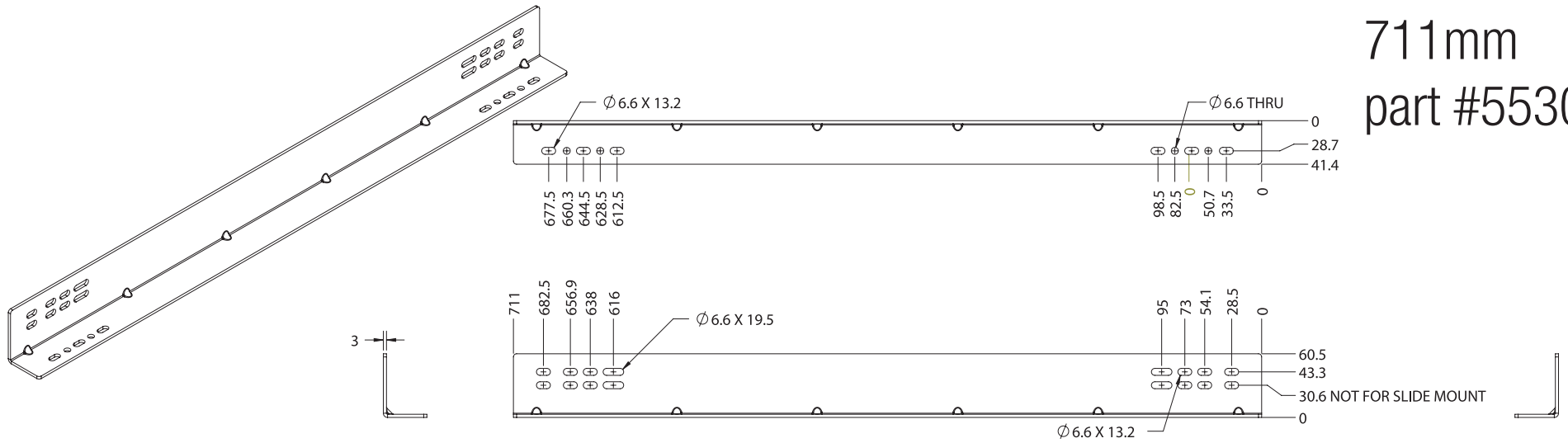
BRACKETS TO SLIDE- USE SUPPLIED M6 BUTTON HEAD 16mm LONG AND M6 LOCK NUT AS SHOWN

BRACKETS TO CABINET/DRAWER- M6 OR 1/4 INCH SCREWS

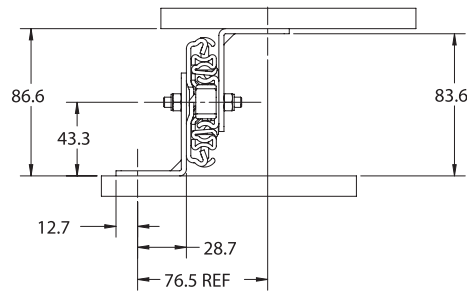
general tolerances				DIN ISO 128-30 missing dimensions see 3D = theor. intersection	
ISO 2768-m					
This drawing remains our property and may not be multiplied neither be disclosed to third parties (§61.3 and 5 from the copyright Act (UrHG))					
covered according to DIN ISO 16016		scale:	3:8	surface:	material, semi finished parts: STEEL-ZINC PLATED (technical requirements Fulterer)
⊕		date	13-12-2018	name	HB
⊖		drawn	00-00-0000	description:	BRACKET 559MM FR 5400/5400L
⊕		proven			
Fulterer					
Fulterer AG & Co KG A-6890 Lustenau / Austria Fulterer AG CH-9430 St. Margrethen				drawing number: 5400.559-04.T018 replaces version date:	
ind.	changes	date	na.		

5400.711-04.T018

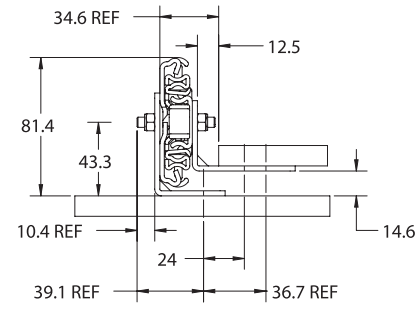
711mm
part #5530



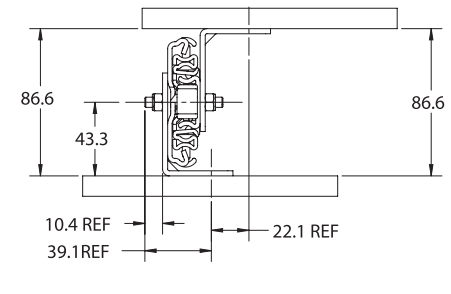
CABINET BRACKET OUT
DRAWER BRACKET DOWN
SCALE 1:2



CABINET BRACKET OUT
DRAWER BRACKET UP
SCALE 1:2



CABINET BRACKET IN
DRAWER BRACKET DOWN
SCALE 1:2



CABINET BRACKET IN
DRAWER BRACKET UP
SCALE 1:2

HARDWARE:

BRACKETS TO SLIDE- USE SUPPLIED M6 BUTTON HEAD 16mm LONG AND M6 LOCK NUT AS SHOWN

BRACKETS TO CABINET/DRAWER- M6 OR 1/4 INCH SCREWS

general tolerances				DIN ISO 128-30 missing dimensions see 3D = theor. intersection	
ISO 2768-m		scale:	3:8	surface:	material, semi finished parts: STEEL-ZINC PLATED (technical requirements Futlerer)
This drawing remains our property and may not be multiplied neither be disclosed to third parties (§91.3 and 5 from the copyright Act (UrhG))					
covered according to DIN ISO 16016		date:	13-12-2018	name:	HB
		proven:	00-00-0000	description:	BRACKET 711MM FR 5400/5400L
		Futlerer		drawing number:	5400.711-04.T018
		Futlerer AG & Co KG A-6890 Lustenau / Austria		replaces version date:	
		Futlerer AG CH-9430 St. Margrethen			
ind.	changes	date	na.		