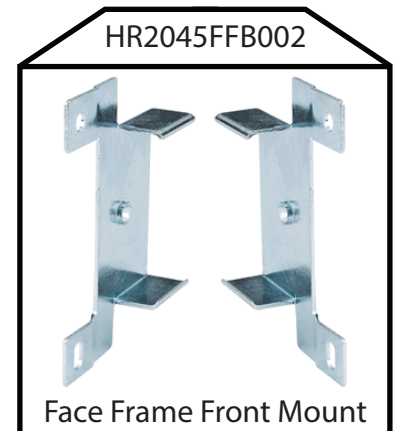
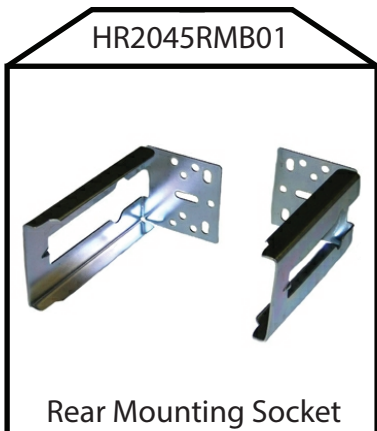
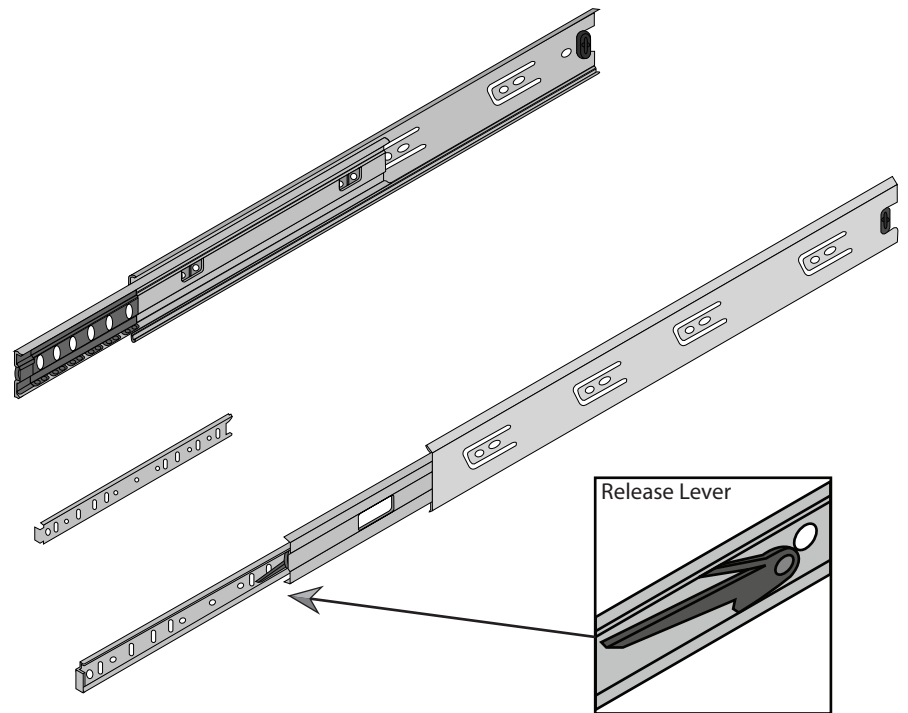
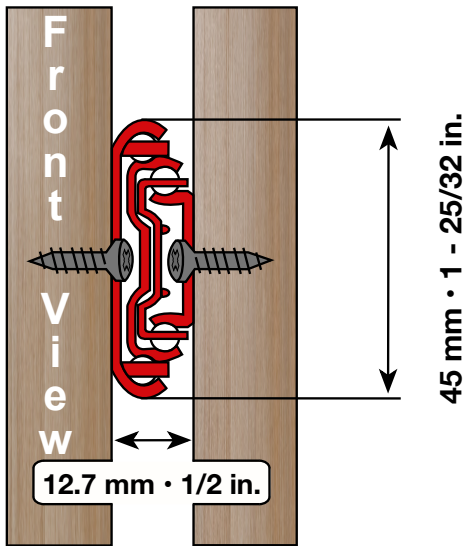


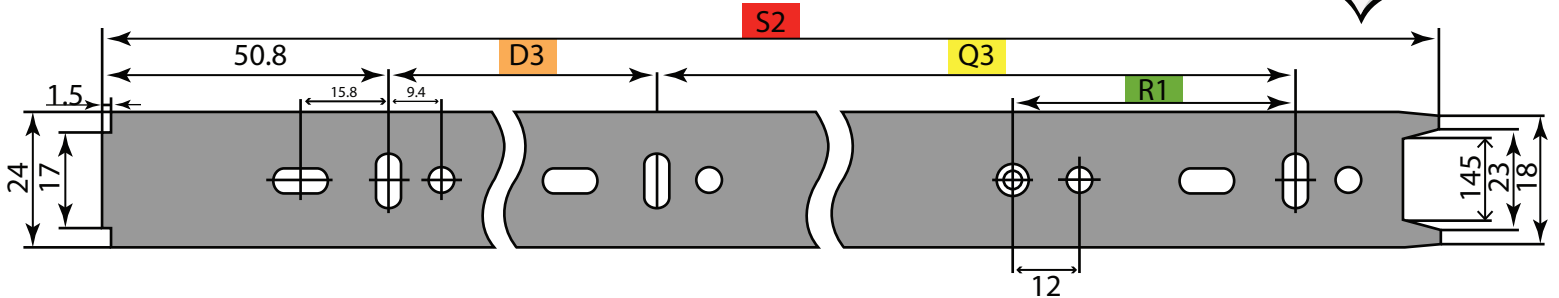
HR2045 Series Drawer Slides



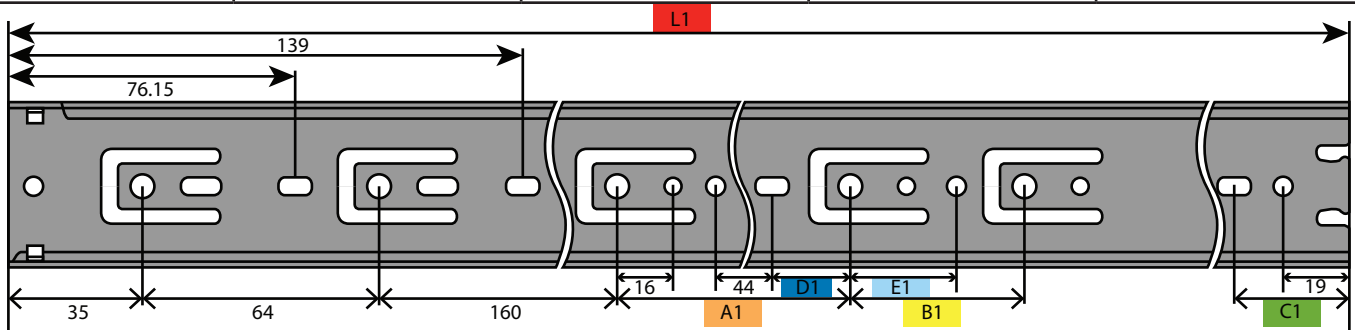
The Hawthorne & Reid HR2045 Industrial Series 100 lb. capacity, Full Extension, allowing complete access to the back of the drawer, steel ball bearing drawer slide is a precision telescopic slide, with cushioned in and out stops and a positive hold in feature. Made of polished zinc plated steel with precision steel ball bearing glides. The HR2045 delivers ultra smooth action and superb stability.



HR2045 Series Drawer Slides



Specifications	S2	D3	Q3	R1
28"	709	255.5	320	248.6
26"	658	236.5	339	250.4
24"	608	224	288	186
22"	557	205	275	179.6
20"	506	173	243	141.8
18"	455	141	211	103.6
16"	404	128	192	96.6
14"	354	96	160	54.8
12"	303	77	147	50.5
10"	250	-	175	38.5



Specifications	L1	A1	B1	C1	D1	E1
28"	711.2	128	192	82.2	25.45	32.15
26"	660.4	128	192	31.4	25.45	32.15
24"	609.6	128	128	44.6	25.45	32.15
22"	558.8	128	64	57.8	25.45	32.15
20"	508	128	64	-	25.45	32.15
18"	457.2	128	-	-	25.45	32.15
16"	406.4	64	-	38.5	-	-
14"	355.6	-	-	47.3	-	-
12"	304.8	-	-	-	-	-
10"	254	-	-	-	-	-