

# Clip-on door buffer Silent System for Intermat fast-assembly concealed hinges Nickel-plated die-cast zinc



- For **overlay** doors (cranking 0 and 9,5 mm) and for use with **inset** doors (cranking 16 mm)
- Dampening effect infinitely adjustable at setting wheel
- Toolless assembly and disassembly
- Can be retrofitted

## Application for clip-on door buffer Silent System

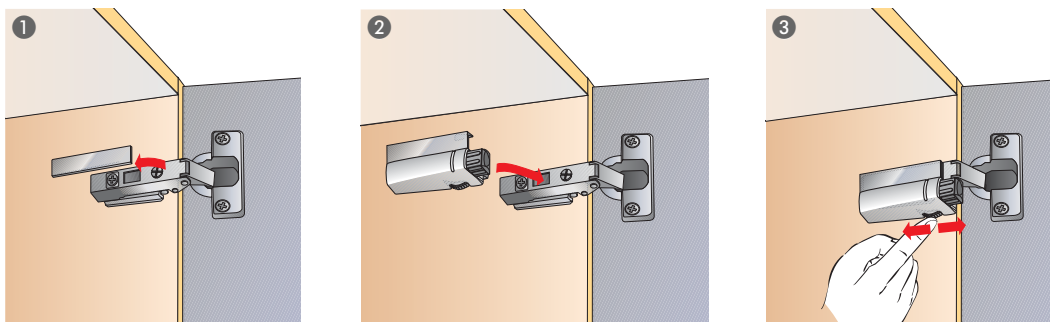
| Clip-on door buffer<br>Silent System | 0 060 576   | 0 060 577 | 0 060 578 |
|--------------------------------------|-------------|-----------|-----------|
| Hinge                                | Cranking mm |           |           |
| Intermat 9943 / 9943 FIX             | 0           | 9,5       | 16        |
| Intermat 9944 / 9944 FIX             | 0           | 9,5       | -         |
| Intermat 9936 / 9936 FIX             | 0           | 9,5       | 16        |

Article pairing:  
buffer <-> Hinge, see page 3.1.111

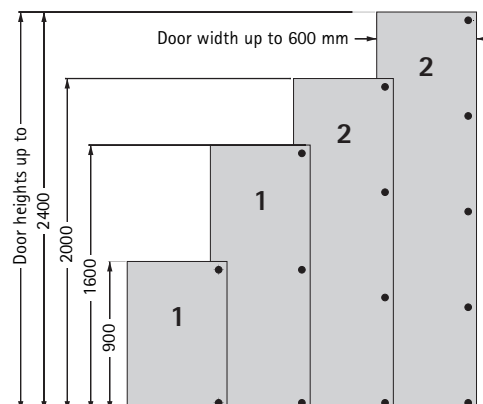
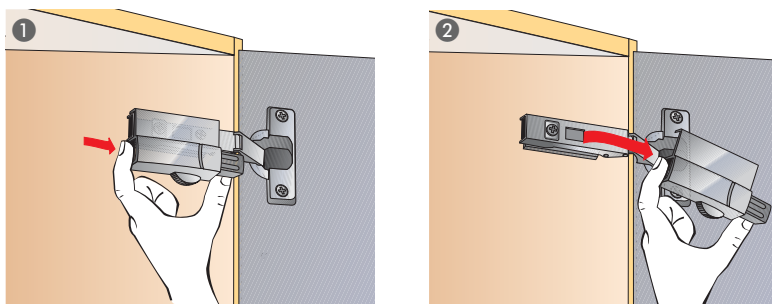


| Suitable for a cranking of mm | Mounting option | Order no.        | PU   |
|-------------------------------|-----------------|------------------|------|
| 0,0                           | Overlay door    | <b>0 060 576</b> | 1/50 |
| 9,5                           | Overlay door    | <b>0 060 577</b> | 1/50 |
| 16,0                          | Inset door      | <b>0 060 578</b> | 1/50 |

## Assembly



## Disassembly



**Recommended number of buffers per door**  
Guide values for 19 mm chipboard panels with a density of 750 kg/m<sup>3</sup>