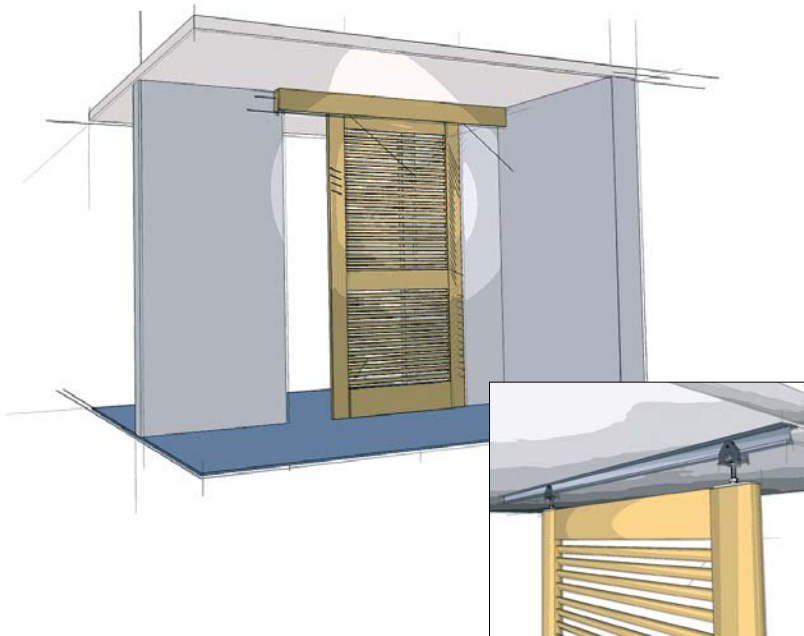


Single Door Set for Bi-parting, By-passing and Pocket Doors

Top Line Grant 1210

up to 225 lbs/door (102 kg/door)

for door thickness 1" (25.4 mm) minimum, top mount, adjustable



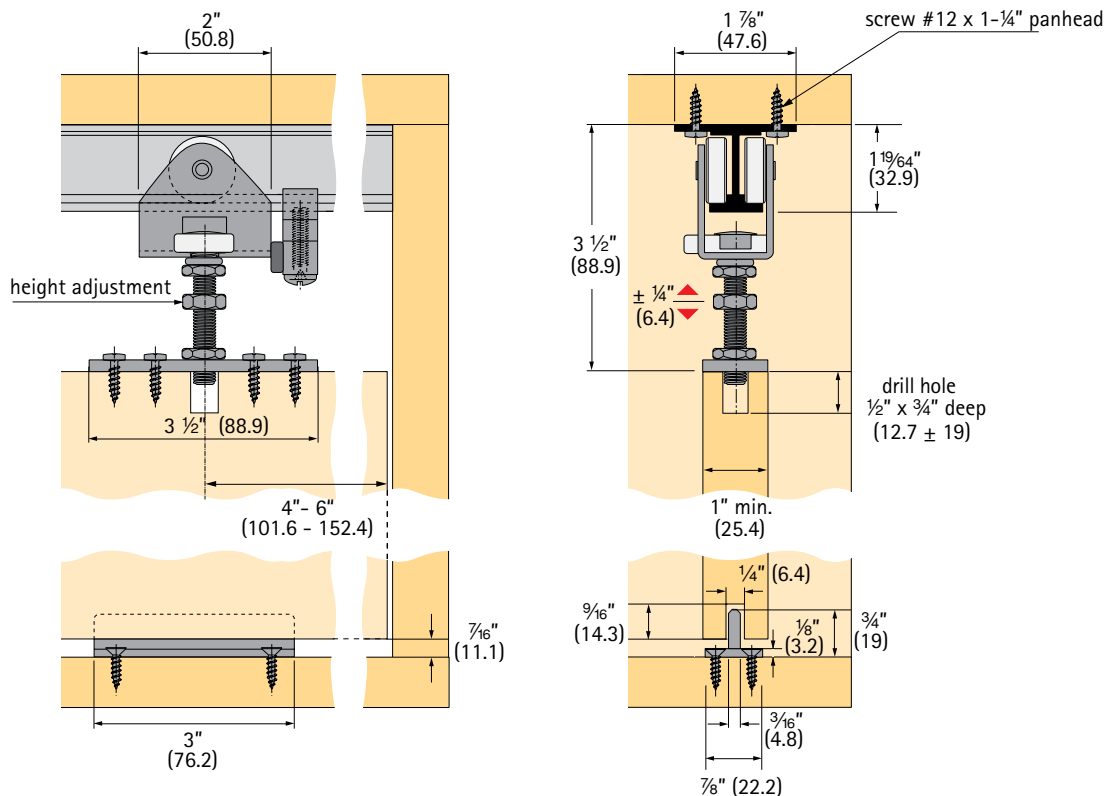
Top Line Grant 1210

A heavy duty commercial and residential grade sliding door hardware series ideal for design applications which require the movement of heavy panels, space dividers or large doors.

- For doors 1" and up weighing up to 225 lbs/door (102 kg/door)
- Precision ball-bearing wheels guarantee a smooth, quiet and effortless operation.
- Two wheel carrier, center hung for efficient operation
- Vertical adjustment 1/2" (12.7 mm)
- Heavy duty aluminum I-beam track; jump proof design
- Conforms to ANSI/BHMA standards, Grade 1
- Made in USA

For by-passing doors mount parallel tracks

For bi-parting doors use an additional set of hardware



Technical specifications are subject to change without notice

Specifications:

Mounting: Top
 Adjustment: 1/2" (12.7 mm) vertical
 Door thickness: 1" (25.4 mm) min.
 Headroom: 3 1/4" (82.5 mm) min., 3 3/4" (95.2 mm) max.
 Application: Single, bi-parting, by-passing

Top Line Grant 1210 door hardware is available in four purchasing options

Option I

Complete package: includes track, hardware set, and all screws

Hardware and track

Length	Order no.	PU
6' (1800 mm)	113 327 3	5 sets
8' (2400 mm)	113 327 4	5 sets
10' (3000 mm)	113 327 5	5 sets
12' (3600 mm)	113 327 6	5 sets

For longer track application order hardware set and track separately

Option II

Track only

Single track 1201

Aluminum extruded, pre-drilled holes



Length	Order no.	PU
4' (1200 mm)	050 121	5
5' (1500 mm)	050 122	5
6' (1800 mm)	050 123	5
8' (2400 mm)	050 124	5
10' (3000 mm)	050 125	5
12' (3600 mm)	050 126	5
16' (4800 mm)	050 127	5

Screws not included - recommend #12 Pan Head

Option III

Hardware set only

Top Line Grant 1210 hardware set (without track)

The hardware set includes:
 2 carriers 1202 precision ball bearings
 1 floor guide 7015
 necessary screws
 installation instructions

Article	Order no.	PU
Hardware set	113 327 2	10 sets

Option IV

Separate components

Top Line Grant 1210 components

Carrier 1202

Steel, two wheels, precision bearings, with pendant and top plate

Screws included



Finish	Order no.	PU
zinc-plated	113 327 0	20

Floor guide 7015

Zinc diecast

Dimensions:

3" x 7/8" x 3/4" (76.2 x 22.2 x 19 mm)

Screws included



Finish	Order no.	PU
N/A	050 562	50

Optional parts (not included in set)

Bumper stop 1212

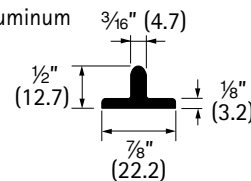
Aluminum, with rubber bumper



Article	Order no.	PU
Bumper stop	050 139	1

Continuous floor guide 2014

Aluminum



Length	Order no.	PU
6' (1800 mm)	050 448	5
8' (2400 mm)	050 449	5
10' (3000 mm)	050 450	5
12' (3600 mm)	050 451	5

Screws not included - recommend #6 Flat Head, pre-drilled holes