

Slim-line and versatile
Ball-bearing slides



Great performers, superb ergonomics

Hettich's sturdy and technically perfected ball-bearing slides satisfy the toughest demands on quality. Requiring no maintenance and guaranteeing years of trouble-free service, they are ideal for a wide range of applications in the living room, bedroom and home office.

Hardened steel balls in a ball race made of noise-absorbing plastic give these ball-bearing slide systems their smooth running action and high lateral stability. Runners and ball race form a non-separable, easy-to-fit unit.

Hettich ball-bearing slides are precision-engineered to ensure the smooth interaction of all components. This guarantees their high load-bearing capacity and long life expectancy. Hardened steel balls, plastic ball races, precision runners – all help to make sure these fittings give full satisfaction in home and office furniture year after year.



Runner system for wooden drawers

Ball-bearing slide

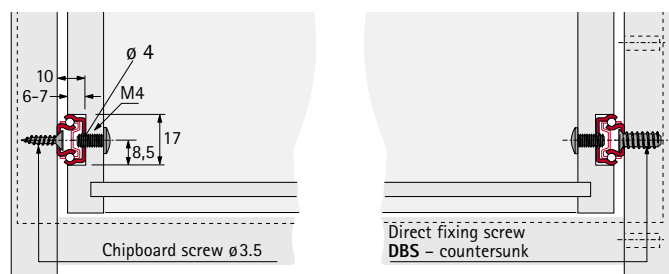
KA 1730 for 17 mm groove



- KA 1730 ball-bearing slide for 17 mm groove, screw-on installation
- 13 sizes for drawer lengths from 155 to 550 mm
- Load capacity 10 kg
- Precision slide with pull-out stop and roll-out guard
- Perfectly controlled, smooth action and high lateral stability
- Ball race in noise-absorbing plastic with hardened steel balls
- Runners and ball race form a complete, non-separable unit
- Arrow indicating mounting direction
- Additional support for drawer from lengths of 430 mm and over
- Galvanised steel
- Customised solutions on request

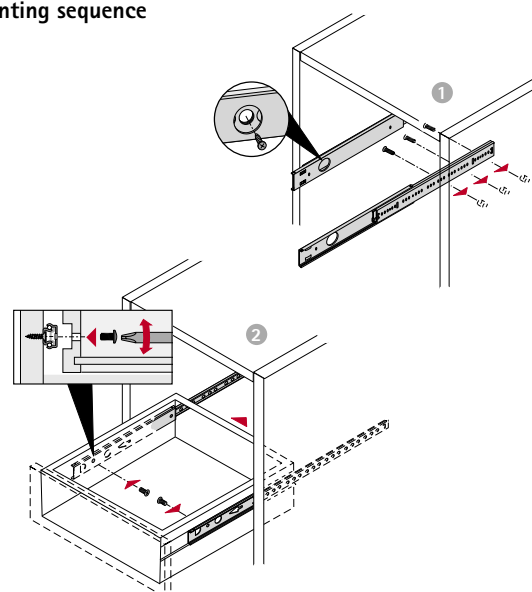
Nominal length/ Drawer length mm	Load capacity kg	Drawer slide mm	Cabinet rail mm	Extension loss EL mm	Hole spacing distance C mm	Order no.	PU [qty.]
200/155-210	10	133	150	32	101	1 008 087	200
250/185-260	10	164	182	44	132	1 008 088	200
300/195-305	10	185	182	44	153	1 007 441	200
330/220-340	10	210	214	56	178	1 008 089	200
350/220-355	10	217	214	56	185	1 007 442	200
380/250-390	10	241	246	68	209	1 008 090	200
400/250-410	10	249	246	68	217	1 007 443	200
500/310-520	10	310	310	98	278	1 039 848	150
430/430	10	430	278	86	398	1 007 431	150
450/450	10	450	278	86	418	1 007 432	150
480/480	10	480	310	98	448	1 007 433	150
500/500	10	500	310	98	468	1 007 434	150
550/550	10	550	342	110	518	1 007 435	150

Cutting and mounting information



Article	Order no.	PU
M4 screw, 8 mm long	1 060 647	5000
M4 screw, 9 mm long	1 006 051	3000
DFS 6.3 mm dia. x 10.5 mm	1 008 302	1000
DFS 6.3 mm dia. x 14 mm	1 008 313	1000

Mounting sequence



Screw-on mounting

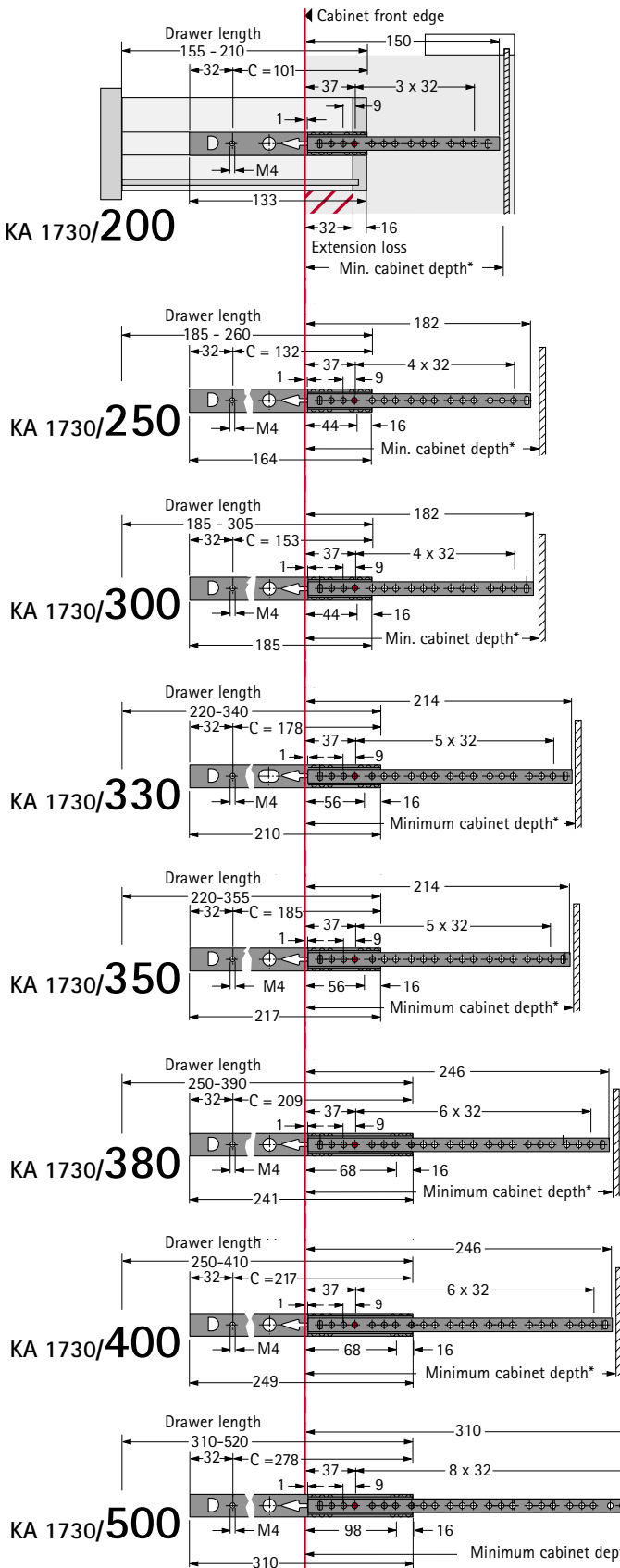
Pull-out stop and roll-out guard

Load capacity 10 kg

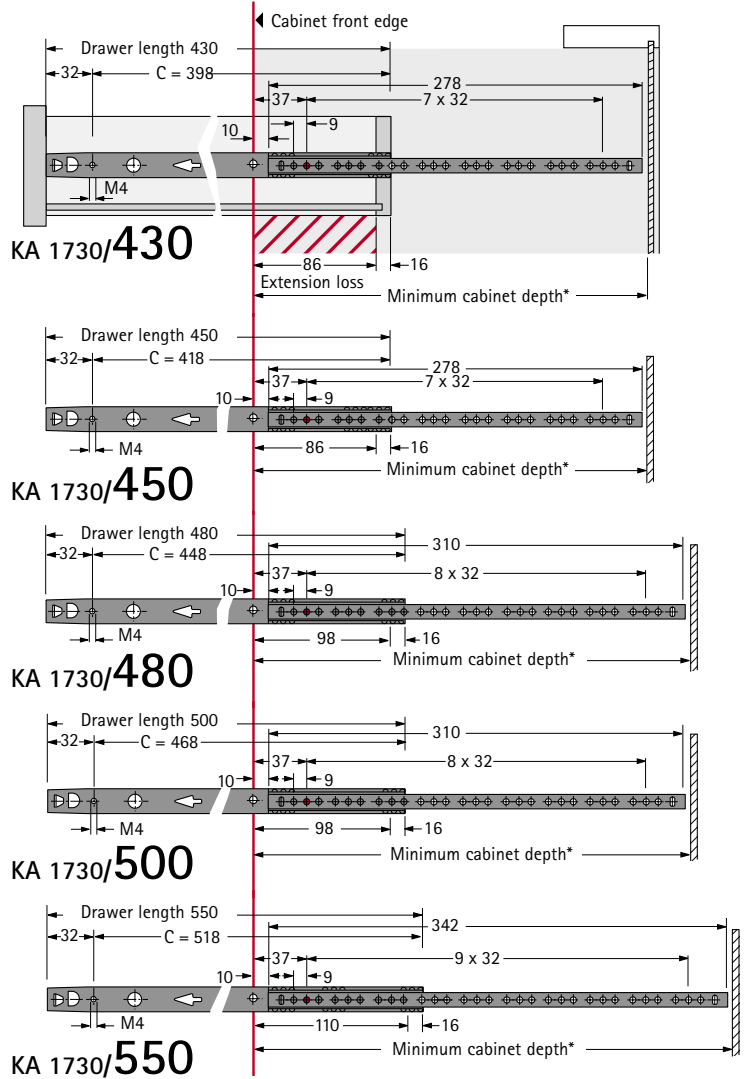
Hole pattern for drawers

KA 1730

The integrated roll-out guard is only effective at maximum drawer length.



KA 1730 with front support



* Minimum cabinet depth = drawer length + 1 mm