



Heavy-Duty Slides for Industrial applications:  
**KA 3320 Full extension ball bearing slides**

Technik für Möbel



## Full extension ball bearing slide

▶ KA 3320 / Load capacity up to 500 lbs. (227 kg)

▶ 3/4" (19 mm) installation width



- ▶ Non-handed
- ▶ Non-disconnect
- ▶ Load rating up to 500 lbs (227 kg) / pair, see table below
- ▶ Travel full extension
- ▶ Flat or side mount
- ▶ Side space 3/4" (19 mm)
- ▶ Lengths available in 2" increments: 10" - 60" (254 - 1524 mm)
- ▶ Pre-galvanized
- ▶ Optional finishes available upon request, minimum order quantities apply
- ▶ Can utilize hex or pan heads (M5 Euro or #10) screws on track / drawer member or outer channel / cabinet member for metal applications. For wood applications #10 sheet metal screw.
- ▶ RoHS compliant
- ▶ Passes BHMA Standards
- ▶ Made in USA

Description	Length inch / mm		Min. cabinet depth inch / mm		Order no.	PU
KA 3320 10"	10	254	10.25	260	<b>9 263 127</b>	5 sets
KA 3320 12"	12	305	12.25	311	<b>9 263 128</b>	5 sets
KA 3320 14"	14	356	14.25	362	<b>9 263 129</b>	5 sets
KA 3320 16"	16	406	16.25	413	<b>9 263 130</b>	5 sets
KA 3320 18"	18	457	18.25	463	<b>9 263 131</b>	4 sets
KA 3320 20"	20	508	20.25	514	<b>9 263 132</b>	4 sets
KA 3320 22"	22	559	22.25	565	<b>9 263 133</b>	4 sets
KA 3320 24"	24	610	24.25	616	<b>9 263 134</b>	4 sets
KA 3320 26"	26	660	26.25	667	<b>9 263 135</b>	3 sets
KA 3320 28"	28	711	28.25	718	<b>9 263 136</b>	3 sets
KA 3320 30"	30	762	30.25	768	<b>9 263 137</b>	3 sets
KA 3320 32"	32	813	32.25	819	<b>9 263 138</b>	3 sets
KA 3320 34"	34	863	34.25	870	<b>9 263 139</b>	2 sets
KA 3320 36"	36	914	36.25	921	<b>9 263 140</b>	2 sets
KA 3320 38"	38	965	38.25	972	<b>9 263 141</b>	2 sets
KA 3320 40"	40	1016	40.25	1022	<b>9 263 142</b>	2 sets
KA 3320 42"	42	1067	42.25	1073	<b>9 263 143</b>	2 sets
KA 3320 44"	44	1118	44.25	1124	<b>9 263 144</b>	2 sets
KA 3320 46"	46	1168	46.25	1175	<b>9 263 145</b>	1 set
KA 3320 48"	48	1219	48.25	1226	<b>9 263 146</b>	1 set
KA 3320 50"	50	1270	50.25	1276	<b>9 263 147</b>	1 set
KA 3320 52"	52	1320	52.25	1321	<b>9 263 148</b>	1 set
KA 3320 54"	54	1371	54.25	1378	<b>9 263 149</b>	1 set
KA 3320 56"	56	1422	56.25	1422	<b>9 263 150</b>	1 set
KA 3320 58"	58	1473	58.25	1480	<b>9 263 151</b>	1 set
KA 3320 60"	60	1524	60.25	1530	<b>9 263 152</b>	1 set

# Full extension ball bearing slide

► KA 3320 / Load capacity up to 500 lbs. (227 kg)

► 3/4" (19 mm) installation width

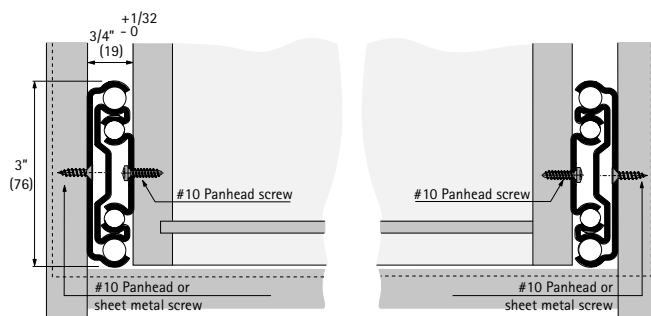
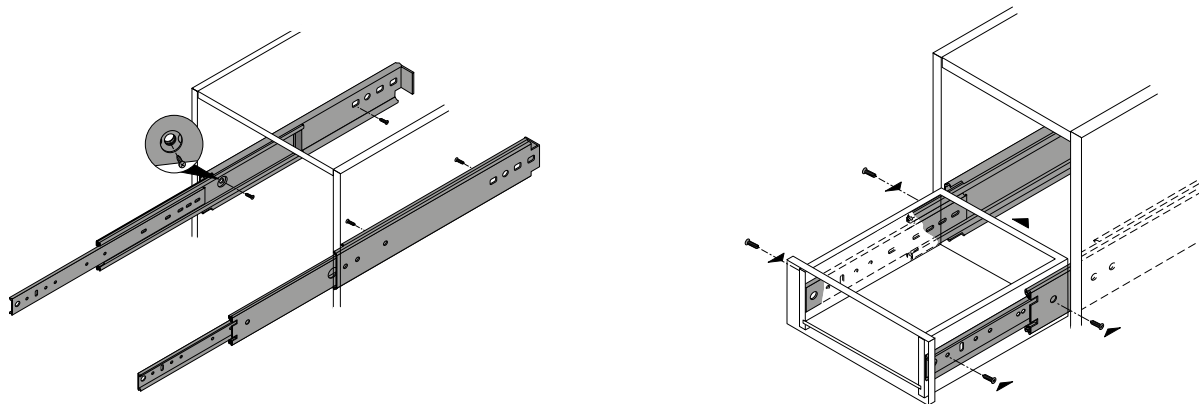
## Installation dimensions

UOM	Slide Length	Travel	Drawer Member Mounting Hole Locations									Cabinet Member Mounting Hole Locations									
			L	T	A	B	C	E	F	G	H	J	K	M	N	P	P2	R	S	T	U
inch	10	10	-	-	-	-	-	-	3 1/4	4 1/4	5	5 3/4	-	-	-	-	-	5 1/4	6 3/8	7 1/2	8 1/4
mm	254.0	254.0	-	-	-	-	-	-	82.55	107.95	127.0	146.05	-	-	-	-	-	133.35	161.93	190.5	209.55
inch	12	12	-	-	-	-	-	-	5 1/4	6 1/4	7	17 3/4	-	-	-	-	-	17 1/4	8 3/8	9 1/2	10 1/4
mm	304.8	304.8	-	-	-	-	-	-	133.35	158.75	177.8	196.85	-	-	-	-	-	184.15	212.73	241.3	260.35
inch	14	14	-	-	-	-	-	-	7 1/4	8 1/4	9	9 3/4	-	-	-	-	-	9 1/4	10 3/8	11 1/2	12 1/4
mm	355.6	355.6	-	-	-	-	-	-	184.15	209.55	228.6	247.65	-	-	-	-	-	234.95	263.53	292.1	311.15
inch	16	16	4 1/4	-	-	-	-	-	9 1/4	10 1/4	11	11 3/4	-	-	-	-	-	11 1/4	12 3/8	13 1/2	14 1/4
mm	406.4	406.4	107.95	-	-	-	-	-	234.95	260.35	279.4	298.45	-	-	-	-	-	285.75	314.33	342.9	361.95
inch	18	18	4 1/4	-	-	-	-	8.938	11 1/4	12 1/4	13	13 3/4	-	-	-	-	-	13 1/4	14 3/8	15 1/2	16 1/4
mm	457.2	457.2	107.95	-	-	-	-	227.01	285.75	311.15	330.2	349.25	-	-	-	-	-	336.55	365.13	393.7	412.75
inch	20	20	4 1/4	6 3/4	-	-	-	10.938	13 1/4	14 1/4	15	15 3/4	-	-	-	-	-	15 1/4	16 3/8	17 1/2	18 1/4
mm	508.0	508.0	107.95	171.45	-	-	-	277.81	336.55	361.95	381	400.05	-	-	-	-	-	387.35	415.93	444.5	463.55
inch	22	22	4 1/4	6 3/4	-	-	-	12.938	15 1/4	16 1/4	17	17 3/4	-	-	-	-	-	17 1/4	18 3/8	19 1/2	20 1/4
mm	558.8	558.8	107.95	171.45	-	-	-	328.61	387.35	412.75	431.8	450.85	-	-	-	-	-	438.15	466.73	495.3	514.35
inch	24	24	4 1/4	6 3/4	-	-	-	14.938	17 1/4	18 1/4	19	19 3/4	-	-	-	-	-	19 1/4	20 3/8	21 1/2	22 1/4
mm	609.6	609.6	107.95	171.45	-	-	-	379.41	438.15	463.55	482.6	501.65	-	-	-	-	-	488.95	517.53	546.1	565.15
inch	26	26	4 1/4	6 3/4	-	-	-	16.938	19 1/4	20 1/4	21	21 3/4	-	-	-	-	-	21 1/4	22 3/8	23 1/2	24 1/4
mm	660.4	660.4	107.95	171.45	-	-	-	430.21	488.95	514.35	533.4	552.45	-	-	-	-	-	539.75	568.33	596.9	615.95
inch	28	28	4 1/4	6 3/4	-	-	-	18.938	21 1/4	22 1/4	23	23 3/4	-	-	-	-	-	23 1/4	24 3/8	25 1/2	26 1/4
mm	711.2	711.2	107.95	171.45	-	-	-	481.01	539.75	565.15	584.2	603.25	-	-	-	-	-	590.55	619.13	647.7	666.75
inch	30	30	4 1/4	6 3/4	13 3/4	-	-	20.938	23 1/4	24 1/4	25	25 3/4	8 1/2	-	-	-	19	25 1/4	26 3/8	27 1/2	28 1/4
mm	762.0	762.0	107.95	171.45	349.25	-	-	531.81	590.55	615.95	635	654.05	215.9	-	-	-	482.6	641.35	669.93	698.5	717.55
inch	32	32	4 1/4	6 3/4	13 3/4	-	-	22.938	25 1/4	26 1/4	27	27 3/4	8 1/2	-	14 3/4	-	21	27 1/4	28 3/8	29 1/2	30 1/4
mm	812.8	812.8	107.95	171.45	349.25	-	-	582.61	641.35	666.75	685.8	704.85	215.9	-	374.65	-	533.4	692.15	120.73	749.3	768.35
inch	34	34	4 1/4	6 3/4	13 3/4	17 3/4	-	24.938	27 1/4	28 1/4	29	29 3/4	8 1/2	-	15 3/4	-	23	29 1/4	30 3/8	31 1/2	32 1/4
mm	863.6	863.6	107.95	171.45	349.25	450.85	633.41	692.15	717.55	736.6	755.65	215.9	-	400.05	-	584.2	742.95	771.53	800.1	819.15	
inch	36	36	4 1/4	6 3/4	13 3/4	19 3/4	-	26.938	29 1/4	30 1/4	31	31 3/4	8 1/2	-	16 3/4	-	25	31 1/4	32 3/8	33 1/2	34 1/4
mm	914.4	914.4	107.95	171.45	349.25	501.65	684.21	742.95	768.35	787.4	806.45	215.9	-	425.45	-	635	793.75	822.33	850.9	869.95	
inch	38	38	4 1/4	6 3/4	13 3/4	21 3/4	-	28.938	31 1/4	32 1/4	33	33 3/4	8 1/2	-	11 3/4	-	27	33 1/4	34 3/8	35 1/2	36 1/4
mm	965.2	?	107.95	171.45	349.25	552.45	735.01	793.75	819.15	838.2	857.25	215.9	-	450.85	-	685.8	844.55	873.13	901.7	920.75	
inch	40	40	4 1/4	6 3/4	13 3/4	23 3/4	-	30.938	33 1/4	34 1/4	35	35 3/4	8 1/2	-	18 3/4	-	29	35 1/4	36 3/8	37 1/2	38 1/4
mm	1016.0	1016.0	107.95	171.45	349.25	603.25	785.81	844.55	869.95	889	908.05	215.9	-	476.25	-	736.6	895.35	923.93	952.5	971.55	
inch	42	42	4 1/4	6 3/4	13 3/4	25 3/4	-	32.938	35 1/4	36 1/4	37	37 3/4	8 1/2	-	20 3/4	-	31	37 1/4	38 3/8	39 1/2	40 1/4
mm	1066.8	1066.8	107.95	171.45	349.25	654.05	836.61	895.35	920.75	939.8	958.85	215.9	-	527.05	-	787.4	946.15	974.73	1003.3	1022.35	
inch	44	44	4 1/4	6 3/4	13 3/4	27 3/4	-	34.938	37 1/4	38 1/4	39	39 3/4	8 1/2	-	20 3/4	-	33	39 1/4	40 3/8	41 1/2	42 1/4
mm	1117.6	1117.6	107.95	171.45	349.25	704.85	887.41	946.15	971.55	990.6	1009.65	215.9	-	527.05	-	838.2	996.95	1025.53	1054.1	1073.15	
inch	46	46	4 1/4	6 3/4	13 3/4	29 3/4	-	36.938	39 1/4	40 1/4	41	41 3/4	8 1/2	-	20 3/4	-	35	41 1/4	42 3/8	43 1/2	44 1/4
mm	1168.4	1168.4	107.95	171.45	349.25	755.65	938.21	996.95	1022.35	1041.4	1060.45	215.9	-	527.05	-	889	1047.75	1076.33	1104.9	1123.95	
inch	48	48	4 1/4	6 3/4	13 3/4	31 3/4	-	38.938	41 1/4	42 1/4	43	43 3/4	8 1/2	15.366	22 3/4	30 3/4	37	43 1/4	44 3/8	45 1/2	46 1/4
mm	1219.2	1219.2	107.95	171.45	349.25	806.45	989.01	1047.75	1073.15	1092.2	1111.25	215.9	390.3	577.85	768.35	939.8	1098.55	1127.13	1155.7	1174.75	
inch	50	50	4 1/4	6 3/4	13 3/4	33 3/4	-	40.938	43 1/4	44 1/4	45	45 3/4	8 1/2	15.366	22 3/4	30 3/4	39	45 1/4	46 3/8	47 1/2	48 1/4
mm	1270	1270	107.95	171.45	349.25	857.25	1039.81	1098.55	1123.95	1143	1162.05	215.9	390.3	577.85	768.35	990.6	1149.35	1177.93	1206.5	1225.55	
inch	52	52	4 1/4	6 3/4	13 3/4	35 3/4	-	42.938	45 1/4	46 1/4	47	47 3/4	8 1/2	15.366	22 3/4	30 3/4	41	47 1/4	48 3/8	49 1/2	50 1/4
mm	1320.8	1320.8	107.95	171.45	349.25	908.05	1090.61	1149.35	1174.75	1193	1212.85	215.9	390.3	577.85	768.35	1041.4	1200.15	1228.73	1257.3	1276.35	
inch	54	54	4 1/4	6 3/4	13 3/4	37 3/4	-	44.938	47 1/4	48 1/4	49	49 3/4	8 1/2	15.366	22 3/4	30 3/4	43	49 1/4	50 3/8	51 1/2	52 1/4
mm	1371.6	1371.6	107.95	171.45	349.25	958.85	1141.41	1200.15	1225.55	1244.6	1263.65	215.9	390.3	577.85	768.35	1092.2	1250.95	1279.53	1308.1	1327.15	
inch	56	56	4 1/4	6 3/4	13 3/4	39 3/4	-	46.938	49 1/4	50 1/4	51	51 3/4	8 1/2	15.366	22 3/4	30 3/4	45	51 1/4	52 3/8	53 1/2	54 1/4
mm	1422.4	1422.4	107.95	171.45	349.25	1009.65	1192.21	1250.95	1276.35	1295.4	1314.45	215.9	390.3	577.85	768.35	1143	1301.75	1330.33	1358.9	1377.95	
inch	58	58	4 1/4	6 3/4	13 3/4	41 3/4	-	48.938	51 1/4	52 1/4	53	53 3/4	8 1/2	15.366	22 3/4	30 3/4	47	53 1/4	54 3/8	55 1/2	56 1/4
mm	1473.2	1473.2	107.95	171.45	349.25	1060.45	1243.01	1301.75	1327.15	1346.2	1365.25	215.9	390.3	577.85	768.35	1193.8	1352.55	1381.13	1409.1	1428.75	
inch	60	60	4 1/4	6 3/4	13 3/4	43 3/4	-	50.938	53 1/4	54 1/4	55	55 3/4	8 1/2	15.366	22 3/4	30 3/4	49	55 1/4	56 3/8	57 1/2	58 1/4
mm	1524	1524	107.95	171.45	349.25	1111.25	1293.81	1352.55	1377.95	1397	1416.05	215.9	390.3	577.85	768.35	1244.6	1403.35	1431.93	1460.5	1479.55	

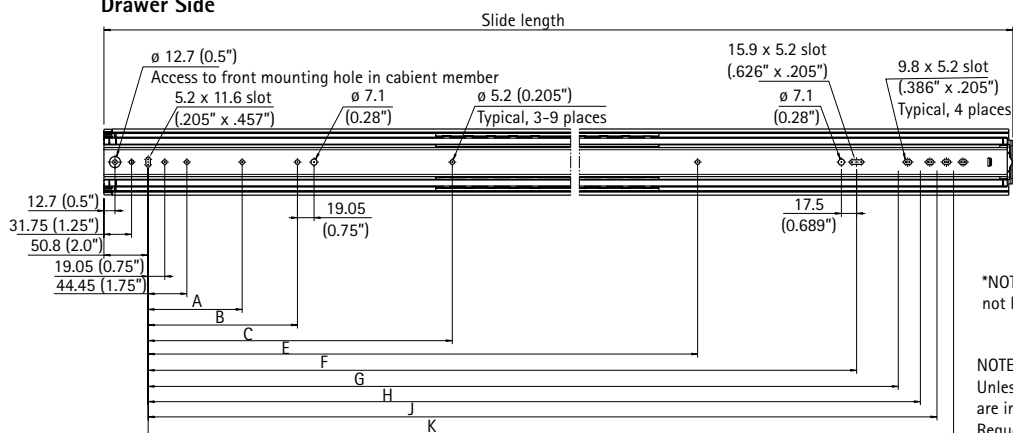
# Full extension ball bearing slide

- ▶ KA 3320 / Load capacity up to 500 lbs. (227 kg)
- ▶ 3/4" (19 mm) installation width

## Assembly



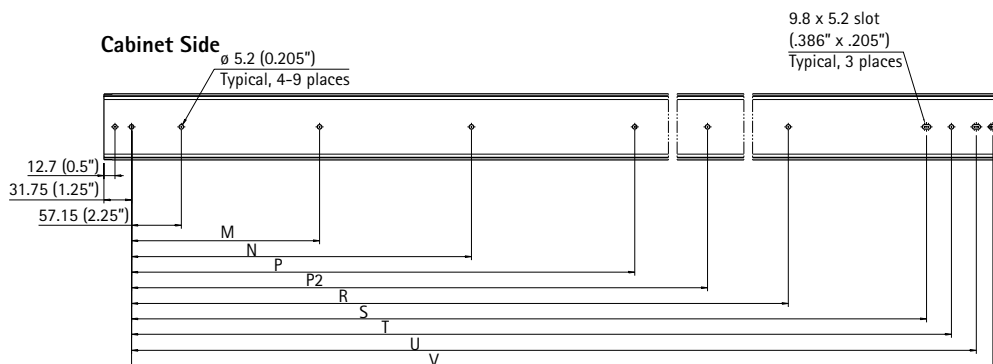
### Drawer Side



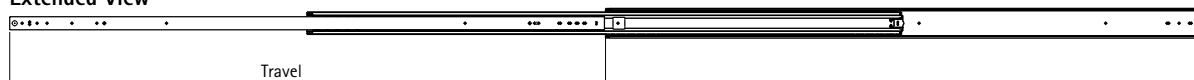
\*NOTE: 10" drawer member does not have a hole at 2 1/2"

NOTES:  
Unless otherwise specified dimensions are in inches  
Request Engineering drawing for specified tolerances

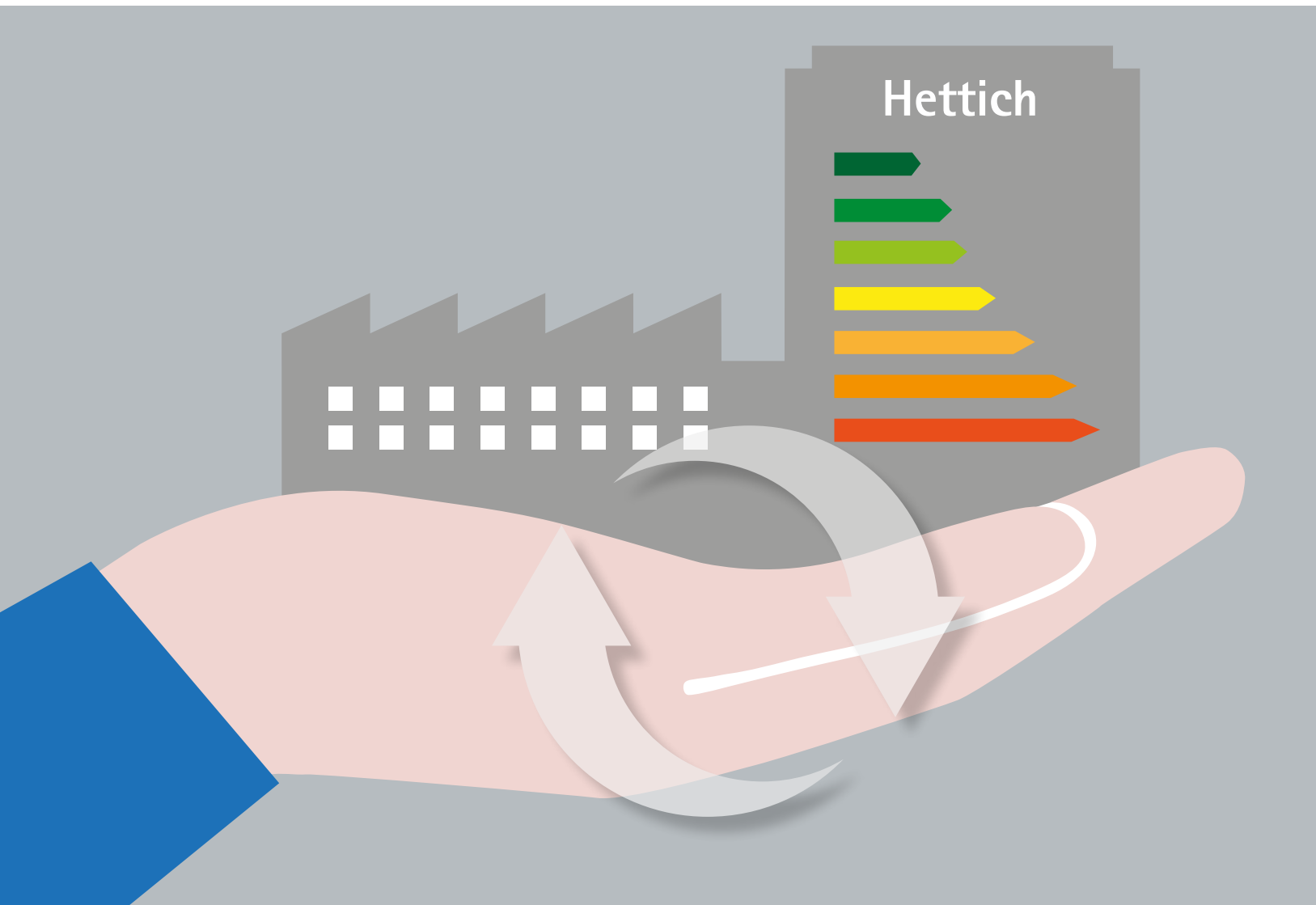
### Cabinet Side



### Extended View







Our corporate principles include taking responsibility for preserving the natural basis of life. This is where we regard statutory provisions as minimum requirements. Over and above meeting statutory requirements, it is imperative for all members of staff to act in a way that conserves energy and resources in their own particular work environment in order to overcome the global ecological challenges of the near future. In the same way, using energy and resources efficiently also plays a key part in maintaining our competitive edge.

The group wide Environmental Department was established back in 1992, with its sustainability principles of environmental protection and occupational health and safety having consistently set the framework for leading the company group forward in this direction since 1993. Introduced in 1996, the environmental management systems complying with the European EMAS Regulation (Eco Management and Audit Scheme), including ISO 14.001, are of central impor-

tance in this context. These implemented a targeted approach to identifying and realising the potentials for using energy and resources in an efficient manner as well as to ensuring conformity with the law. The results are nothing short of impressive.

#### **Environmentally friendly projects**

Innovative projects are the mark of our approach to environmental management. For instance, the primary-energy requirement of our new production facilities is up to 75% below the specifications demanded in building legislation. The exemplary, consistent use of wood-based materials in constructing our commercial buildings puts us on the forefront of using resource-conserving, renewable building materials that take enormous quantities of climate-damaging CO<sub>2</sub> out of the atmosphere while they are growing.

Since 2015, we have been trying out three new vehicles, each employing different propulsion systems, to test the



practical suitability of electric mobility in a variety of usage situations. At our Indian production plant, heavy metals are absorbed from concentrated waste water using an innovative method that involves living algae. At our factory in China, a solar-powered system provides staff accommodation and the canteen with hot water.

### Success stories

Between 1997 and 2015, for example, we have managed to reduce environmental pollution from manufacturing our drawer runners and drawer systems at the Kirchlengern-Bünde production facility as follows:

- ▶ Specific water consumption 45 %
- ▶ Specific power consumption 10 %
- ▶ Specific heat consumption 73 %
- ▶ Specific CO<sub>2</sub> emission 30 %

Numerous awards reflect our commitment to the environment. In 2009, the European Commission gave our zero-energy Hettich Forum building the Green Building Award at national level. In 2016, we won the sustainability prize from the East Westphalian Business Environment Foundation for an environment education project carried out over 20 years.

[www.hettich.com](http://www.hettich.com)

1508-013-HDSLIDE-0419-HUS/en

Hettich America, L.P.  
4295 Hamilton Mill Road  
Suite 400  
Buford, GA 30518  
Phone: 1-800-438-8424  
Fax: 1-800-627-5152  
[info@hettichamerica.net](mailto:info@hettichamerica.net)

Technik für Möbel

  
**Hettich**