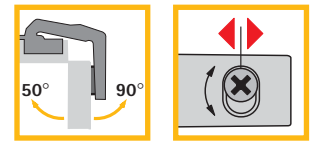


Intermat 9931

Fast-assembly hinge for corner cabinet folding doors

Opening angle 50°/90°



Concealed hinge, snap-on assembly, integrated door overlay and eccentric depth adjustment

Opening angle 50°/90°, cup diameter 35 mm

For corner cabinets with folding doors

Standard Hettich cup holes are used for the door elements

Cutaway or special holes are not required

Intermat 9931 hinges are snapped on to the mounting plate

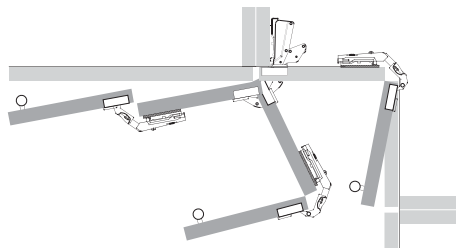
Depth adjustment via eccentric screw -0,5 mm/+3,5 mm

Height adjustment via mounting plate +2 mm/-2 mm

Mounting plates page 57-60
Cover caps, accessories page 61

For more technical information refer to page 32-36

	Order no.	PU
 TB 43 (press-in)	045 038	50



At the start of its swing, the door element opens about 50° on the handle side.

This ensures that the whole corner cabinet door moves clear of any adjacent doors or drawer fronts.

In the open position, the two door elements form a straight line.

The cabinet interior is fully accessible for user convenience.

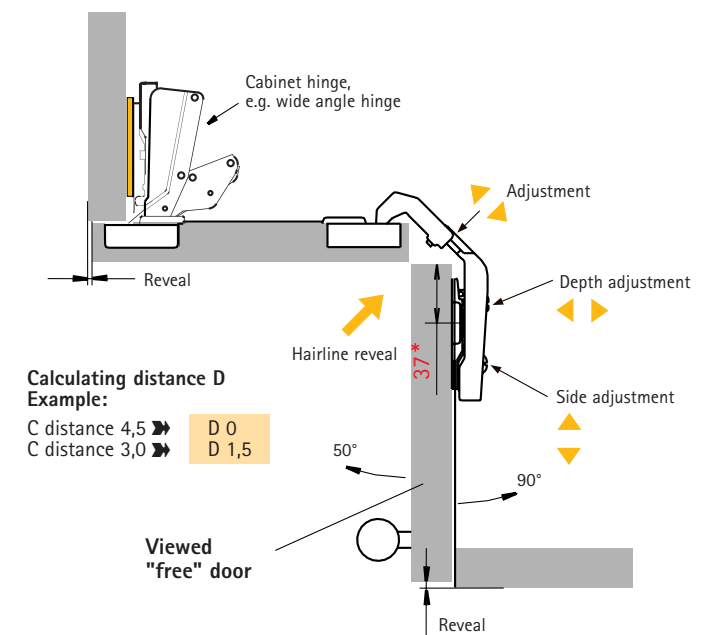
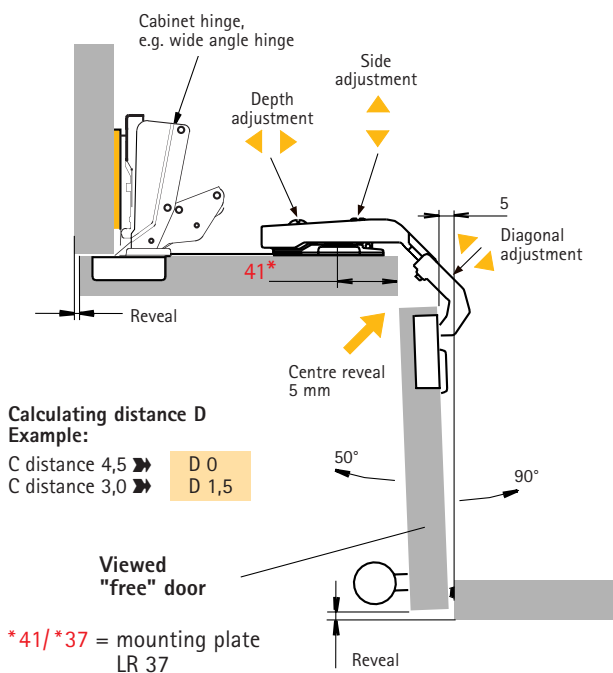
The self-closing feature eliminates the need for a catch on the handle side.

Features:

- Identical door elements
- No cutaway required in cup holes
- Simple adaptation to door thickness by diagonal adjustment
- Hole line distance in attached door 41 mm

Features:

- All cup holes in one door
- Hairline reveal possible between door elements
- No cutaway required in cup holes
- Identical door width for both elements
- Simple adaptation to door thickness by diagonal adjustment
- Identical cup distance on both sides of attached door
- Hole line distance in free door 37 mm



The **diagonal adjustment** can be used to adjust the hinges for **different door thicknesses** from 16 - 21 mm and **different cup distances** from 3 - 6 mm.