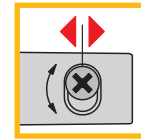
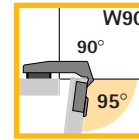


# Intermat 9936 W90

## Fast-assembly hinge for blind corner cabinets

### Opening angle 125°



**Concealed hinge, snap-on assembly, integrated door overlay and eccentric reveal adjustment**

Opening angle 95°, cup diameter 35 mm

For corner cabinets with blind panels


Intermat 9936 W90 hinges are snapped on to the mounting plate

Reveal adjustment via eccentric screw

-0,5 mm/+3,5 mm



Height adjustment via mounting plate +2 mm/-2 mm

Door protrusion adjustment +1,5 mm/-1,5 mm

Inset		PU 50
	<b>TB 43 (press-in)</b>	077 710

D	Reveal mm			
5	2,5	2	1,5	1
	3	4	4,5	5

Cup distance C mm

Door buffer Silent System (grey)	
<b>screw-on</b>	<b>drill-in</b>
9 015 115	9 013 069
	
PU: 400	PU: 800

Mounting plate distances (D):

Frameless: 0 mm; 1,5 mm; 3 mm; 8 mm

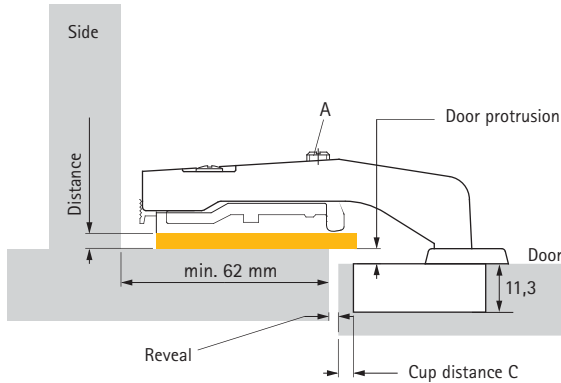
Mounting plates page 57-60  
Cover caps, accessories page 61

For more technical information refer to page 32-36

#### Minimum reveal

Cup distance C mm	Door thickness mm					
	16	18	19	20	22	24
3	0,4	0,8	1	1,2	1,8	2,5
4	0,4	0,8	1	1,2	1,8	2,5
4,5	0,4	0,8	1	1,2	1,8	2,5
5	0,4	0,8	1	1,2	1,7	2,4
6	0,4	0,8	1	1,2	1,7	2,3
7	0,4	0,7	0,9	1,1	1,6	2,2
8	0,4	0,7	0,9	1,1	1,6	2,1

#### Mounting example



#### Calculating distance

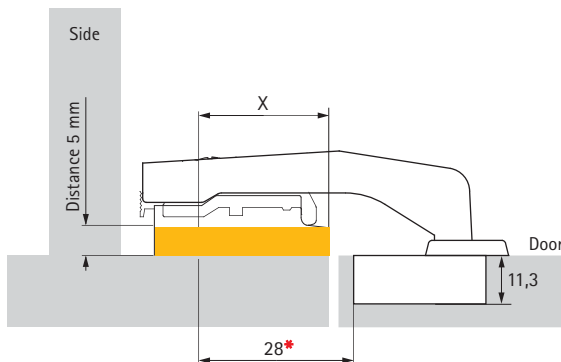
$$\text{Distance} = 5 \text{ mm} - \text{door protrusion}$$

The hinges are adjusted correctly ex factory.

The door protrusion can be adjusted if necessary.

Turn screw (A) clockwise:

The door protrusion can be adjusted by up to 3 mm (+1,5 mm/-1,5 mm).



The back of the door and front panel will be flush if a mounting plate with distance 5 mm is used.

\* The hole distance X, cup distance C and the reveal must always add up to 28!

$$X + \text{cup distance C} + \text{reveal} = 28$$

#### Calculating hole distance "X"

Cup distance C mm	Reveal mm						
	0	0,5	1,0	1,5	2,0	2,5	3,0
3	25,0	24,5	24,0	23,5	23,0	22,5	22,0
3,5	24,5	24,0	23,5	23,0	22,5	22,0	21,5
4	24,0	23,5	23,0	22,5	22,0	21,5	21,0
4,5	23,5	23,0	22,5	22,0	21,5	21,0	20,5
5	23,0	22,5	22,0	21,5	21,0	20,5	20,0
5,5	22,5	22,0	21,5	21,0	20,5	20,0	19,5
6	22,0	21,5	21,0	20,5	20,0	19,5	19,0
7	21,0	20,5	20,0	19,5	19,0	18,5	18,0
8	20,0	19,5	19,0	18,5	18,0	17,5	17,0