



Full Access & Great Design:
Full Access Quadro (FAQ)

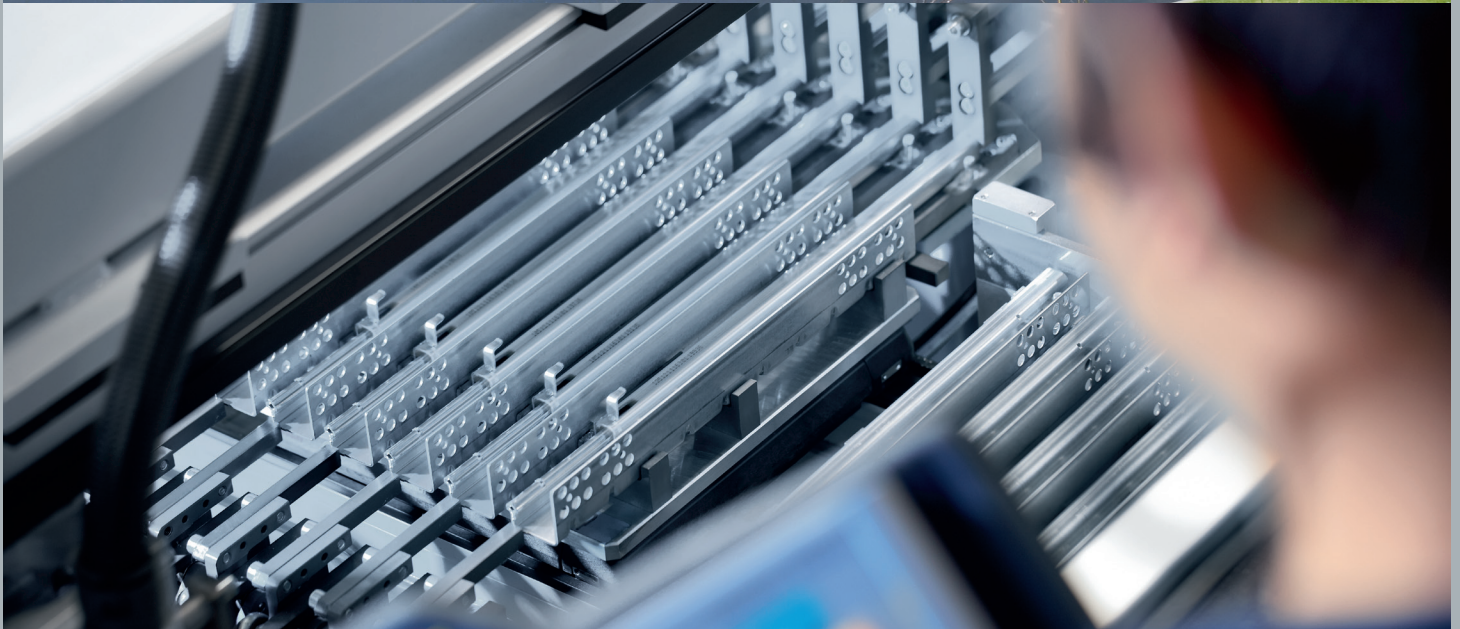
Technik für Möbel

**Hettich**

Thank You For Choosing Hettich



German quality you can trust

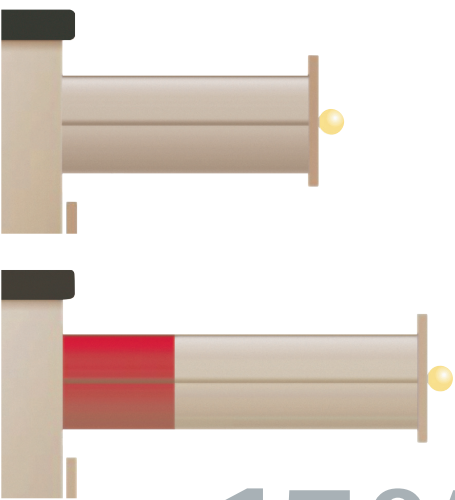


Cabinet hardware technology is our competence and passion. Our products set the benchmark for function, quality and comfort of furniture. The brand Hettich symbolizes a strong partnership with the cabinet and white goods industry, trade and craft. Our today is already dedicated in designing a successful tomorrow. Through the brand values of our company, Quality, Innovation, Closeness to customers and Reliability, we will pave the way to future success.

Hettich is German based, family owned, a global supplier of precision under mount ball bearing slides and articulated hinges for the international appliance industry. Our production facilities are located in North America, Europe and Asia.

Hettich America L.P. is proud of about the fact that the FAQ is made in our new location in Buford, Georgia, USA therefore creating jobs and shortening delivery times. A true benefit to our customers.

Full Access Quadro – everything is in full view!



+15%
more extension





Full access – full satisfaction

Is there a drawer in your kitchen that doesn't deserve full access? The cutlery drawer? It's essential to see right to the back of that one. Cooking utensils drawer? Kitchen rolls and wrappings drawer? Full access is a must. Well, what about that drawer where you keep all those odds and ends? Couldn't do without it there, of all places!

Go for full access and you'll never dig around in a drawer again. Quadro alone won't stop things shifting to the back of a drawer, but it will help you to find them fast. Quadro – full access for the whole kitchen!

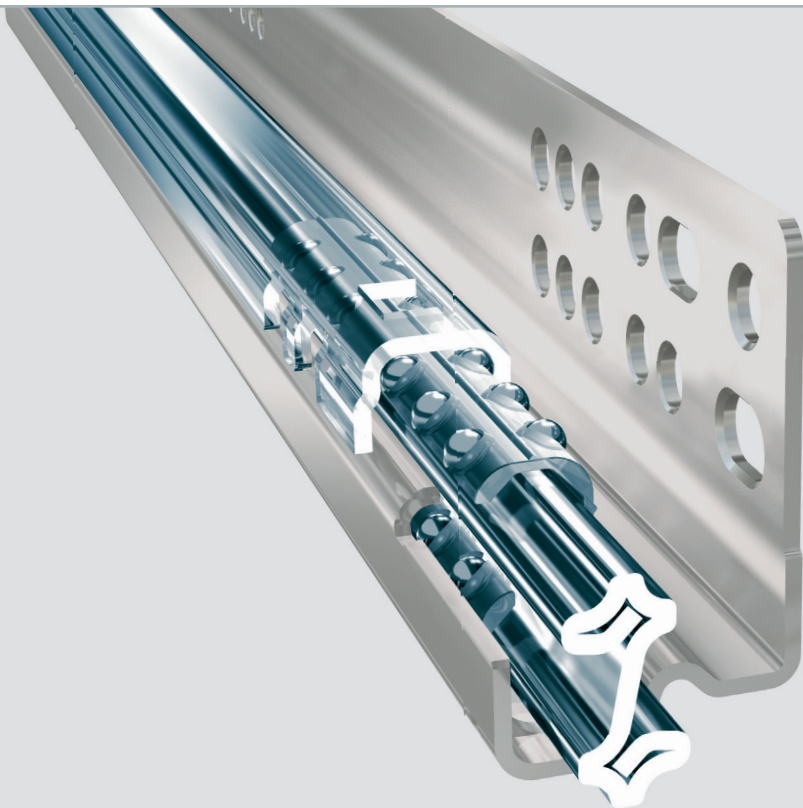
Quadro – great designs on your kitchen!

Take a step back and appreciate the difference that invisible runners like Quadro make to superb cabinet design.

Then close the drawer and enjoy the hush as Silent System takes control of drawer motion on the final inches.

Silent System – sounds great!

Quadro slides – for lifetime satisfaction



End-to-end quality

Quadro slides have a supreme track record for quality and reliability. Master-minded over 20 years ago and continually improved, they embody hardware technology at its best from Germany's largest cabinet hardware manufacturer.

Self-cleaning

Dirt doesn't stand a chance in a Quadro slide. The system is self-cleaning. Any dirt is simply swept aside by the steel ball bearings as they traverse along the track. Even after a long life, the silky smooth action will not be impaired by dirt particles.

High on durability

Steel balls never lose their perfectly round shape even when they're on the move and under pressure. Depending on the Quadro version, up to 180 precision balls made of steel guarantee the incredibly smooth sliding action.

Tracking stability

The special profiles and precision steel ball bearings work in perfect harmony. This tracking stability guarantees perfect drawer action. All forces are evenly distributed for excellent vertical and lateral stability.



Hettich and the environment: committed to responsible practice, active protection, innovative thinking.



Hettich takes a responsibility for the world we live in. This awareness defines the strict policy of environmental management we practise. Our environmental officer has taken personal responsibility for these aspects throughout the group of companies over a period of many years. In addition, a separate environment committee has been established for each production site. We regard statutory provisions as minimum requirements. At significant sites we also implement the stringent EMAS Directive. And we drive forward developments that in the future will help to save even more raw materials and support the necessary endeavours towards sustainability.

Hettich standard for product materials

Hettich confirms its commitment by applying a rigid internal standard for product materials. This ensures that every product – from production to disposal – satisfies all environmental requirements. Products from Hettich come with a long life. Appropriately foresighted, our rigorous standards are formulated to ensure that international legislation is met as well. This provides a reliable basis for marketing hardware world-wide.

Hettich environmental management

In 1996 Hettich started introducing effective environmental management systems under the stringent EMAS Regulation (currently: EC Regulation No. 761/2001, including EN ISO 14.001/2004). This not only enables us to improve our environmental performance on a broad front but also to achieve a high level of safety, which also benefits our customers. This is why we also require our suppliers to meet the necessary minimum standards of environmental protection, industrial safety, health care and social welfare. The results achieved in the drawer-runner and drawer-system product segment at the Kirchlengern operation illustrate the impressive effects these measures have and verifiably demonstrate our tireless endeavours to translate words into action:

Relief to the environment between 1997 and 2008:

Specific water consumption:	56 per cent
Specific power consumption:	21 per cent
Specific heat consumption:	84 per cent
Specific CO2 emissions:	29 per cent

Full Access Quadro (FAQ)

► Face frame application



- Meets or exceeds ANSI/BHMA 156.9 grade 1 requirements.
- Dynamic load capacity up to 75 lbs (total, drawer incl. contents), as per ANSI/BHMA 156.9 grade 1 specifications on a 18" length slide. Length dependent.
- Full Access: economical solution with minimised extension loss.
- Stop Control: a spring-operated mechanism closes the drawer automatically.
- Silent System: an integrated damping device realises silent drawer closing.
- Slide-on assembly: simply push the drawer in for connection.
- Strong, resilient tracks and precision steel balls for optimal slide action.
- Integrated roll-out prevention inhibits accidental opening.
- Tool-free drawer height adjustment.
- Installation accessories include tolerance adjustment.
- IW21: for 5/8" [16mm] or 1/2" [13mm] drawer side thickness. IW25: for 3/4" [19mm] drawer side thickness. Left hand side IW21 or IW25, right hand side self-adjusting.

Full Access Quadro with Stop Control / Silent System

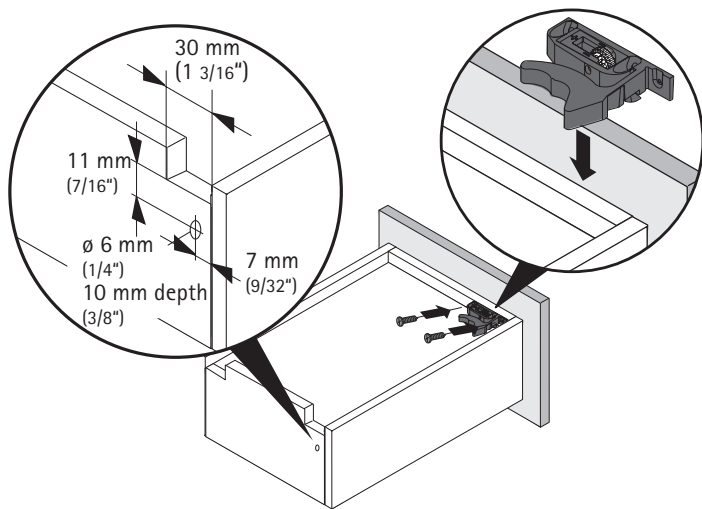
Item	Drawer box length		Order no. with Stop Control			Order no. with Silent System			QTY
	mm	(inch)	left hand side IW21	left hand side IW25	right hand side (IW21/IW25)	left hand side IW21	left hand side IW25	right hand side (IW21/IW25)	
FAQ 9"	229 mm	(9")	9 133 690	9 133 701	9 133 687	9 133 316	9 133 315	9 133 317	30
FAQ 12"	305 mm	(12")	9 133 703	9 133 704	9 133 702	9 133 313	9 133 312	9 133 314	30
FAQ 15"	381 mm	(15")	9 133 706	9 133 707	9 133 705	9 133 310	9 133 309	9 133 311	30
FAQ 18"	457 mm	(18")	9 133 709	9 133 710	9 133 708	9 133 307	9 133 306	9 133 308	30
FAQ 21"	533 mm	(21")	9 133 712	9 133 713	9 133 711	9 133 304	9 133 303	9 133 305	30

IW = Installation width

Front fixing clip set



- Set contains one front fixing clip left/right each
- For 5/8" [16 mm], 1/2" [13 mm] or 3/4" [19 mm] drawer subfront thickness
- With + 2.0 mm height adjustment
- Minimum drawer inside width = 165 mm (6 1/2")
- Installation recommended with two #6 - #8 x 3/4" flat head screws per clip

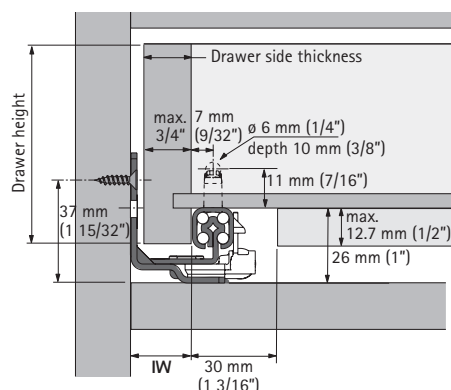


Item	Order no.	QTY
Front fixing clip set for 1/2"	9 140 416	100
	9 140 417	10
Front fixing clip set for 5/8"	9 140 418	100
	9 140 415	10
Front fixing clip set for 3/4"	9 140 418	100
	9 140 419	10

► Advice

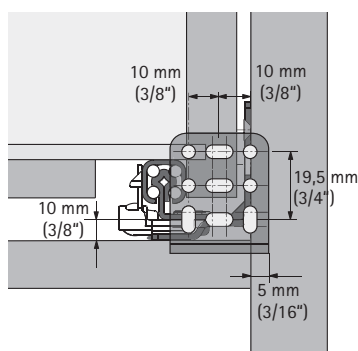
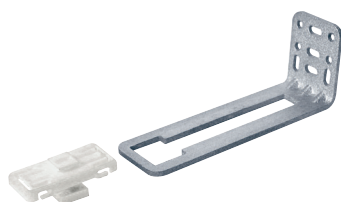
Dimensions in millimeters (inch approximations as noted). Subject to technical modification without notice.

Slide front view



- ▶ Installation recommended with one #6 - #8 flat head or $\varnothing 6.3 \times 14$ mm Euro screw per side

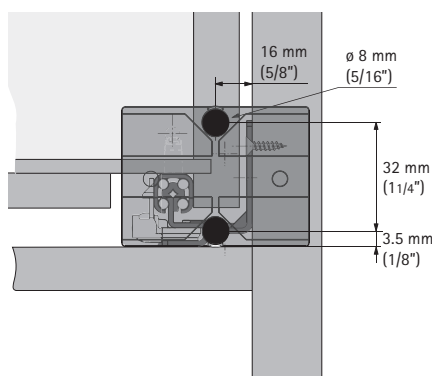
Metal rear attachment set (screw-on)



- ▶ 2 metal rear mount brackets
- ▶ 2 plastic connectors
- ▶ Non-handed, two-piece design
- ▶ For up to 50 mm (1 15/16") depth adjustment and ± 1.5 mm (1/16") side adjustment
- ▶ Additional adjustment via oblong holes
- ▶ Installation recommended with min. four #6 pan head screws or similar

Item	Order no.	QTY
Rear attachment set	9 055 093	10

Plastic rear attachment (TennTex Solutions)



- ▶ 2 plastic rear mount brackets
- ▶ Non-handed, two-piece design (pre-assembled)
- ▶ For up to 25.4 mm (1") depth adjustment and ± 16 mm (5/8") side-to-side self-alignment
- ▶ Non-detachable 8 mm dowels
- ▶ For 1/8" rear panel material thickness.

Item	Order no.	QTY
Rear attachment	1 133 505	100
Special socket for FAQ 9" with Silent System	1 135 467	100

Additional rear bracket versions (panel thickness 1/4", positioning, screw-on, peninsula, etc.) available on request.

Minimum / maximum cabinet depth

Drawer box length mm (inch)	Minimum cabinet depth with metal rear attachment mm (inch)	Minimum cabinet depth with plastic rear attachment (TennTex) mm (inch)	Maximum cabinet depth
229 mm (9")	282 mm (11 1/8")	280 (11")	Maximum cabinet depth = minimum cabinet depth + rear bracket adjustment range as noted in bracket descriptions
305 mm (12")	359 mm (14 1/8")	356 (14")	
381 mm (15")	435 mm (17 1/8")	432 (17")	
457 mm (18")	514 mm (20 1/8")	508 (20")	
533 mm (21")	590 mm (23 1/8")	584 (23")	

Inset application increases minimum cabinet depth. Trial recommended.

Full Access Quadro (FAQ)

► Frameless application



- Meets or exceeds ANSI/BHMA 156.9 grade 1 requirements.
- Full Access: economical solution with minimised extension loss.
- Stop Control: a spring-operated mechanism closes the drawer automatically.
- Silent System: an integrated damping device realises silent drawer closing.
- Slide-on assembly: simply push the drawer in for connection.
- Strong, resilient tracks and precision steel balls for optimal slide action.
- Integrated roll-out prevention inhibits accidental opening.
- Tool-free drawer height adjustment.
- Installation accessories include tolerance adjustment.
- For frameless cabinetry.
- IW21: for 5/8" [16mm] or 1/2" [13mm],
IW25: for 3/4" [19mm] drawer side thickness.

Full Access Quadro with Stop Control / Silent System

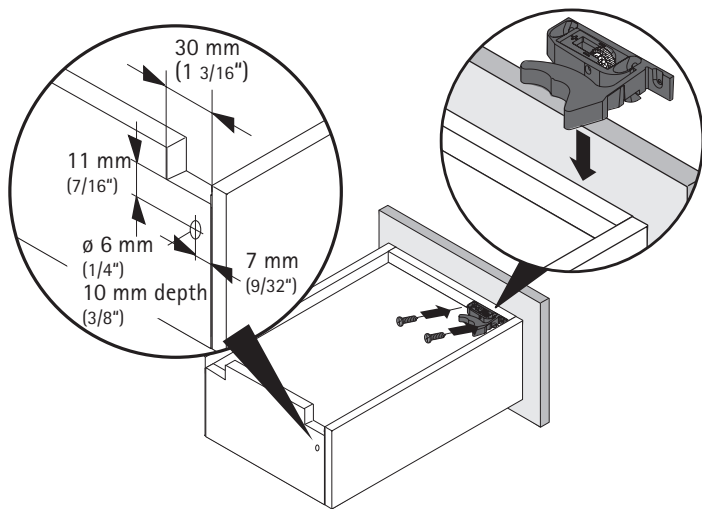
Item	Drawer box length		Order no. with Stop Control				Order no. with Silent System				QTY
	mm	(inch)	IW21 left	right	IW25 left	right	IW21 left	right	IW25 left	right	
FAQ 15"	381 mm	(15")	9 138 010	9 138 012	9 138 011	9 139 713	9 138 013	9 138 015	9 138 014	9 139 714	30
FAQ 18"	457 mm	(18")	9 138 004	9 138 006	9 138 005	9 139 711	9 138 007	9 138 009	9 138 008	9 139 712	30
FAQ 21"	533 mm	(21")	9 137 988	9 137 990	9 137 989	9 139 699	9 138 001	9 138 003	9 138 002	9 139 700	30

IW = Installation width

Front fixing clip set



- Set contains one front fixing clip left/right each
- For 5/8" [16 mm], 1/2" [13 mm] or 3/4" [19 mm] drawer subfront thickness
- With + 2.0 mm height adjustment
- Minimum drawer inside width = 165 mm (6 1/2")
- Installation recommended with two #6 - #8 x 3/4" flat head screws per clip

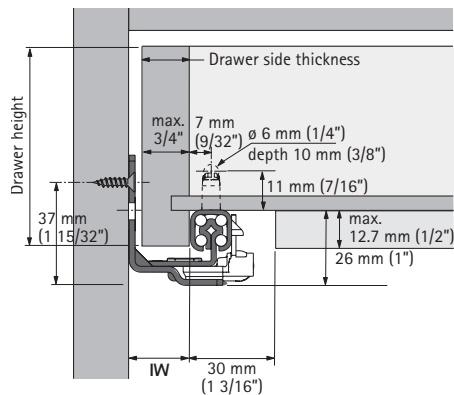


Item	Order no.	QTY
Front fixing clip set for 1/2"	9 140 416	100
	9 140 417	10
Front fixing clip set for 5/8"	9 140 418	100
	9 140 415	10
Front fixing clip set for 3/4"	9 140 418	100
	9 140 419	10

► Advice

Dimensions in millimeters (inch approximations as noted). Subject to technical modification without notice.

Slide front view



- Installation recommended with two #6 - #8 flat head or Ø 6.3 x 14 mm Euro screws per side

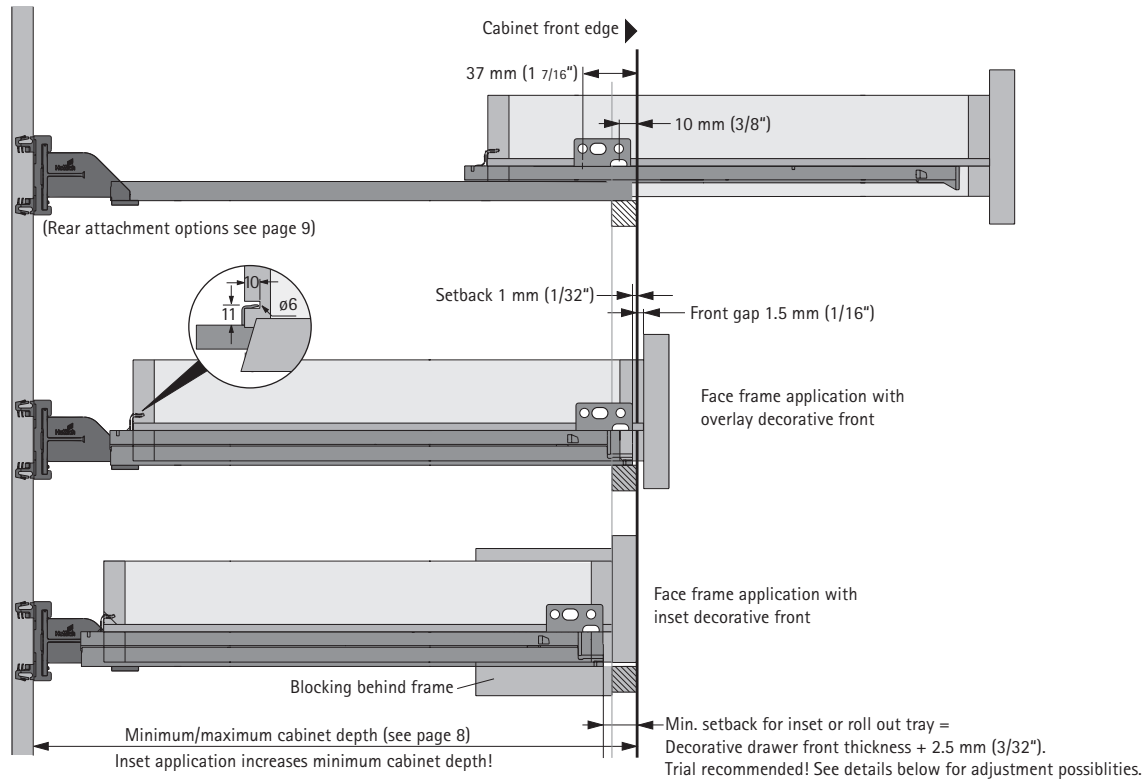
Minimum / maximum cabinet depth

Drawer box length mm (inch)	Minimum cabinet depth mm (inch)
381 mm (15")	425 mm (16 3/4")
457 mm (18")	501 mm (19 3/4")
533 mm (21")	578 mm (22 3/4")

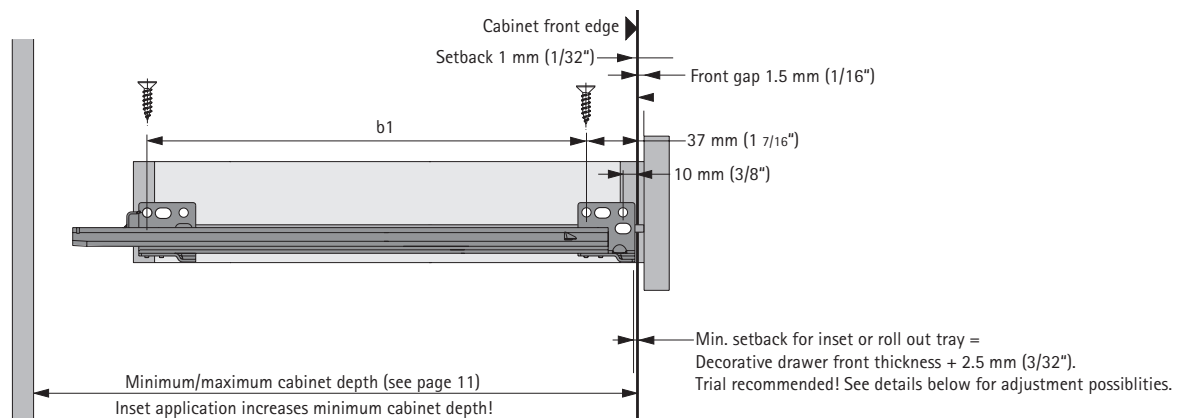
Full Access Quadro (FAQ)

► Mounting specifications

Mounting specifications – face frame application



Mounting specifications – framless application



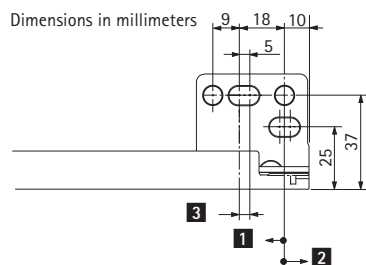
Item	b1 mm	(inch)
Full Access Quadro 15"	320 mm	(12 19/32")
Full Access Quadro 18"	416 mm	(16 3/8")
Full Access Quadro 21"	480 mm	(18 1/8")

Minimum two # 6 - # 8 flat head or
ø 6.3 x 14 mm Euro screws per side

► Advice

Dimensions in millimeters (inch approximations as noted).

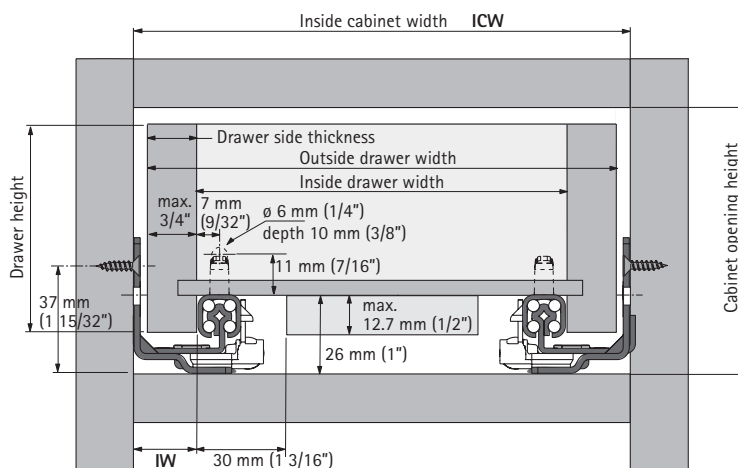
Adjustment possibilities – cabinet bracket details



- Drawer adjustments:
- 1** 2.5 mm (3/32") (in)
 - 2** 2.5 mm (3/32") (out)
 - 3** 5 mm (3/16") (range in/out)

Trial recommended!
Adjustment influences minium cabinet depth.

Drawer and cabinet dimensions



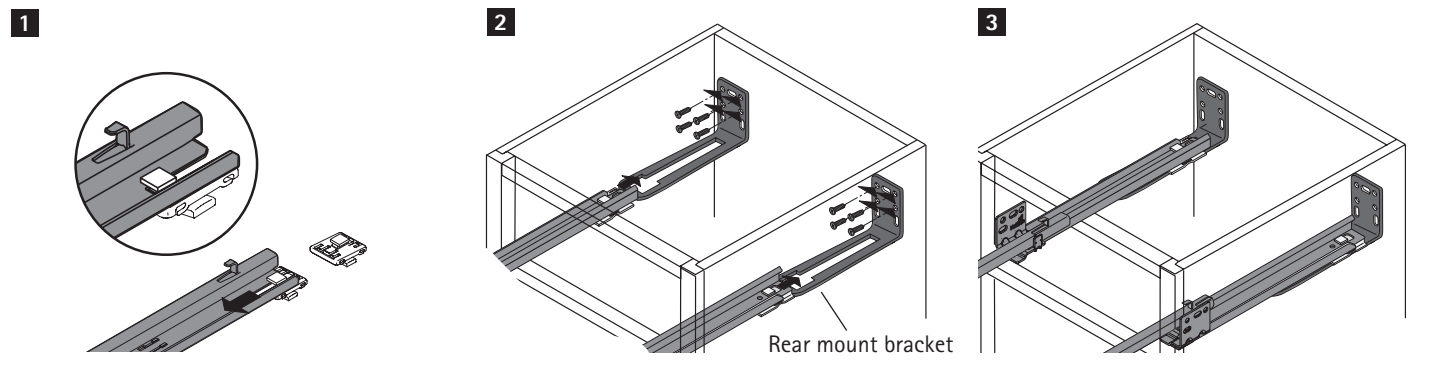
IW = Installation width	21 mm		25 mm		
	Drawer side thickness	13 mm (1/2")	16 mm (5/8")	13 mm (1/2")	16 mm (5/8")
Outside drawer width = ICW minus	16 mm (5/8")	10 mm (3/8")	24 mm (15/16")	18 mm (45/64")	12 mm (15/32")
Inside drawer width = ICW minus	42 mm (1 21/32")		50 mm (1 31/32")		

Maximum drawer height = cabinet opening height minus 20 mm (13/16")
Minimum cabinet opening height = drawer height plus 20 mm (13/16")

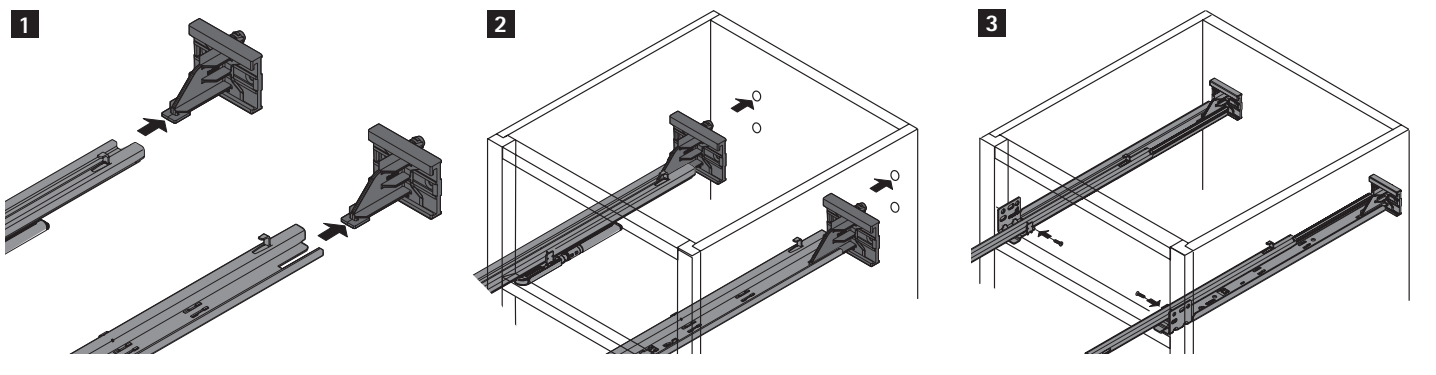
Full Access Quadro (FAQ)

► Assembly

Assembly with metal rear attachment



Assembly with plastic rear attachment

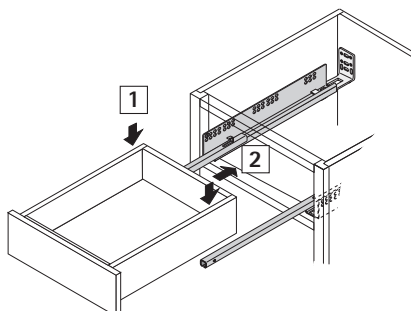


Assembly frameless application

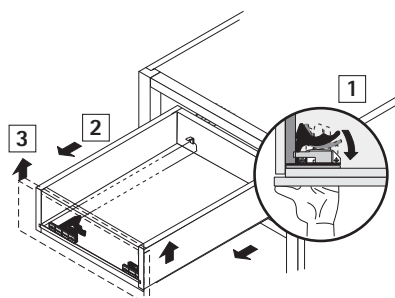


Assembly / Disassembly

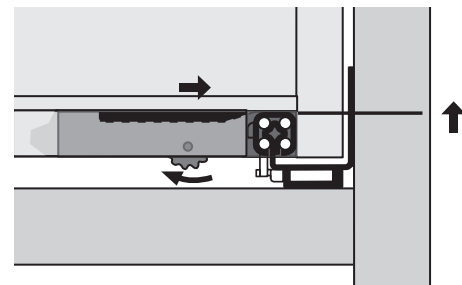
Drawer installation



Disassembly drawer



Toolless height adjustment + 2 mm via thumb wheel



Full Access Quadro (FAQ)

- ▶ Technical Information
- ▶ Legal Notice



Application

Hettich slides are suitable for use in living room and kitchen cabinets both in the home and business environment (face frame and frameless construction).

Load capacity and over-extension guard

The load capacity ANSI/BHMA 156.9, grade 1 stated in the catalogue is understood to mean the weight of the drawer itself including contents.

All Hettich slides feature guards to prevent the drawer from rolling out and being removed unintentionally and meet the requirements of the impact test in a test frame to ANSI/BHMA 156.9, grade 1.

Fitted in the proper manner, the slides featured in this catalogue are suitable for cabinet demands as described by K.C.M.A.

Corrosion test

Hettich slide systems satisfy the requirements on corrosion defined in DIN EN 15338, 72-hour condensation-water test to DIN EN 6270.

Material specification

Zinc-plated steel slide with permanently lubricated synthetic ball bearing races, hardened steel balls; spring loaded self-closing mechanism/non-fluid damping mechanism; zinc-plated steel or synthetic rear bracket; synthetic front fixing clip.

General technical conditions

The fitting instructions, screw-fixing points and loading information specified in this catalogue assume proper attachment in a cabinet material providing a screw pull-out resistance of > 1,000 N in accordance with DIN EN 320. Hettich accepts no responsibility for the use of materials or fastening methods other than those stated. If other materials or methods of attachment are used, the cabinet manufacturer is required to verify the system's load-bearing capacity.

General terms of sale and delivery:

All products and services will be provided exclusively on the basis of our General Terms of Sale and Delivery published on our website at www.hettich-agb.com.

Legal Notice

© Hettich Marketing- und Vertriebs GmbH & Co. KG
32278 Kirchlengern · Germany
July 2012

We reserve all rights to this catalogue under copyright law. It shall not be permissible to duplicate this catalogue in any form either in whole or in part without our written consent. Subject to technical alterations. Errors and omissions excepted. Subject to colour variations.

www.hettich.com

Hettich America, L.P.
4295 Hamilton Mill Road
Suite 400
Buford, GA 30518
Phone: 1-800-438-8424
Fax: 1-800-627-5152
info@hettichamerica.com

Order no.: 9138692
1110-031-QUADRO-0712-USA/en

Technik für Möbel

