

Quadro IW 21

The ball bearing principle
for lifetime satisfaction



Quadro – designed for a very long life



End-to-end quality

Quadro runners have a supreme track record for quality and reliability. Master-minded over 20 years ago and continually improved, they embody fittings technology at its best from one of Germany's – and the world's – largest furniture fittings manufacturer.



Self-cleaning

Dirt doesn't stand a chance in a Quadro runner. The system is self-cleaning. Any dirt is simply swept aside by the steel balls as they traverse along the track. Even after long service, the silky smooth action will not be impaired by dirt particles.



High on durability

Steel balls never lose their perfectly round shape even when they're on the move and under pressure. Depending on the Quadro version, up to 180 precision balls made of chrome-hardened steel guarantee the incredibly smooth sliding action.

Tracking stability

The special profiles and precision steel balls work in perfect harmony. This tracking stability guarantees perfect drawer action. All forces are evenly distributed for excellent vertical and lateral stability.



Silent System – sounds great!

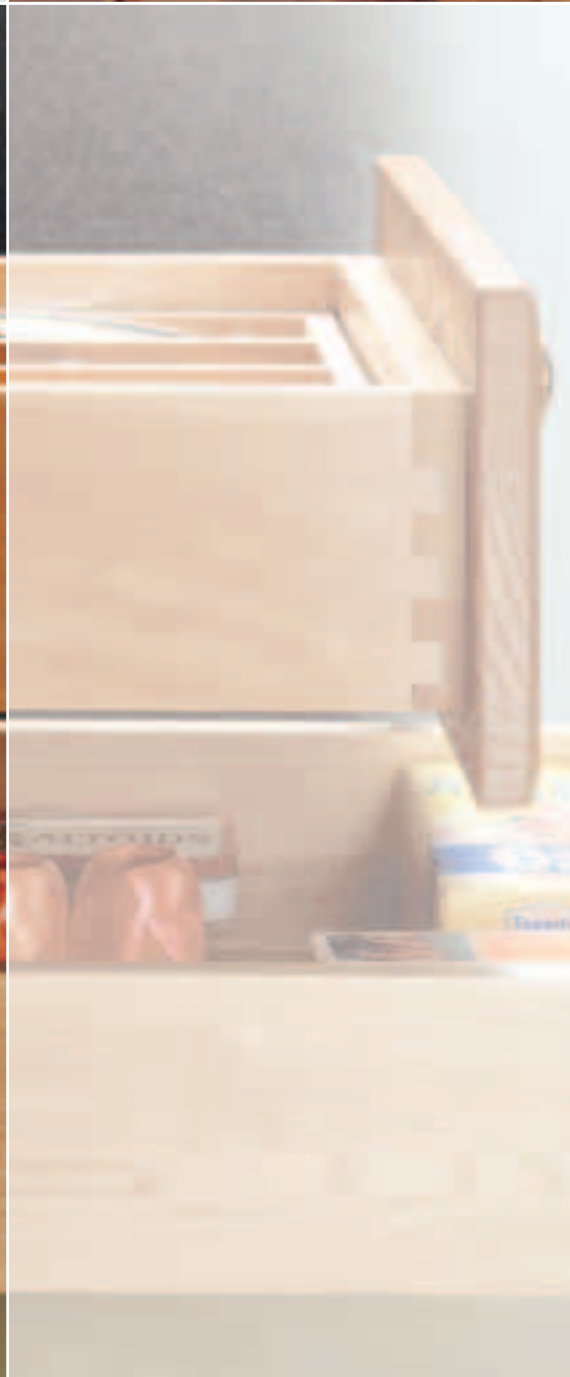


How Silent System closes drawers with Quadro IW21 softly and soundless

Noise levels in the kitchen shoot up when drawers are closed vigorously. The front slams against the unit. Drawer contents rattle. Contents get shaken up. Things clatter, nerves jangle. Drawers with Silent System banish this type of disturbance from the kitchen. They help to create a relaxed mood and a more efficient working environment.

Silent System closes all drawers gently and softly – from lightly laden cutlery drawers. Silent System is integrated in the Quadro IW21 runner saving kitchen manufacturers additional production steps. Silent System is completely invisible, completely effective and very impressive.

Quadro – the ball bearing principle...





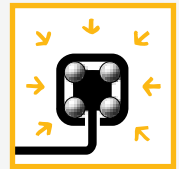
You'll hardly hear a Quadro and you won't see it at all. The concealed Quadro runner is a particularly good choice for high-quality furniture: only the perfect function reveals the advanced technology that is built into the furniture.

Quadro partial and full extension runners are compatible for face frame and frameless cabinets – of course with an optional side or rear attachment.

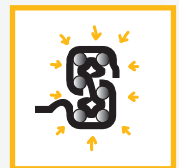
...for lifetime satisfaction



Quadro IW21 partial extension



Quadro IW21 full extension

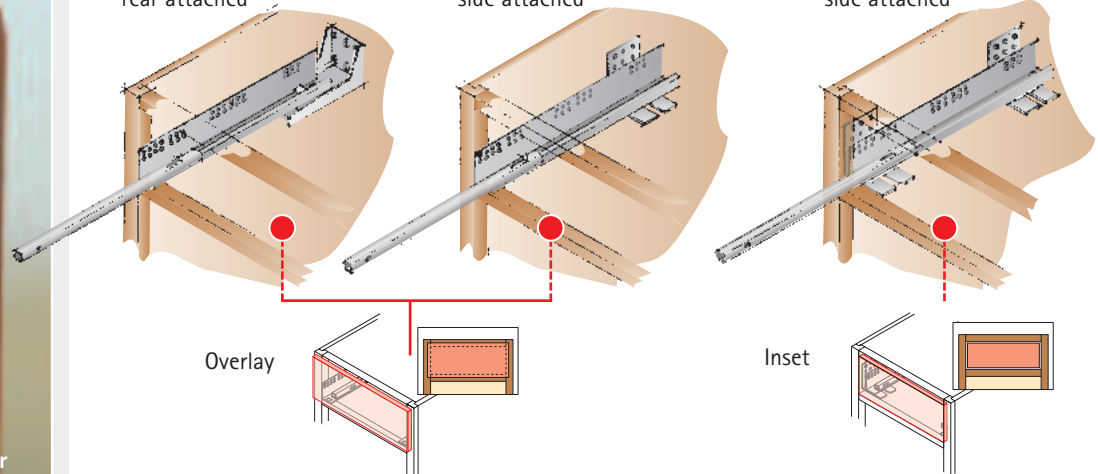


Quadro IW21 partial and full extension permit 3 different configurations:

Face frame rear attached

Face frame side attached

Inset application side attached



Quadro partial and full extension drawer

QUADRO IW 21

Partial-extension runner for wooden drawers

Load capacity up to 75 lbs dynamic, 100 lbs static



- Load capacity up to 75 lbs dynamic, 100 lbs static
- Perfect vertical and lateral stability.
The robust, resilient tracks ensure optimal runner action through precision-guided steel balls.
- Maintenance-free through self-cleaning ball tracks.
- **Selfclose** – the spring-operated mechanism acts independently of load and closes the drawer safely and automatically.
- **Slide-on assembly** – simply place the drawer on the runners and push in for connection.
- **Flexibility through interchangeability** – Quadro partial and full extension runners interchange without altering drawer dimensions.
- For 5/8" (16 mm) drawer material thickness and 1/2" (12 mm).

Article	Order no.	Cabinet depth inch	Drawer box length inch	Sets per box
Quadro IW 21 partial extension 9"	9 022 783	9 9/16 - 13 1/8	9	10
Quadro IW 21 partial extension 12"	9 022 774	12 3/4 - 15 3/8	12	10
Quadro IW 21 partial extension 15"	9 022 762	15 3/4 - 18 3/8	15	10
Quadro IW 21 partial extension 18"	9 022 751	18 3/4 - 21 3/8	18	10
Quadro IW 21 partial extension 21"	9 022 729	21 3/4 - 24 3/8	21	10

Values are based on using plastic rear attachment set (9 026 835)

When using metal rear attachment set (9 055 093) add 1/6" to max. cabinet depth

Quadro IW 21 accessories

Front fixing clip set

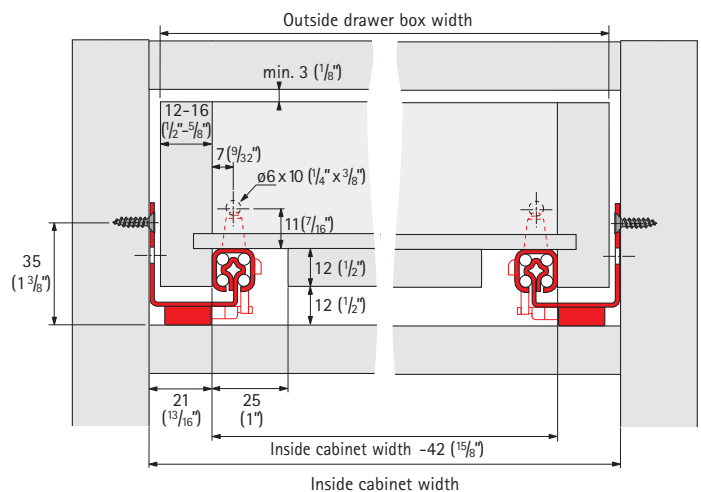
contains:

- 1 front fixing clip left
- 1 front fixing clip right
- 2 spacers for 1/2" (12 mm) box thickness



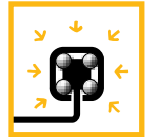
Article	Order no.	PU
Front fixing clip set	9 026 839	10 sets

Dimensions

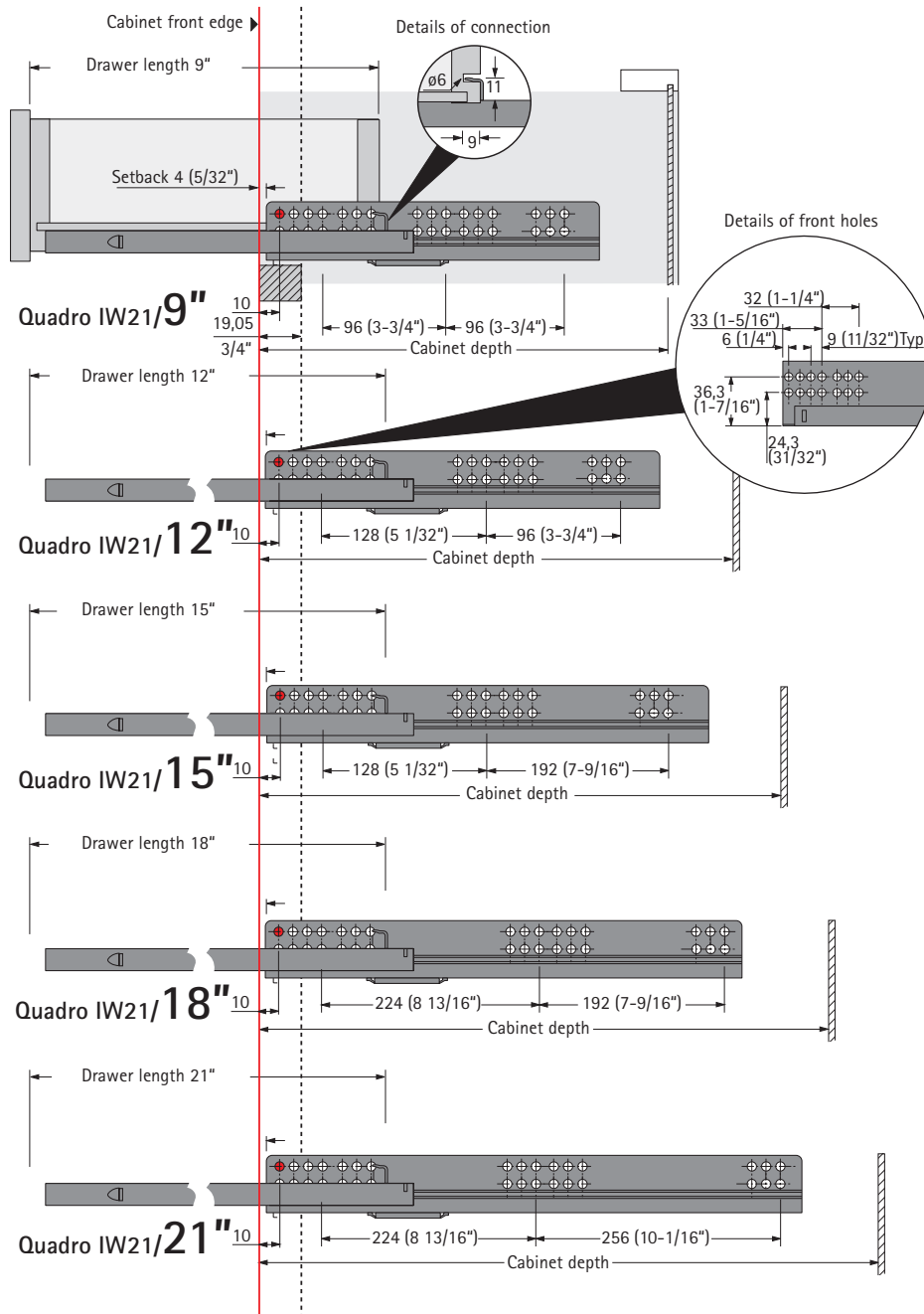


Outside drawer box width

For box thickness	Deduct from inside cabinet width
1/2"	5/8"
5/8"	3/8"



Hole pattern for Quadro IW 21
Drawer length 9" - 21"



QUADRO IW 21

Full-extension runner for wooden drawers

Load capacity up to 75 lbs dynamic, 100 lbs static



- Load capacity up to 75 lbs dynamic, 100 lbs static
- Perfect vertical and lateral stability.
The robust, resilient tracks ensure optimal runner action through precision-guided steel balls.
- Maintenance-free through self-cleaning ball tracks.
- **Selfclose** – the spring-operated mechanism acts independently of load and closes the drawer safely and automatically.
- **Slide-on assembly** – simply place the drawer on the runners and push in for connection.
- **Flexibility through interchangeability** – Quadro partial and full extension runners interchange without altering drawer dimensions.
- For 5/8" (16 mm) drawer material thickness and 1/2" (12 mm).

Article	Order no.	Cabinet depth inch	Drawer box length inch	Sets per box
Quadro IW 21 full extension 9"	9 026 381	9 9/16 - 13 1/8	9	10
Quadro IW 21 full extension 12"	9 026 422	12 3/4 - 15 3/8	12	10
Quadro IW 21 full extension 15"	9 026 410	15 3/4 - 18 3/8	15	10
Quadro IW 21 full extension 18"	9 026 309	18 3/4 - 21 3/8	18	10
Quadro IW 21 full extension 21"	9 026 277	21 3/4 - 24 3/8	21	10

Values are based on using plastic rear attachment set (9 026 835)

When using metal rear attachment set (9 055 093) add 1/6" to max. cabinet depth

Quadro IW 21 accessories

Front fixing clip set

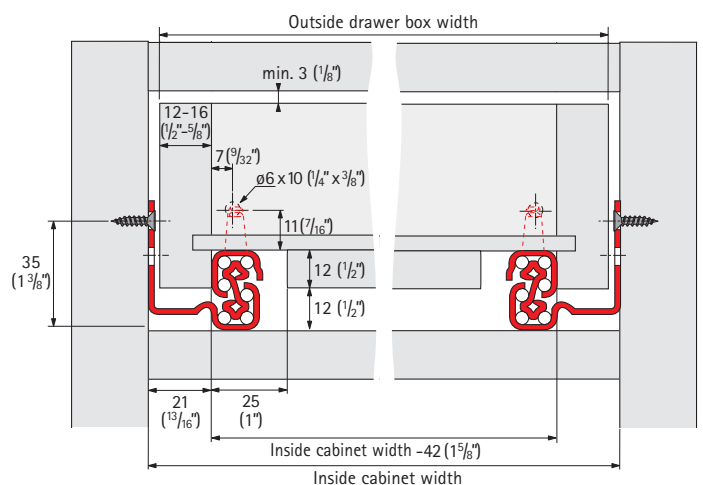
contains:

- 1 front fixing clip left
- 1 front fixing clip right
- 2 spacers for 1/2" (12 mm) box thickness



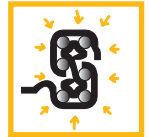
Article	Order no.	PU
Front fixing clip set	9 026 839	10 sets

Assembly front fixing clip

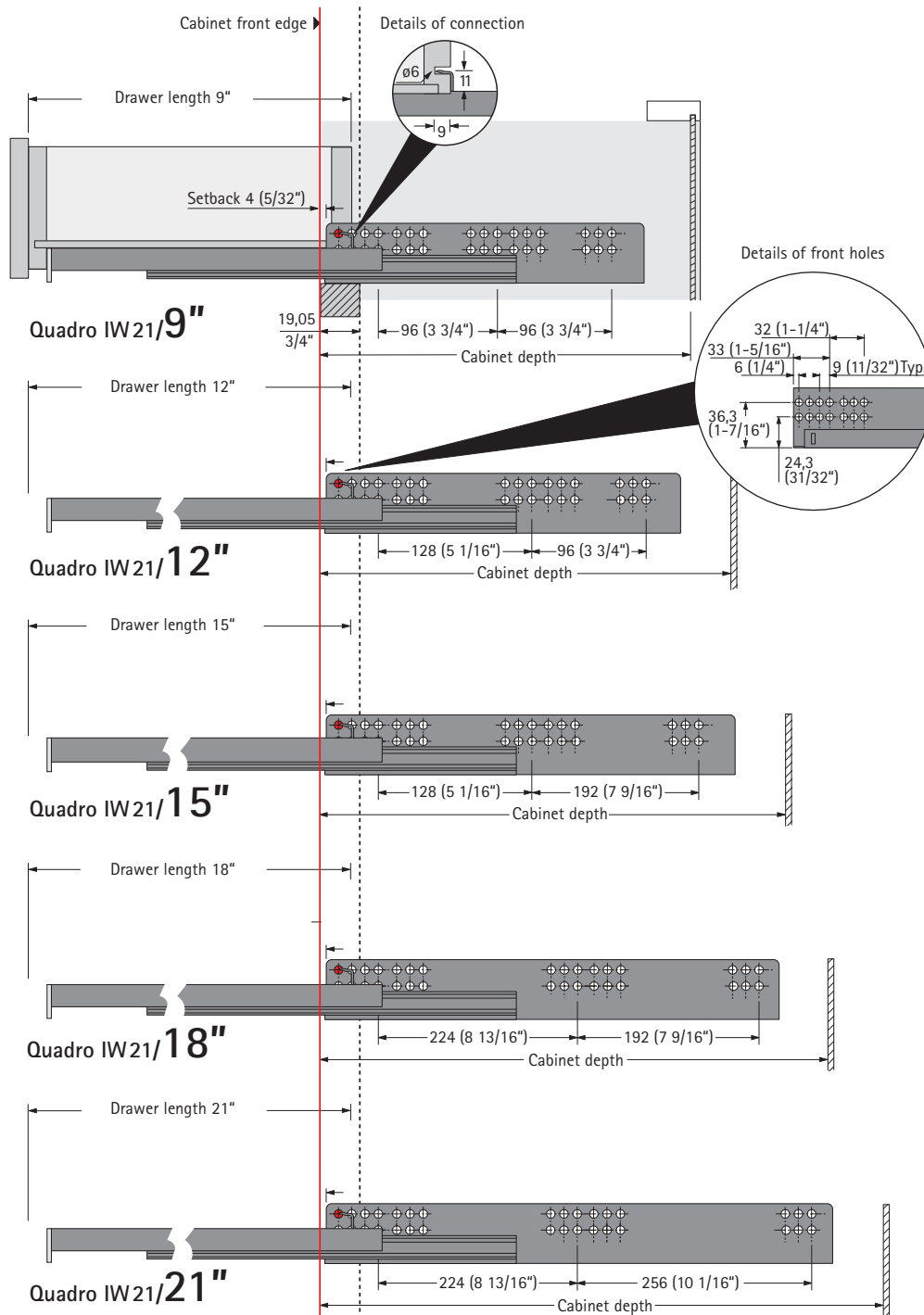


Outside drawer box width

For box thickness	Deduct from inside cabinet width
1/2"	5/8"
5/8"	3/8"



Hole pattern for Quadro IW 21
Drawer length 9" - 21"



QUADRO IW 21 Silent System

Full-extension runner for wooden drawers

Load capacity up to 75 lbs dynamic, 100 lbs static



- Load capacity up to 75 lbs dynamic, 100 lbs static
- Perfect vertical and lateral stability.
The robust, resilient tracks ensure optimal runner action through precision-guided steel balls.
- Maintenance-free through self-cleaning ball tracks.
- **Soft closure with selfclose** – the spring-operated mechanism acts independently of load and closes the drawer safely and automatically.
- **Slide-on assembly** – simply place the drawer on the runners and push in for connection.
- **Flexibility through interchangeability** – Quadro partial and full extension runners interchange without altering drawer dimensions.
- For 5/8" (16 mm) drawer material thickness and 1/2" (12 mm).
- **Silent System:** the damping device integrated in Quadro IW 21 closes the drawer softly and soundlessly.

Article	Order no.	Cabinet depth inch	Drawer box length inch	Sets per box
Quadro IW 21 Silent System 9"	9 048 982	9 9/16 - 13 1/8	9	10
Quadro IW 21 Silent System 12"	9 048 740	12 3/4 - 15 3/8	12	10
Quadro IW 21 Silent System 15"	9 048 976	15 3/4 - 18 3/8	15	10
Quadro IW 21 Silent System 18"	9 048 793	18 3/4 - 21 3/8	18	10
Quadro IW 21 Silent System 21"	9 048 776	21 3/4 - 24 3/8	21	10

Values are based on using plastic rear attachment set (9 026 835)
When using metal rear attachment set (9 055 093) add 1/6" to max. cabinet depth

Quadro IW 21 accessories

Front fixing clip set

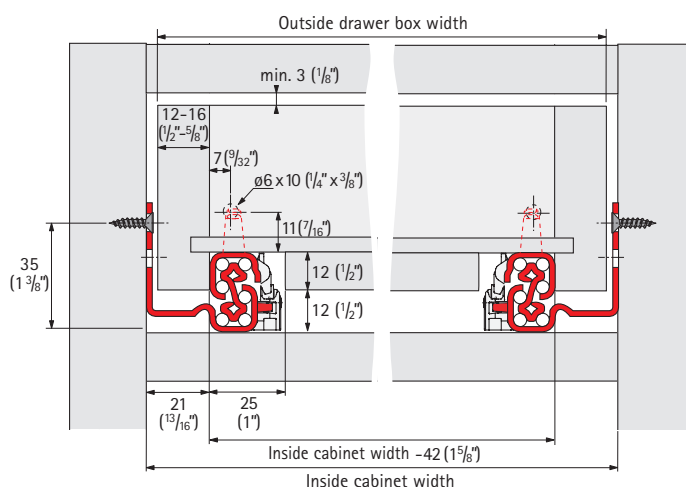
contains:

- 1 front fixing clip left
- 1 front fixing clip right
- 2 spacers for 1/2" (12 mm) box thickness



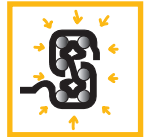
Article	Order no.	PU
Front fixing clip set	9 026 839	10 sets

Assembly front fixing clip

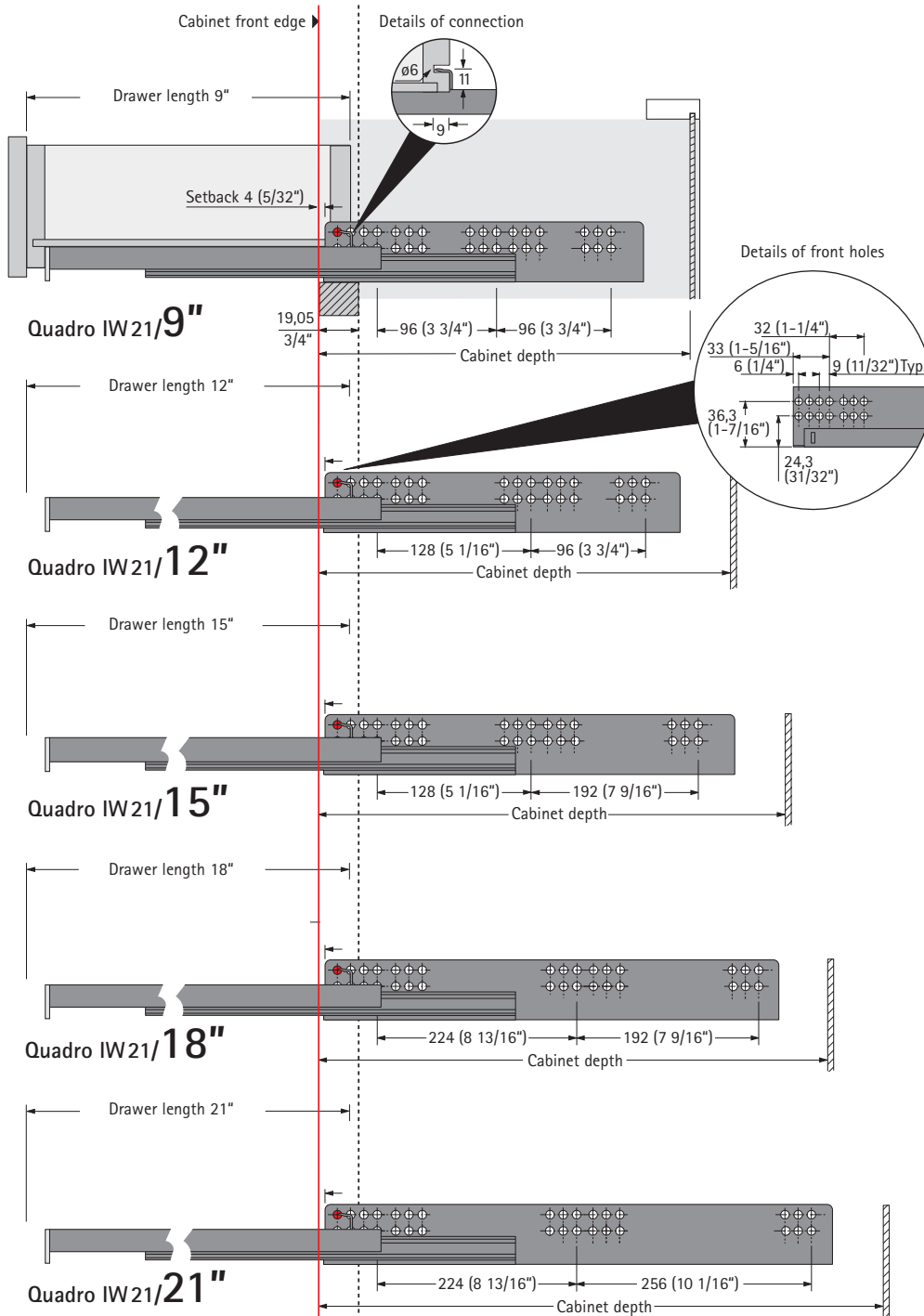


Outside drawer box width

For box thickness	Deduct from inside cabinet width
1/2"	5/8"
5/8"	3/8"



Hole pattern for Quadro IW 21
Drawer length 9" - 21"



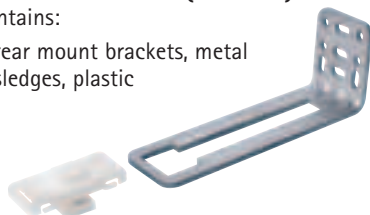
QUADRO IW 21

Optional accessories

Rear attachment set (screw-on)

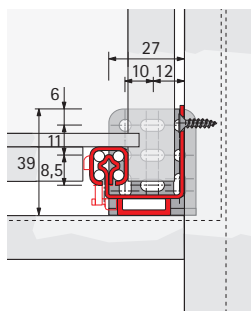
contains:

2 rear mount brackets, metal
2 sledges, plastic



Side adjustment $\pm 1,5$ mm
Additional adjustment via oblong holes

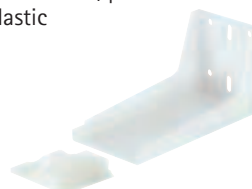
Article	Order no.	PU
Rear attachment set	9055093	10 sets



Rear attachment set

contains:

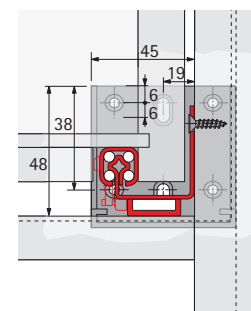
2 rear mount brackets, plastic
2 sledges, plastic



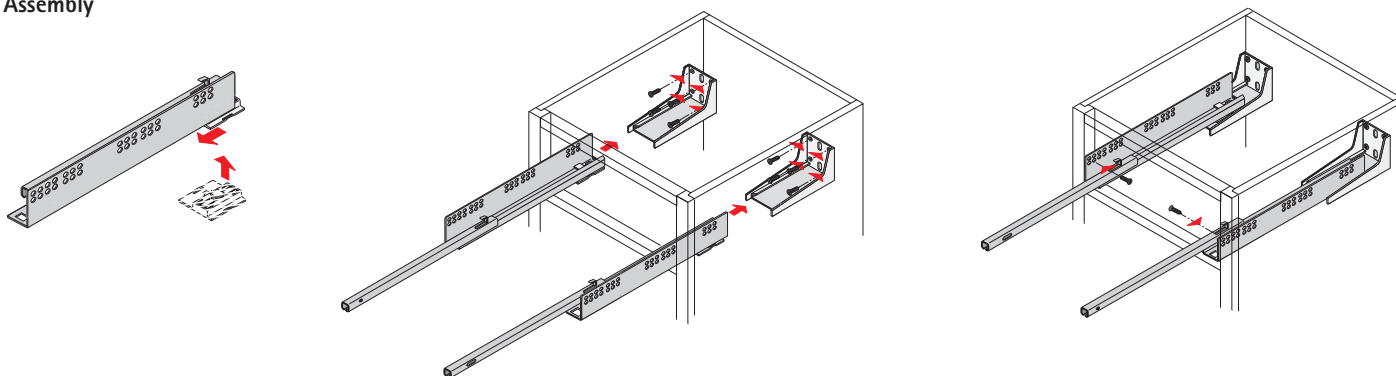
Side adjustment $\pm 1,5$ mm

Article	Order no.	PU
Rear attachment set	9026835	10 sets

Location of rear bracket



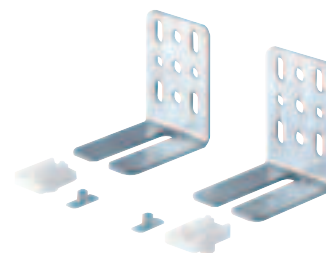
Assembly



Side attachment set

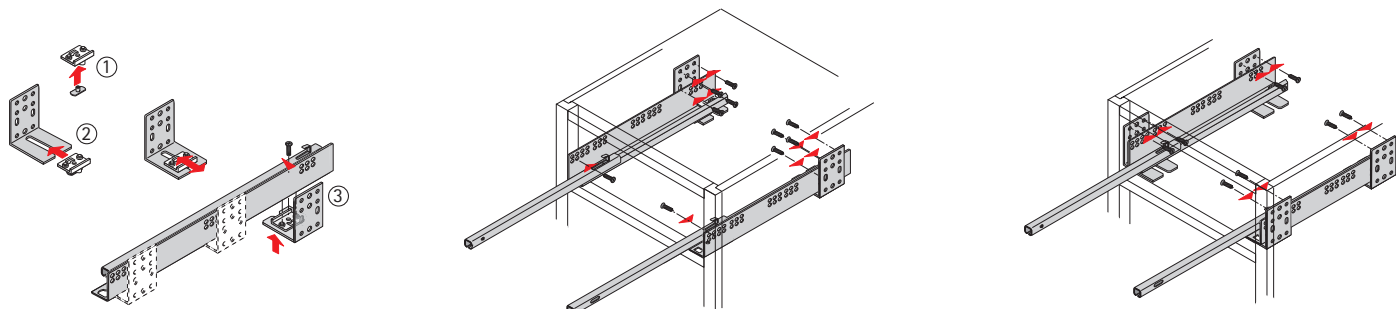
contains:

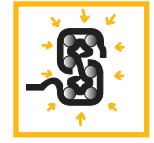
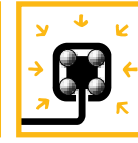
2 side brackets, metal
2 fixing items, plastic
2 special connecting nuts
2 connecting screws M4



Article	Order no.	Sets per box
Side attachment set	9036837	10 sets

Assembly

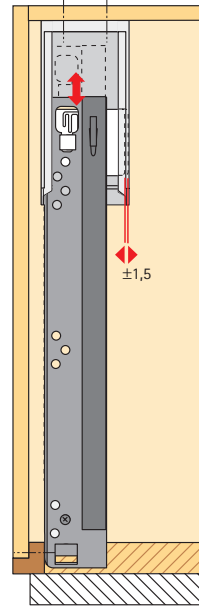
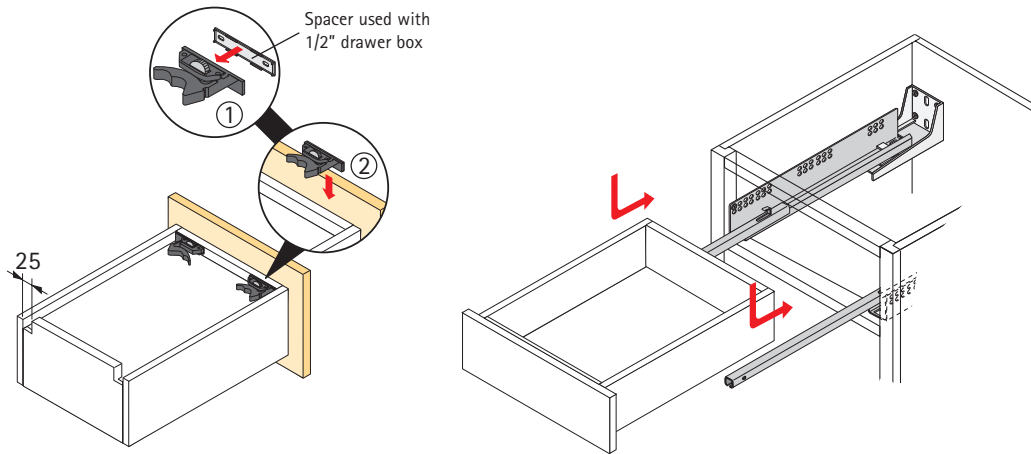




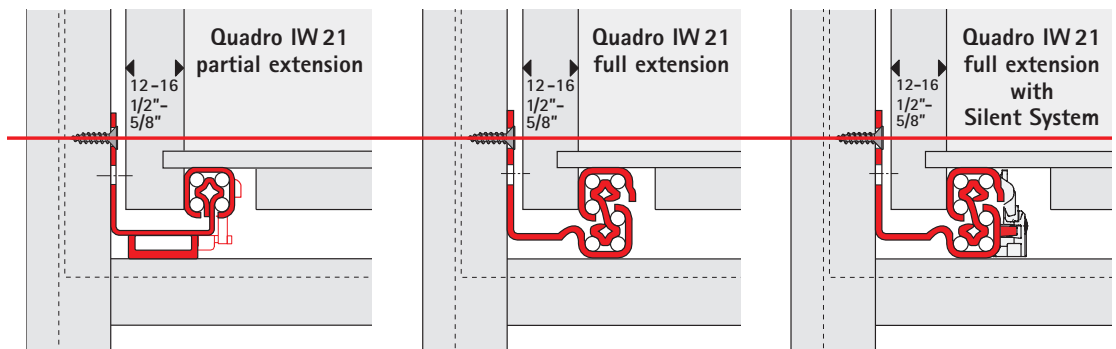
Assembly

The flexible rear connector is capable of serving different cabinet depths with just one drawer length.

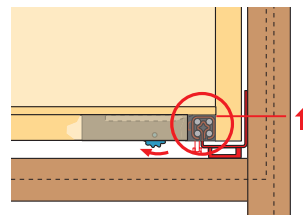
Drawer must be notched at rear



The hole pattern is identical for Quadro IW 21 partial, full extension runners and full extension runners with Silent System.



Toolless height adjustment + 2 mm



Disassembly

