

5349-9WM SERIES

PREMIERE RECYCLE CENTER

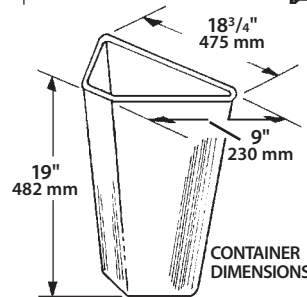
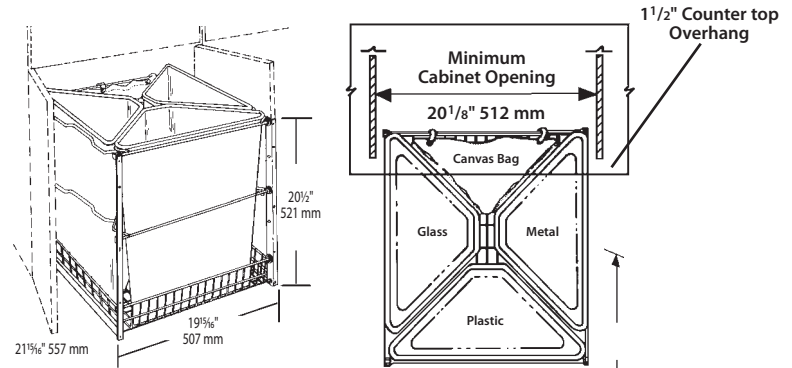
The Rev-A-Shelf recycling center is the ideal waste container for the environmentally conscious with four divided sections for plastic, glass, metal and paper...and it's now available with Compagnucci Aluminum Slides. The 5349-9WM Series is available in your choice of three color-coded or three white 25 Qt. polymer containers for plastic, glass and metal with a canvas bag for paper items. This Recycle Center features heavy-duty brushed aluminum soft-closing slides that provide exceptional support and stability eliminating that side-to-side movement and a fully adjustable door mount frame.



5349-9WM-C with International Recycling Colors



5349-9WM-W with White Containers



Container Capacity: 25 Qt. Ea.
Canvas Bag Capacity: 18 Qt.



Door mount extenders sold separately.



You asked for it ... REV-A-SHELF® delivered!

These items feature soft-close! The same smooth sliding, heavy-duty slides you expect from Rev-A-Shelf, with a cutting-edge soft-close design.

PRODUCT #s	DESCRIPTION	PRODUCT DIMENSIONS	FINISH	SET PER CARTON	WEIGHT PER CARTON	SUGGESTED LIST PRICE
Pullout Waste Recycling Center						
Individual Pack						
5349-9WM-W	White Recycle Center	19 ⁵ / ₁₆ " (507 mm)W x 21 ⁵ / ₁₆ " (557 mm)D x 20 ¹ / ₂ " (521 mm)H	Polymer	1	23 lbs.	\$497.35
5349-9WM-C	Tri-Color Recycle Center	19 ⁵ / ₁₆ " (507 mm)W x 21 ⁵ / ₁₆ " (557 mm)D x 20 ¹ / ₂ " (521 mm)H	Polymer	1	23 lbs.	\$497.35
5345-DM-KIT-52	Door Mount Extenders		Chrome	1	2 lbs.	\$37.85
6770-11-52	Replacement Canvas Bags		Canvas	1	2 lbs.	\$24.65
9700-60*-52	Replacement Containers	* = Y-Yellow, G-Green, B-Blue or W-White	Polymer	1	5 lbs.	\$24.80

NOTES:

100# Weight Rating

**Container Colors - W=white, C=multi-colored (B=blue, G=green, Y=yellow)

5345 Door Mount Extenders SOLD SEPARATELY!

CONTAINS:

Complete with (3) polymer containers (25 Qts.) and (1) washable canvas bag (18 Qts.), heavy duty full-extension slides, frame and mounting screws. Fully Assembled

Order online at www.OVISonline.com/ras

Please Note: Some items shown may not be in stock, but can be special ordered

OVIS
A Division of WIM Corp. www.OVISonline.com
©230 Jack Burlingame Dr.
Millwood, WV 25262
800-326-6847 Phone
800-755-0856 Fax



WASTE CONTAINERS
Premiere
Cabinet Accessories