

596 SERIES

U-SHAPED TRAY DIVIDER

SINK & BASE ACCESSORIES
Rev-A-Shelf
 Accessible Storage

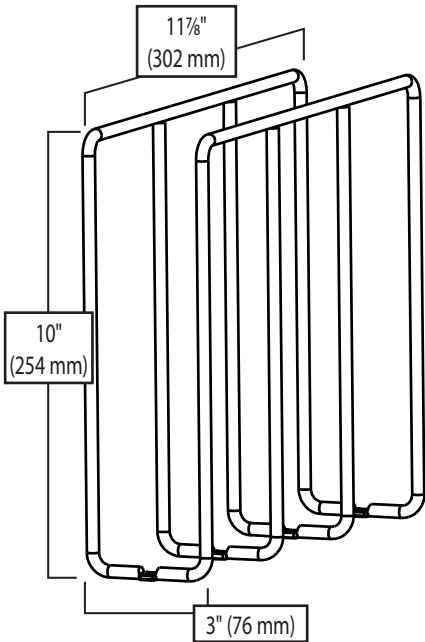


Storing platters and cookie trays just got easier with the U-Shaped Tray Divider. Use one or more to create custom storage space in either wall or base cabinets. The sturdy construction and beautiful chrome finish provide durability and style while the easy four-screw installation gets you organizing your cabinets in seconds.

Use two for extra storage



Simple bottom mount installation



PRODUCT #'s	DESCRIPTION	PRODUCT DIMENSIONS	FINISH	SET PER CARTON	WEIGHT PER CARTON	SUGGESTED LIST PRICE
596-10CR-52	U-Shaped Tray Divider	3" (76 mm)W x 11 7/8" (302 mm)D x 10" (254 mm)H	Chrome	1	2.2 lbs.	\$20.30

U-Shaped Tray Divider

Individual Pack

Order online at www.OVISONline.com/ras
 Please Note: Some items shown may not be in stock, but can be special ordered

OVIS
 A Division of WIM Corp. www.OVISONline.com
 ©230 Jack Burlingame Dr.
 Millwood, WV 25262
 800-326-6847 Phone
 800-755-0856 Fax

