

5PD SERIES

PREMIERE PULL-DOWN SHELVING SYSTEM

Tired of dragging the dining room chair into the kitchen to reach everything in your wall cabinet? Introducing Rev-A-Shelf's magnificent Pull-Down Shelving System. The 5PD Series is a chrome-plated two-tier pull-down shelf that brings hard-to-reach items down 10" while pulling out 14¾" from the cabinet. This functional pullout features a unique gas assisted lifting/lowering mechanism that provides unparalleled stability through the entire range of motion. The Pull-Down Shelving System includes both side and bottom mount brackets and is available for Wall 24" and 36" cabinets.



WALL
ACCESSORIES

Premiere
Cabinet Accessories

Order online at www.OVISONline.com/ras
Please Note: Some items shown may not be in stock, but can be special ordered

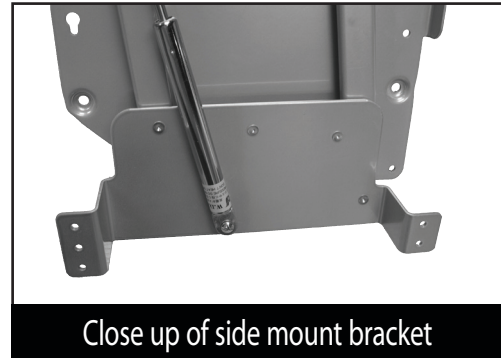
OVIS
A Division of WIM Corp.

©230 Jack Burlingame Dr.
Millwood, WV 25262
800-326-6847 Phone
800-755-0856 Fax
www.OVISONline.com

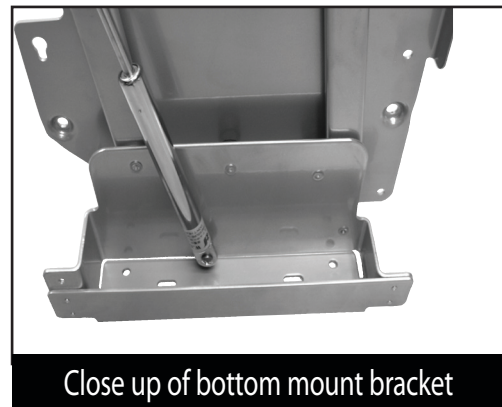
REV-A-SHELF



42" Wall Cabinet utilizing (2) 5PD-36CR

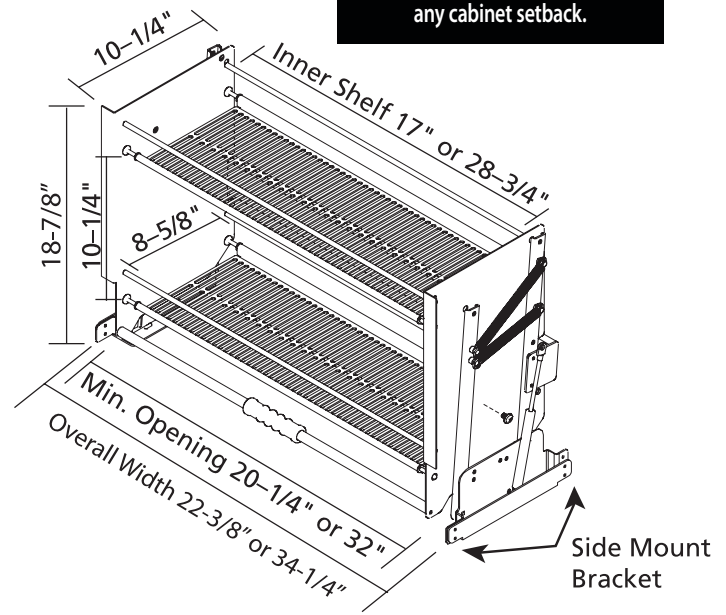
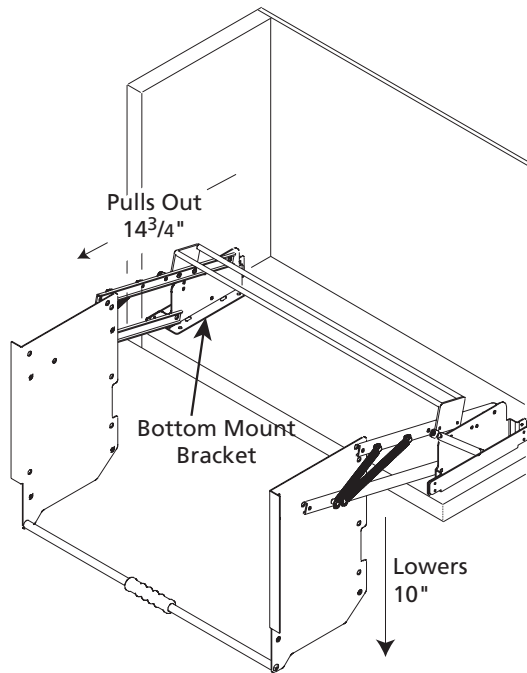


Close up of side mount bracket



Close up of bottom mount bracket

Minimum Inside Cabinet Width
 Bottom Mount 22³/₈" or 34¹/₄"
 Side Mount 22³/₁₆" or 34"



NOTE: These units will not allow any cabinet setback.

WALL ACCESSORIES
Premiere Cabinet Accessories

PRODUCT #s	DESCRIPTION	PRODUCT DIMENSIONS	FINISH	SET PER CARTON	WEIGHT PER CARTON	SUGGESTED LIST PRICE
Pull Down Shelving System				Individual Pack		
5PD-24CR	Pull-Down Shelving System	Min. Opening 20 ¹ / ₄ " (515 mm)W x 10 ¹ / ₂ " (268 mm)D x 18 ⁵ / ₁₆ " (465 mm)H	Metal/Chrome	1	23 lbs.	\$303.35
5PD-36CR	Pull-Down Shelving System	Min. Opening 32" (813 mm)W x 10 ¹ / ₂ " (268 mm)D x 18 ⁵ / ₁₆ " (465 mm)H	Metal/Chrome	1	27 lbs.	\$316.40

CONTAINS:
 (1) shelving unit, mounting brackets, screws and instructions

Order online at www.OVISONline.com/ras
 Please Note: Some items shown may not be in stock, but can be special ordered

OVIS
 A Division of WIM Corp. www.OVISONline.com
 ©230 Jack Burlingame Dr.
 Millwood, WV 25262
 800-326-6847 Phone
 800-755-0856 Fax

