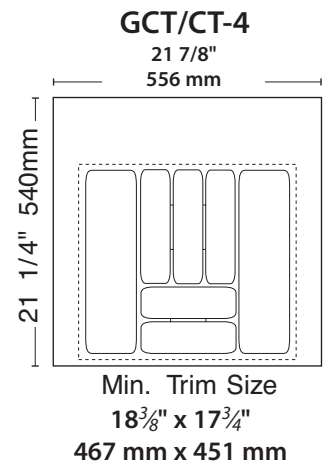
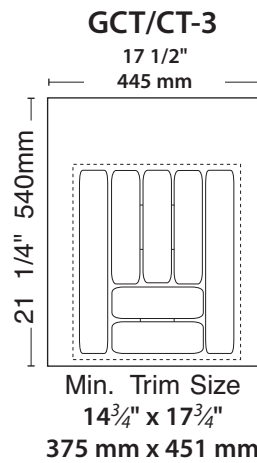
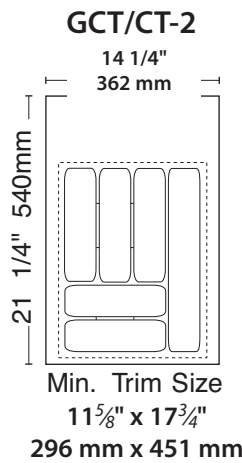
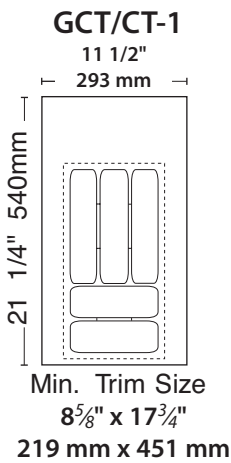


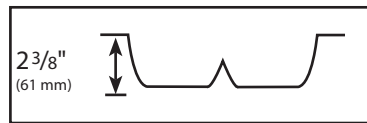
Get rid of cluttered drawers with Rev-A-Shelf's Cutlery Trays. The CT/GCT Series is available in four styles and four size variations with rubberized polystyrene to allow easy trimming for a perfect fit in any drawer. This single drawer insert is available in glossy or textured finish and white, almond or metallic silver colors.



DRAWER ACCESSORIES



**GCT DENOTES GLOSSY FINISH.  
CT DENOTES TEXTURE FINISH.  
GLOSSY AVAILABLE IN WHITE & SILVER**



**NOTE: ALL CUTLERY AND UTILITY TRAYS ARE NOW 2 3/8" (61 mm) HIGH.**

PRODUCT #s	DESCRIPTION	TRAY PRODUCT DIMENSIONS	MINIMUM TRIM PRODUCT DIMENSIONS	FINISH	SET PER CARTON	WEIGHT PER CARTON	SUGGESTED LIST PRICE W/A	SUGGESTED L.P. SILVER
<b>Polymer Cutlery Tray</b>					<b>Individual Pack</b>			
CT-1*-52	Cutlery Tray	11 1/2" (293 mm)W x 21 1/4" (540 mm)D	8 5/8" (219 mm)W x 17 3/4" (451 mm)D	Polymer Trays	1	2 lbs.	\$14.05	\$14.80
CT-2*-52	Cutlery Tray	14 1/4" (362 mm)W x 21 1/4" (540 mm)D	11 5/8" (296 mm)W x 17 3/4" (451 mm)D	Polymer Trays	1	2 lbs.	\$15.50	\$16.25
CT-3*-52	Cutlery Tray	17 1/2" (445 mm)W x 21 1/4" (540 mm)D	14 3/4" (375 mm)W x 17 3/4" (451 mm)D	Polymer Trays	1	3 lbs.	\$18.15	\$19.00
CT-4*-52	Cutlery Tray	21 7/8" (556 mm)W x 21 1/4" (540 mm)D	18 3/8" (467 mm)W x 17 3/4" (451 mm)D	Polymer Trays	1	3 lbs.	\$19.15	\$20.15
<b>Polymer Cutlery Tray</b>					<b>Bulk Pack</b>			
CT-1*-10	Cutlery Tray	11 1/2" (293 mm)W x 21 1/4" (540 mm)D	8 5/8" (219 mm)W x 17 3/4" (451 mm)D	Polymer Trays	10	20 lbs.	\$12.20 ea.	N/A
CT-2*-20	Cutlery Tray	14 1/4" (362 mm)W x 21 1/4" (540 mm)D	11 5/8" (296 mm)W x 17 3/4" (451 mm)D	Polymer Trays	20	20 lbs.	\$12.45 ea.	N/A
CT-3*-20	Cutlery Tray	17 1/2" (445 mm)W x 21 1/4" (540 mm)D	14 3/4" (375 mm)W x 17 3/4" (451 mm)D	Polymer Trays	20	30 lbs.	\$14.65 ea.	N/A
CT-4*-10	Cutlery Tray	21 7/8" (556 mm)W x 21 1/4" (540 mm)D	18 3/8" (467 mm)W x 17 3/4" (451 mm)D	Polymer Trays	10	30 lbs.	\$15.10 ea.	N/A

**NOTES:**

All Trays Heights are 2 3/8" (61 mm)  
 \* Product available in three colors: (W) White, (A) Almond & (S) Glossy Metallic Silver.  
 Add "G" to beginning of part number to designate Glossy White finish. **Silver trays come standard Glossy!**  
 Trays can be ordered trimmed to your specifications for an additional charge.  
 Ships with a clear protective coating. Peel off before use.

Order online at [www.OVISONline.com/ras](http://www.OVISONline.com/ras)  
 Please Note: Some items shown may not be in stock, but can be special ordered

**OVIS**  
 A Division of WIM Corp. [www.OVISONline.com](http://www.OVISONline.com)  
 ©230 Jack Burlingame Dr.  
 Millwood, WV 25262  
 800-326-6847 Phone  
 800-755-0856 Fax

