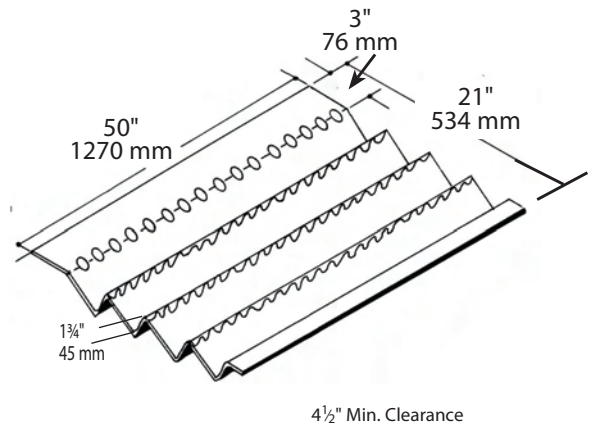


# ST50 SERIES

# UNIVERSAL SPICE TRAYS

Keep spices conveniently stored in a drawer by the stove with Rev-A-Shelf's Universal Spice Trays. With a tiered configuration for total organization and easy access, the Universal Spice Tray is available in a 50" x 20" size that can be trimmed for a perfect fit in any drawer. The ST50 Series is offered in glossy or textured finish and white or almond colors.



Trays are 50" x 21" trimmable to any size.

DRAWER ACCESSORIES  
Rev-A-Shelf Accessible Storage

PRODUCT #s	DESCRIPTION	PRODUCT DIMENSIONS	MIN. TRIM	FINISH	SET PER CARTON	WEIGHT PER CARTON	SUGGESTED LIST PRICE
<b>Polymer Spice Tray</b>							<b>Individual Pack</b>
ST50-21*-52	Spice Tray	50" (1270 mm)W x 21" (534 mm)D	Any Size	Polymer Trays	1	8 lbs.	\$57.40
<b>Polymer Spice Tray</b>							<b>Bulk Pack</b>
ST50-21*-12	Spice Tray	50" (1270 mm)W x 21" (534 mm)D	Any Size	Polymer Trays	12	96 lbs.	\$51.20

**NOTES:**  
 Universal Spice Trays are best utilized with 22" full-extension slides for maximum accessibility. Shown with 5" Spice Bottles, Trays can be ordered trimmed to your specifications for a minimum additional charge.  
 \*Product available in two colors: (W) White, (A) Almond

# ST2 SERIES

# INDIVIDUAL SPICE DRAWER INSERT



A smaller version of the ST50, this Individual Spice Drawer Insert is available in a 16" x 21 1/4" size that can also be trimmed to fit. The ST2 Series holds spices securely in place and is available in a glossy white finish.

PRODUCT #s	DESCRIPTION	PRODUCT DIMENSIONS	MIN. TRIM SIZE	FINISH	SET PER CARTON	WEIGHT PER CARTON	SUGGESTED LIST PRICE
<b>Polymer Spice Tray</b>							<b>Individual Pack</b>
ST-2GW-52	Spice Tray Insert	16" (407 mm)W x 21 1/4" (540 mm)D x 2 3/8" (61 mm)H	1 1/8" (289 mm)W x 1 5/2" (394 mm)D	Glossy White	1	2 lbs.	\$20.45

**NOTES:**  
 \*Product available in (W) White. Shown with 3" Spice Bottles. Can be trimmed to fit.

Order online at [www.OVISONline.com/ras](http://www.OVISONline.com/ras)  
 Please Note: Some items shown may not be in stock, but can be special ordered

**OVIS**  
 A Division of WIM Corp. [www.OVISONline.com](http://www.OVISONline.com)  
 ©230 Jack Burlingame Dr.  
 Millwood, WV 25262  
 800-326-6847 Phone  
 800-755-0856 Fax

