

Add a touch of natural beauty to any room with Rev-A-Shelf's versatile woven basket series: Perfect for storing produce in the kitchen. Select 4WV baskets include two side mount rails, allowing you to transform your cabinets into enviable storage spaces.



SINK & BASE
ACCESSORIES
WOOD

Mountable Woven Baskets

- Feature machine washable canvas liners
- Baskets secured within a natural maple frame, complete with built-in handles
- Easy four screw installation for side mount rails
- Offered in Standard and Euro sizes



Product Part	Width Before Rails are Cut	Min. after Rails are Cut	Depth	Height
4WV-15I	14½" (362 mm)	12¼" (312 mm)	21¼" (540 mm)	7¾" (188 mm)
4WV-18I	17½" (445 mm)	15¼" (388 mm)	21¼" (540 mm)	7¾" (188 mm)
4WV-320I	361 mm (14¼")	346 mm (13½")	451 mm (17¾")	195 mm (7⅞")
4WV-420I	461 mm (18⅝")	446 mm (17½")	451 mm (17¾")	195 mm (7⅞")
4WV-520I	561 mm (22⅝")	546 mm (21½")	451 mm (17¾")	195 mm (7⅞")

PRODUCT #s	DESCRIPTION	PRODUCT DIMENSIONS	FINISH	SET PER CARTON	WEIGHT PER CARTON	SUGGESTED LIST PRICE
Woven Basket with Rails						Individual Pack
4WV-15I	Base 15 Woven Basket with Rails	See dimensions in the chart above.	Eucalyptus	1	6 lbs.	\$97.45
4WV-18I	Base 18 Woven Basket with Rails	See dimensions in the chart above.	Eucalyptus	1	7 lbs	\$103.40
Euro Rail Woven Baskets						Individual Pack
4WV-320I	320 mm Woven Basket with Rails	See dimensions in the chart above.	Eucalyptus	1	6 lbs.	\$95.25
4WV-420I	420 mm Woven Basket with Rails	See dimensions in the chart above.	Eucalyptus	1	6 lbs.	\$104.70
4WV-520I	520 mm Woven Basket with Rails	See dimensions in the chart above.	Eucalyptus	1	8 lbs.	\$114.85

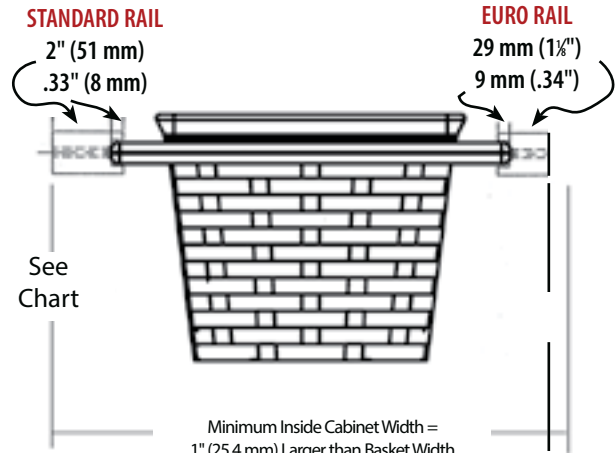
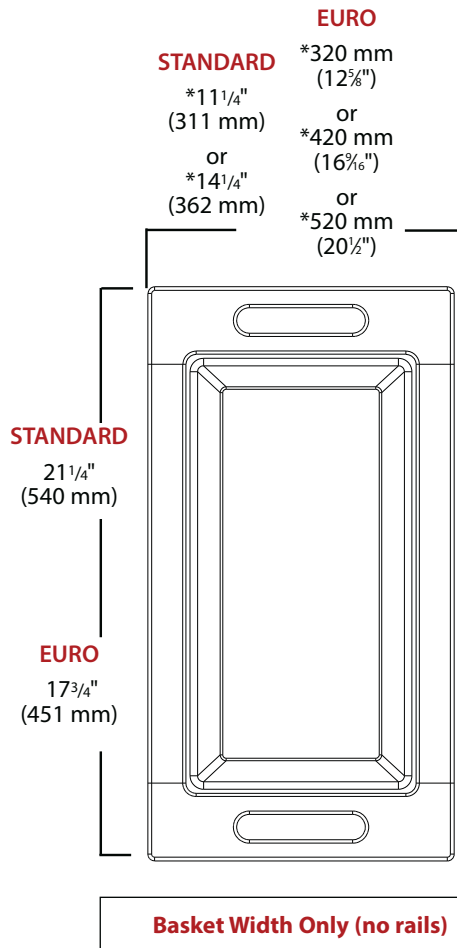
NOTE:

Euro Basket Rails sizes are 29 mm (1⅛")W x 451 mm (17¾")D x 32 mm (1⅛")H
Standard Basket Rails sizes are 2" (51 mm)W x 21¼"D (540 mm) x 1⅝"W (33 mm)H

CONTAINS:

(1) Woven Basket, (1) Canvas Liner and (2) side mount rails.

EURO SIZES



Minimum Inside Cabinet Width = 1" (25.4 mm) Larger than Basket Width

Maximum Inside Cabinet Width = 3.34" (85 mm) Larger than Basket Width

Euro Maximum Inside Cabinet Width = 1.57" (39.9 mm) Larger than Basket Width

***Width + 3/8" (9.5 mm) = Minimum Cabinet Opening**

SINK & BASE ACCESSORIES | WOOD

4WV SERIES

STATIC WOVEN BASKETS

In need of functional decorative bins? Look no further than Rev-A-Shelf's Static Woven Baskets, featuring stylish machine washable canvas liners.



PAGE 165
WALL CABINET STATIC BASKETS

PRODUCT #'s	DESCRIPTION	PRODUCT DIMENSIONS	FINISH	SET PER CARTON	WEIGHT PER CARTON	SUGGESTED LIST PRICE
Static Woven Baskets						
4WV-421-4	Static Woven Basket	4" (102 mm)W x 21" (531 mm)D x 4 ¹ / ₄ " (108 mm)H	Eucalyptus	4	7 lbs.	\$42.05
4WV-1419-52	Static Woven Basket	14 ¹ / ₄ " (362 mm)W x 19" (483 mm)D x 11" (280 mm)H	Eucalyptus	1	6 lbs.	\$89.30
4WV-1723-52	Static Woven Basket	17 ¹ / ₄ " (439 mm)W x 22 ¹ / ₂ " (572 mm)D x 11" (280 mm)H	Eucalyptus	1	8 lbs.	\$126.60

NOTE: 4WV-421 Series Sold as a set of (4), Suggested List Price is per basket. These items are hand-woven baskets, allow 1/8" total variance.
CONTAINS: 4WV-421 Series (4) Woven Baskets and (4) Canvas Liners 4WV1419/4WV1729 Series (1) Woven Basket and (1) Canvas Liner