

FR 5400 BRACKET



Brackets for Heavy-Duty Full-Extension
Ball Bearing Drawer Slides FR 5400 and FR 5400 L

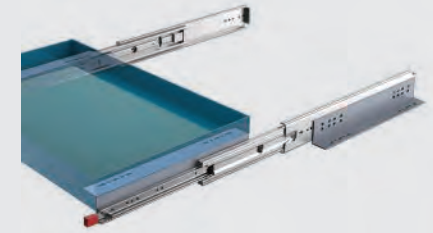


Specifications

- Side Mount
- 250 kg / 550 lbs.
- zinc plated

Additional Info

- M6 Hex Recess Driver Roundhead and M6 Nylon Ring Nut



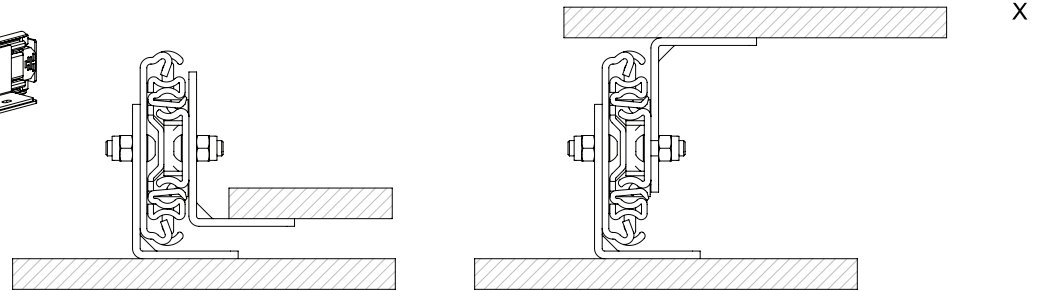
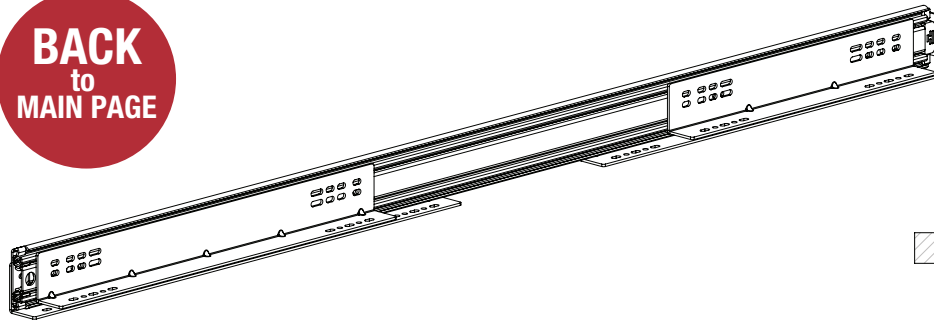
Click on any slide length to navigate to the CAD drawing page for that length.



Slide Model	Slide Length (inch)	Slide Length (mm)	Bracket Length and Part Number			
			305mm 5527	406mm 5528	559mm 5529	711mm 5530
5400/ 5400L	12	304.8	2 sets			
5400/ 5400L	14	355.6	2 sets			
5400/ 5400L	16	406.2		2 sets		
5400/ 5400L	18	457.2		2 sets		
5400/ 5400L	20	508.0		2 sets		
5400/ 5400L	22	558.8			2 sets	
5400/ 5400L	24	609.6			2 sets	
5400/ 5400L	26	660.4			2 sets	
5400/ 5400L	28	711.2				2 sets
5400/ 5400L	30	762.0				2 sets
5400/ 5400L	32	812.8				2 sets
5400/ 5400L	34	863.6	4 sets			
5400/ 5400L	36	914.4	4 sets			
5400/ 5400L	38	965.2	2 sets		2 sets	
5400/ 5400L	40	1016.0	2 sets		2 sets	
5400/ 5400L	42	1066.8	2 sets		1 set	1 set
5400/ 5400L	44	1117.6	2 sets		2 sets	
5400/ 5400L	46	1168.4	2 sets		1 set	1 set
5400/ 5400L	48	1219.2	2 sets			2 sets
5400/ 5400L	50	1270.0	3 sets			1 set
5400/ 5400L	52	1320.8	2 sets	1 set		1 set
5400/ 5400L	54	1371.6		1 set	3 sets	
5400/ 5400L	56	1422.4	1 set		3 sets	
5400/ 5400L	58	1473.2			3 sets	1 set
5400/ 5400L	60	1524.0		1 set	2 sets	1 set

5400.XXX-04.T018

**BACK
to
MAIN PAGE**



SCALE 3:4



ITEM NO.	PartNo	DESCRIPTION	NL 12/QTY.	NL 14/QTY.	NL 16/QTY.	NL 18/QTY.	NL 20/QTY.	NL 22/QTY.	NL 24/QTY.	NL 26/QTY.	NL 28/QTY.	NL 30/QTY.	NL 32/QTY.	NL 34/QTY.	NL 36/QTY.	NL 38/QTY.	NL 40/QTY.	NL 42/QTY.	NL 44/QTY.	NL 46/QTY.	NL 48/QTY.	NL 50/QTY.	NL 52/QTY.	NL 54/QTY.	NL 56/QTY.	NL 58/QTY.	NL 60/QTY.
1	5527	305mm LONG BRACKET	2	2	-	-	-	-	-	-	-	-	-	4	-	2	2	2	2	2	2	3	2	-	1	-	-
2	5529	559mm LONG BRACKET	-	-	-	-	-	2	2	2	-	-	-	-	-	2	2	1	2	1	-	-	-	3	3	3	2
3	5528	406mm LONG BRACKET	-	-	2	2	2	-	-	-	-	-	-	-	-	-	-	-	-	-	-	-	1	1	-	-	1
4	5530	711mm LONG BRACKET	-	-	-	-	-	-	-	-	-	2	2	2	-	-	-	-	1	-	1	2	1	1	-	-	1

**NOTES: LEFT HAND SLIDE SHOWN
BRACKET QUANTITY REQUIRED IS PER SET
EACH SET HAS TWO BRACKETS, (4) SCREWS AND (4) NUTS**

**INCLUDED HARDWARE PER SET:
(4) M6 x 16 BUTTON HEAD SCREW
(4) M6 HEX LOCK NUT**

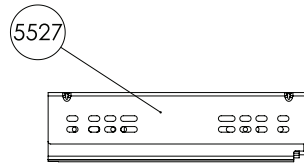
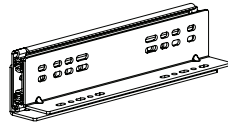
RECOMMENDED HARDWARE:
BRACKET TO CABINET- M6 OR 1/4 BUTTON HEAD SCREWS
BRACKET TO DRAWER- M6 OR 1/4 BUTTON HEAD SCREWS

general tolerances				DIN ISO 128-30 missing dimensions see 3D = theor. intersection	
ISO 2768-m				material, semi finished parts: A2	
This drawing remains our property and may not be multiplied neither be disclosed to third parties (§§1.3 and 5 from the copyright Act (UrHG)) covered according to DIN ISO 16016				description: FR 5400 AND FR 5400L BRACKETS	
(b)	scale:	1:4	surface:	X (technical requirements Fulterer)	
(c)	date:		name:		
(d)	drawn:	11-09-2019	HB		
(e)	proven:	00-00-0000	00		
(f)	Fulterer			drawing number: 5400.XXX-04.T018	
(g)	Fulterer AG & Co KG A-6890 Lustenau / Austria			replaces version date:	
(h)	Fulterer AG CH-9430 St. Margrethen				
(i)	ind. changes	date	na.		

5400.12-04.T018

X

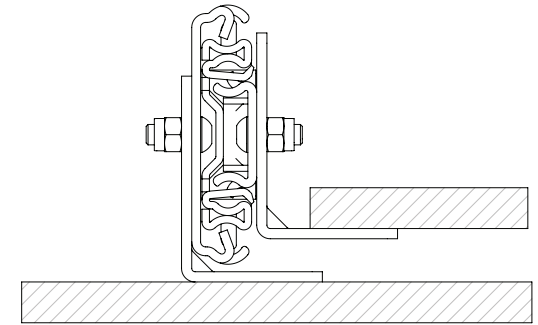
**BACK
to
MAIN PAGE**



**FRONT OF
SLIDE**



5527



SCALE 1:1

ITEM NO.	PartNo	DESCRIPTION	NL 12/QTY.
1	5527	305mm LONG BRACKET	2

**NOTES: LEFT HAND SLIDE SHOWN
BRACKET QUANTITY REQUIRED IS PER SET
EACH SET HAS TWO BRACKETS, (4) SCREWS AND (4) NUTS**

RECOMMENDED HARDWARE:
BRACKET TO CABINET- M6 OR 1/4 BUTTON HEAD SCREWS

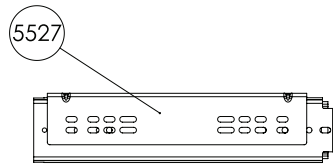
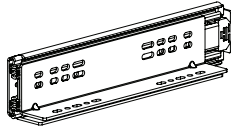
BRACKET TO DRAWER- M6 OR 1/4 BUTTON HEAD SCREWS

INCLUDED HARDWARE PER SET:
(4) M6 x 16 BUTTON HEAD SCREW
(4) M6 HEX LOCK NUT

general tolerances				DIN ISO 128-30 missing dimensions see 3D = theor. intersection	
ISO 2768-m		scale: 1:4		surface: x	
This drawing remains our property and may not be multiplied neither be disclosed to third parties (§§1.3 and 5 from the copyright Act (UrHfG))					
covered according to DIN ISO 16016			date: 10-09-2019		material, semi finished parts: A2
(K)			drawn	name	description: BRACKET LAYOUT FR 5400 AND FR 5400L SLIDES
(C)			proven	HB	
(D)			00-00-0000	00	
(E)					
			Fullterer		drawing number: 5400.12-04.T018
			Fullterer AG & Co KG A-6500 Ludersdorf / Austria		
			Fullterer AG CH-9430 St. Margrethen		
(A) 0	00-00-0000	0	replaces version date:		
ind.	changes	date	na.		

5400.14-04.T018

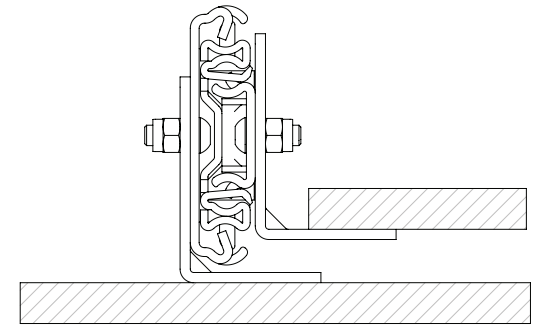
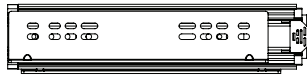
**BACK
to
MAIN PAGE**



**FRONT OF
SLIDE**



5527



SCALE 1:1

X

ITEM NO.	PartNo	DESCRIPTION	NL 14/QTY.
1	5527	305mm LONG BRACKET	2

**NOTES: LEFT HAND SLIDE SHOWN
BRACKET QUANTITY REQUIRED IS PER SET
EACH SET HAS TWO BRACKETS, (4) SCREWS AND (4) NUTS**

RECOMMENDED HARDWARE:
BRACKET TO CABINET- M6 OR 1/4 BUTTON HEAD SCREWS
BRACKET TO DRAWER- M6 OR 1/4 BUTTON HEAD SCREWS

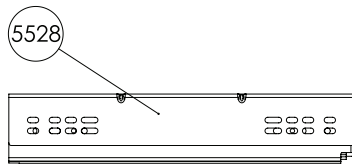
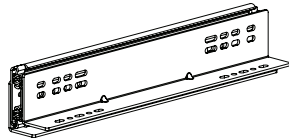
INCLUDED HARDWARE PER SET:
(4) M6 x 16 BUTTON HEAD SCREW
(4) M6 HEX LOCK NUT

general tolerances				DIN ISO 128-30 missing dimensions see 3D = theor. intersection	
ISO 2768-m				A2	
This drawing remains our property and may not be multiplied neither be disclosed to third parties (§§1.3 and 5 from the copyright Act (UrhG))					
covered according to DIN ISO 16016		scale: 1:4	surface: X	material, semi finished parts:	
(K)		date	name	(technical requirements Fulterer)	
(I)		drawn 10-09-2019	HB	description: BRACKET LAYOUT FR 5400 AND FR 5400L SLIDES	
(P)		proven 00-00-0000	00		
(C)		Fulterer		drawing number: 5400.14-04.T018	
(A)				replaces version date:	
(I)		Fulterer AG & Co KG A-6850 Lustenau / Austria		drawing number: 5400.14-04.T018	
(A)		Fulterer AG CH-9430 St. Margrethen		replaces version date:	
ind.	changes	date	na.		

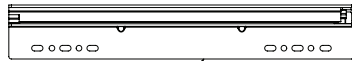
5400.16-04.T018

X

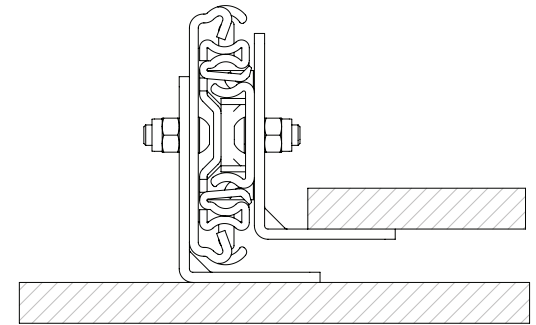
**BACK
to
MAIN PAGE**



**FRONT OF
SLIDE**



5528



SCALE 1:1

ITEM NO.	PartNo	DESCRIPTION	NL 16/QTY.
1	5528	406mm LONG BRACKET	2

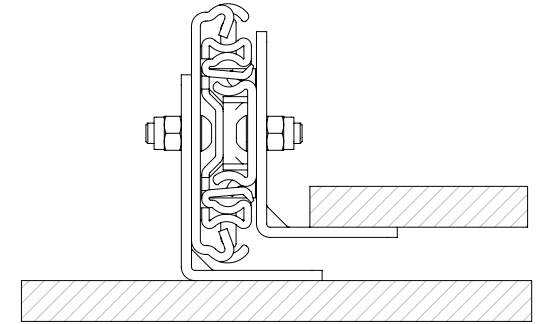
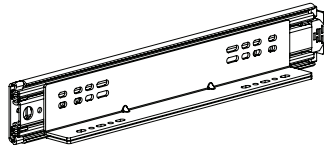
**NOTES: LEFT HAND SLIDE SHOWN
BRACKET QUANTITY REQUIRED IS PER SET
EACH SET HAS TWO BRACKETS, (4) SCREWS AND (4) NUTS**

RECOMMENDED HARDWARE:
BRACKET TO CABINET- M6 OR 1/4 BUTTON HEAD SCREWS
BRACKET TO DRAWER- M6 OR 1/4 BUTTON HEAD SCREWS

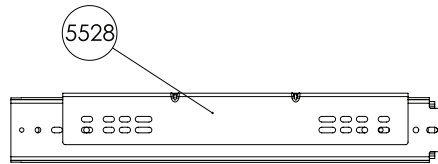
INCLUDED HARDWARE PER SET:
(4) M6 x 16 BUTTON HEAD SCREW
(4) M6 HEX LOCK NUT

general tolerances				DIN ISO 128-30 missing dimensions see 3D = theor. intersection	
ISO 2768-m					
This drawing remains our property and may not be multiplied neither be disclosed to third parties (§§1.3 and 5 from the copyright Act (UrhG))				covered according to DIN ISO 16016	
(K)		scale:	1:4	surface:	x
(L)		date:		name:	(technical requirements Fullterer)
(M)		drawn:	10-09-2019	HB	description: BRACKET LAYOUT FR 5400 AND FR 5400L SLIDES
(N)		proven:	00-00-0000	00	
(O)		Fullterer		drawing number: 5400.16-04.T018	
(P)				replaces version date:	
(Q)		Fullterer AG & Co KG A-6890 Lustenau / Austria		drawing number: 5400.16-04.T018	
(R)		Fullterer AG CH-9430 St. Margrethen		replaces version date:	
(S)	0	00-00-0000	0		
ind.	changes	date	na.		

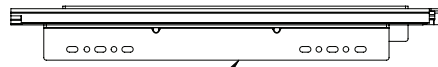
**BACK
to
MAIN PAGE**



SCALE 1:1



**FRONT OF
SLIDE**



5528



ITEM NO.	PartNo	DESCRIPTION	NL 20/QTY.
1	5528	406mm LONG BRACKET	2

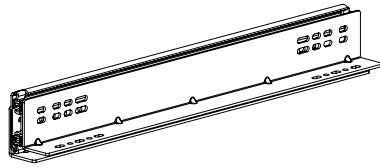
**NOTES: LEFT HAND SLIDE SHOWN
BRACKET QUANTITY REQUIRED IS PER SET
EACH SET HAS TWO BRACKETS, (4) SCREWS AND (4) NUTS**

RECOMMENDED HARDWARE:
BRACKET TO CABINET- M6 OR 1/4 BUTTON HEAD SCREWS
BRACKET TO DRAWER- M6 OR 1/4 BUTTON HEAD SCREWS

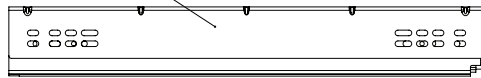
INCLUDED HARDWARE PER SET:
(4) M6 x 16 BUTTON HEAD SCREW
(4) M6 HEX LOCK NUT

general tolerances				DIN ISO 128-30 missing dimensions see 3D = theor. intersection	
ISO 2768-m		scale:	1:4	surface:	x
This drawing remains our property and may not be multiplied neither be disclosed to third parties (§§1.3 and 5 from the copyright Act (UrHG))					
covered according to DIN ISO 16016		date:	10-09-2019	name:	HB
(M)		drawn:	10-09-2019	HB	description: BRACKET LAYOUT FR 5400 AND FR 5400L SLIDES
(P)		proven:	00-00-0000	00	
(C)		Fullterer		drawing number: 5400.20-04.T018	
(D)				replaces version date:	
(E)		Fullterer AG & Co KG A-6890 Lustenau / Austria			
(F)		Fullterer AG CH-9430 St. Margrethen			
(G)	0	00-00-0000	0		
ind.	changes	date	na.		

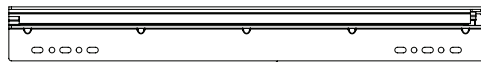
**BACK
to
MAIN PAGE**



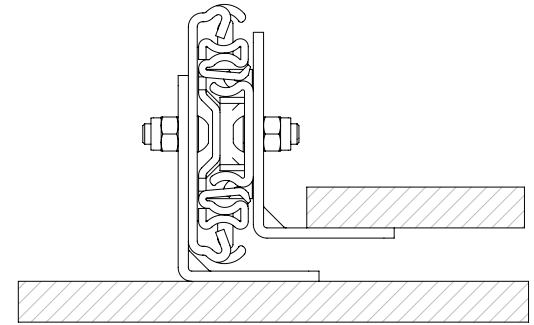
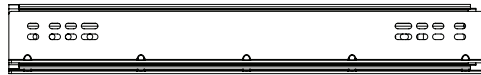
5529



**FRONT OF
SLIDE**



5529



SCALE 1:1

**NOTES: LEFT HAND SLIDE SHOWN
BRACKET QUANTITY REQUIRED IS PER SET
EACH SET HAS TWO BRACKETS, (4) SCREWS AND (4) NUTS**

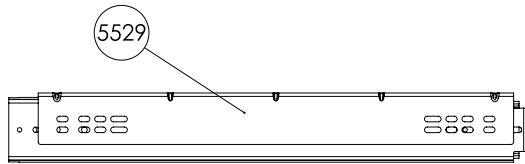
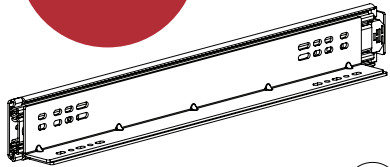
RECOMMENDED HARDWARE:
BRACKET TO CABINET- M6 OR 1/4 BUTTON HEAD SCREWS
BRACKET TO DRAWER- M6 OR 1/4 BUTTON HEAD SCREWS

INCLUDED HARDWARE PER SET:
(4) M6 x 16 BUTTON HEAD SCREW
(4) M6 HEX LOCK NUT

ITEM NO.	PartNo	DESCRIPTION	NL 22/QTY.
1	5529	559mm LONG BRACKET	2

general tolerances				DIN ISO 128-30 missing dimensions see 3D = theor. intersection	
ISO 2768-m		scale: 1:4		surface: x	
This drawing remains our property and may not be multiplied neither be disclosed to third parties (§§1.3 and 5 from the copyright Act (UrhG))				material, semi finished parts: A2	
covered according to DIN ISO 16016				(technical requirements Fullterer)	
(K)		drawn	10-09-2019	HB	description: BRACKET LAYOUT FR 5400 AND FR 5400L SLIDES
(C)		proven	00-00-0000	00	
(E)		Fullterer		drawing number: 5400.22-04.T018	
(D)				replaces version date:	
(A)	0	00-00-0000	0	Fullterer AG & Co KG A-8890 Lustenau / Austria Fullterer AG CH-9430 St. Margrethen	
ind.	changes	date	na.		

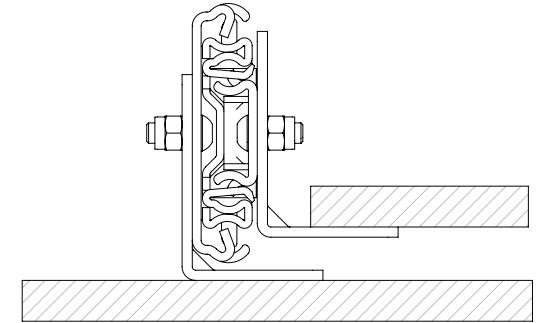
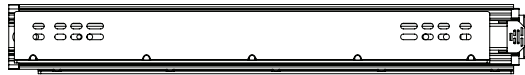
BACK
to
MAIN PAGE



FRONT OF SLIDE



5529



SCALE 1:1

**NOTES: LEFT HAND SLIDE SHOWN
BRACKET QUANTITY REQUIRED IS PER SET
EACH SET HAS TWO BRACKETS, (4) SCREWS AND (4) NUTS**

RECOMMENDED HARDWARE:
BRACKET TO CABINET- M6 OR 1/4 BUTTON HEAD SCREWS
BRACKET TO DRAWER- M6 OR 1/4 BUTTON HEAD SCREWS

INCLUDED HARDWARE PER SET:
(4) M6 x 16 BUTTON HEAD SCREW
(4) M6 HEX LOCK NUT

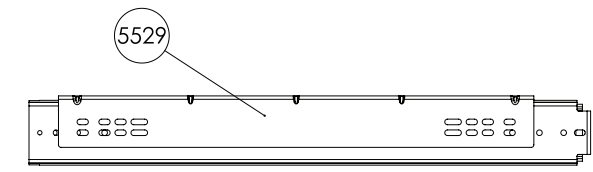
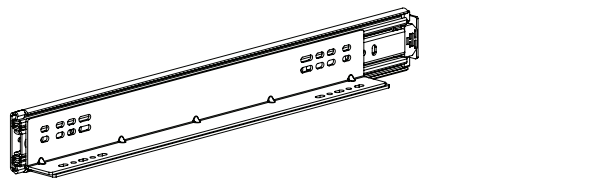
ITEM NO.	PartNo	DESCRIPTION	NL 24/QTY.
1	5529	559mm LONG BRACKET	2

general tolerances				DIN ISO 128-30 missing dimensions see 3D = theor. intersection	
ISO 2768-m		scale:	1:4	surface:	x
This drawing remains our property and may not be multiplied neither be disclosed to third parties (§§1.3 and 5 from the copyright Act (UrhG))					
covered according to DIN ISO 16016		date:		name:	
(x)		drawn:	10-09-2019	HB	
(l)		proven:	00-00-0000	00	
(b)		Fulterer			
(c)					
(d)					
(e)					
(f)		Fulterer AG & Co KG A-6850 Lustenau / Austria		drawing number: 5400.24-04.T018	
(g)		Fulterer AG CH-9430 St. Margrethen		replaces version date:	
(h)		ind. changes	date	na.	

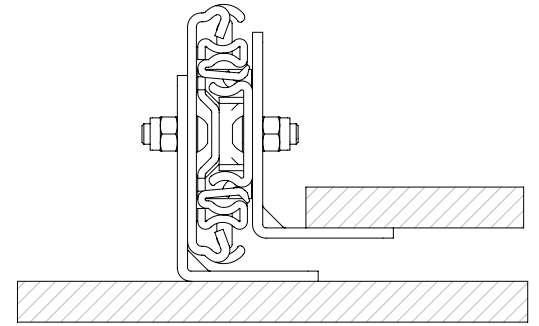
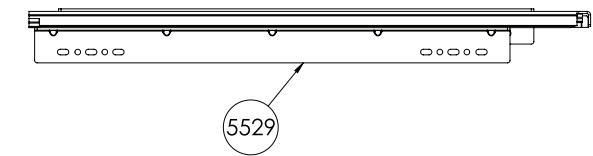
5400.26-04.T018

X

**BACK
to
MAIN PAGE**



**FRONT OF
SLIDE**



SCALE 1:1

**NOTES: LEFT HAND SLIDE SHOWN
BRACKET QUANTITY REQUIRED IS PER SET
EACH SET HAS TWO BRACKETS, (4) SCREWS AND (4) NUTS**

RECOMMENDED HARDWARE:
BRACKET TO CABINET- M6 OR 1/4 BUTTON HEAD SCREWS
BRACKET TO DRAWER- M6 OR 1/4 BUTTON HEAD SCREWS

INCLUDED HARDWARE PER SET:
(4) M6 x 16 BUTTON HEAD SCREW
(4) M6 HEX LOCK NUT

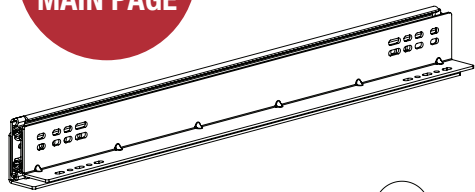
ITEM NO.	PartNo	DESCRIPTION	NL 26/QTY.
1	5529	559mm LONG BRACKET	2

general tolerances		DIN ISO 128-30 missing dimensions see 3D = theor. intersection	
ISO 2768-m			
This drawing remains our property and may not be multiplied neither be disclosed to third parties (§§1.3 and 5 from the copyright Act (UrHG))			
covered according to DIN ISO 16016		scale: 1:4	surface: x
		date	name
		drawn 10-09-2019	HB
		proven 00-00-0000	00
		description: BRACKET LAYOUT FR 5400 AND FR 5400L SLIDES	
		Fullterer	
		drawing number: 5400.26-04.T018	
		replaces version date:	
changes	date	na.	

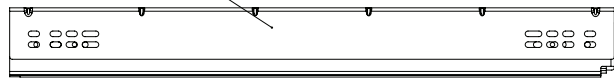
5400.28-04.T018

X

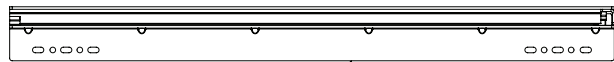
**BACK
to
MAIN PAGE**



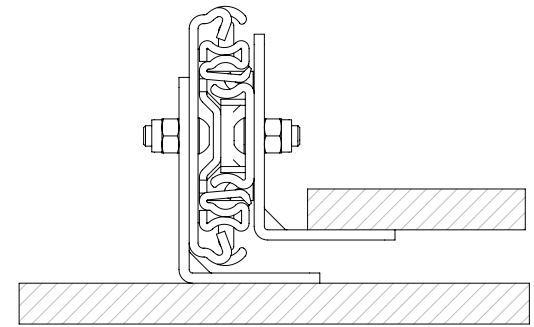
5530



**FRONT OF
SLIDE**



5530



SCALE 1:1

ITEM NO.	PartNo	DESCRIPTION	NL 28/QTY.
1	5530	711mm LONG BRACKET	2

**NOTES: LEFT HAND SLIDE SHOWN
BRACKET QUANTITY REQUIRED IS PER SET
EACH SET HAS TWO BRACKETS, (4) SCREWS AND (4) NUTS**

RECOMMENDED HARDWARE:
BRACKET TO CABINET- M6 OR 1/4 BUTTON HEAD SCREWS
BRACKET TO DRAWER- M6 OR 1/4 BUTTON HEAD SCREWS

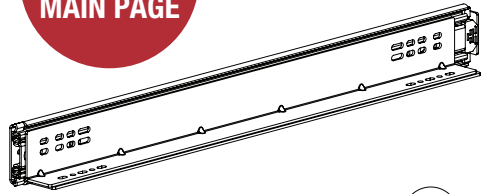
INCLUDED HARDWARE PER SET:
(4) M6 x 16 BUTTON HEAD SCREW
(4) M6 HEX LOCK NUT

general tolerances				DIN ISO 128-30 missing dimensions see 3D = theor. intersection	
ISO 2768-m					
This drawing remains our property and may not be multiplied neither be disclosed to third parties (§§1.3 and 5 from the copyright Act (UrH/G))				material, semi finished parts: A2	
covered according to DIN ISO 16016				scale: 1:4	surface: x (technical requirements Fulterer)
(K)			date	name	
(h)			drawn 10-09-2019	HB	
(P)			proven 00-00-0000	00	
(F)			Fulterer		
(C)			description: BRACKET LAYOUT FR 5400 AND FR 5400L SLIDES		
(D)			drawing number: 5400.28-04.T018		
(E)	0	00-00-0000	0	Fullterer AG A-6890 Lustenau / Austria Fullterer AG CH-9430 St. Margrethen	
ind.	changes	date	nb.	replaces version date:	

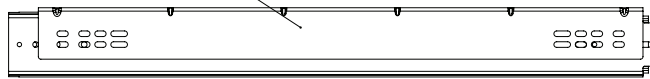
5400.30-04.T018

X

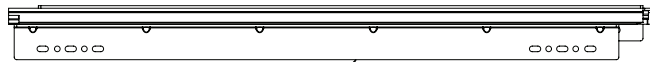
BACK
to
MAIN PAGE



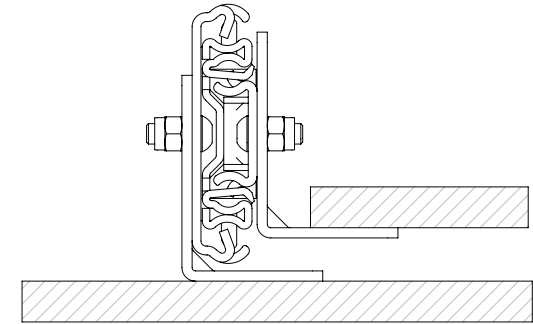
5530



**FRONT OF
SLIDE**



5530



SCALE 1:1

ITEM NO.	PartNo	DESCRIPTION	NL 30/QTY.
1	5530	711mm LONG BRACKET	2

**NOTES: LEFT HAND SLIDE SHOWN
BRACKET QUANTITY REQUIRED IS PER SET
EACH SET HAS TWO BRACKETS, (4) SCREWS AND (4) NUTS**

RECOMMENDED HARDWARE:
BRACKET TO CABINET- M6 OR 1/4 BUTTON HEAD SCREWS
BRACKET TO DRAWER- M6 OR 1/4 BUTTON HEAD SCREWS

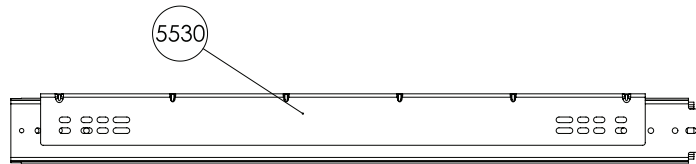
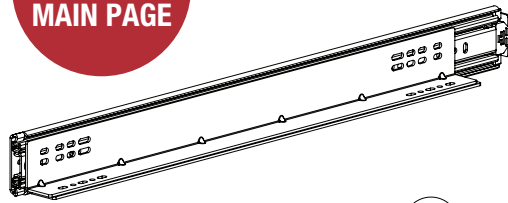
INCLUDED HARDWARE PER SET:
(4) M6 x 16 BUTTON HEAD SCREW
(4) M6 HEX LOCK NUT

general tolerances				DIN ISO 128-30 missing dimensions see 3D = theor. intersection	
ISO 2768-m					
This drawing remains our property and may not be multiplied neither be disclosed to third parties (§§1.3 and 5 from the copyright Act (UrHGG))					
covered according to DIN ISO 16016		scale:	surface:	material, semi finished parts:	
		1:4		X	
		date:	name:	(technical requirements Filterer)	
		drawn: 10-09-2019	HB	description:	
		proven: 00-00-0000	00	BRACKET LAYOUT FR 5400 AND FR 5400L SLIDES	
Filterer				drawing number:	
Filterer AG & Co KG A-6890 Lustenau / Austria				5400.30-04.T018	
Filterer AG CH-8430 St. Margrethen				replaces version date:	
ind.	changes	date	na.		

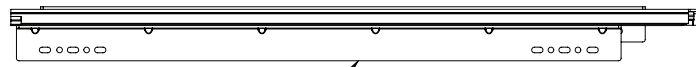
5400.32-04.T018

X

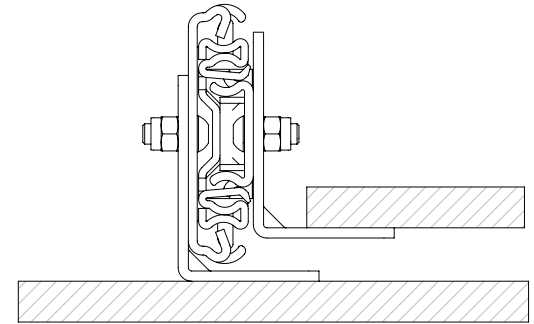
BACK
to
MAIN PAGE



FRONT OF SLIDE



5530



SCALE 1:1

ITEM NO.	PartNo	DESCRIPTION	NL 32/QTY.
1	5530	711mm LONG BRACKET	2

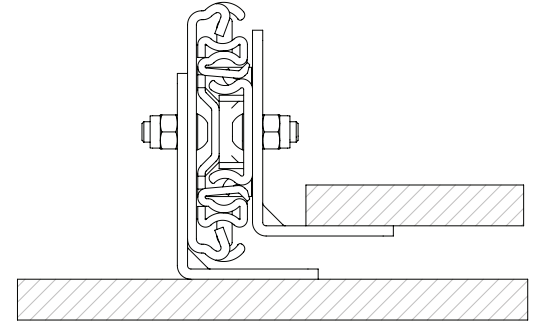
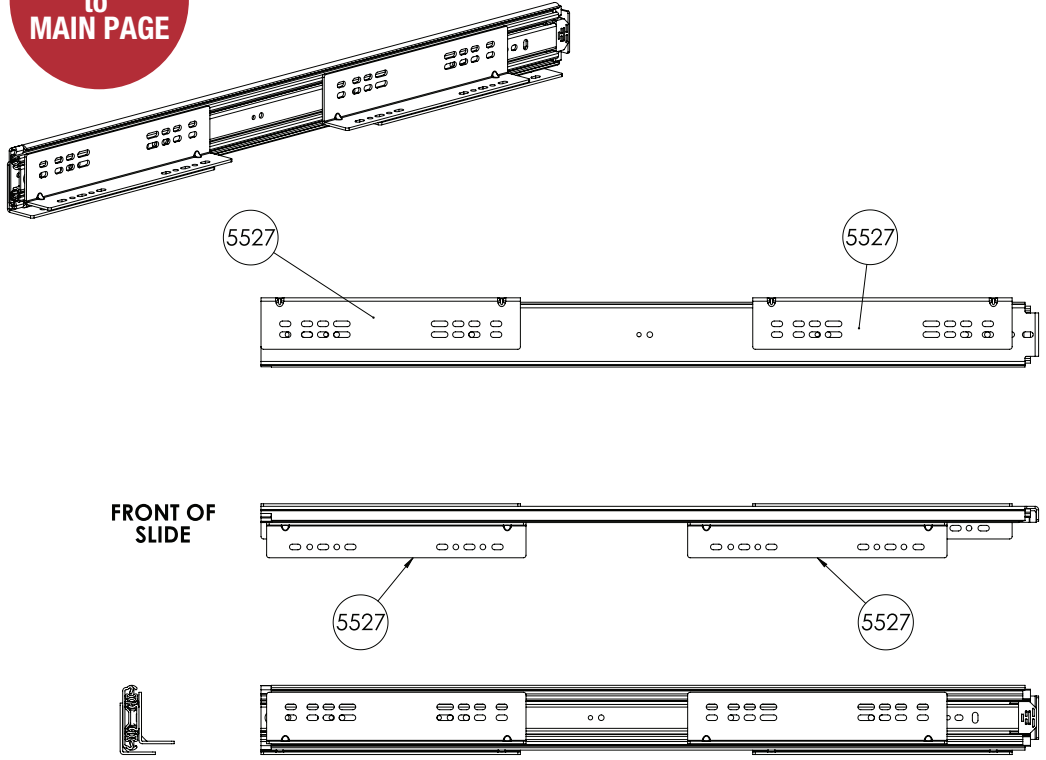
**NOTES: LEFT HAND SLIDE SHOWN
BRACKET QUANTITY REQUIRED IS PER SET
EACH SET HAS TWO BRACKETS, (4) SCREWS AND (4) NUTS**

RECOMMENDED HARDWARE:
BRACKET TO CABINET- M6 OR 1/4 BUTTON HEAD SCREWS
BRACKET TO DRAWER- M6 OR 1/4 BUTTON HEAD SCREWS

INCLUDED HARDWARE PER SET:
(4) M6 x 16 BUTTON HEAD SCREW
(4) M6 HEX LOCK NUT

general tolerances				DIN ISO 128-30 missing dimensions see 3D = theor. intersection	
ISO 2768-m		scale: 1:4	surface: x	material, semi finished parts: A2	
This drawing remains our property and may not be multiplied neither be disclosed to third parties (§§1.3 and 5 from the copyright Act (UrHfG))					
covered according to DIN ISO 16016					
(K)		date	name		
(C)		drawn 10-09-2019	HB	description: BRACKET LAYOUT FR 5400 AND FR 5400L SLIDES	
(P)		proven 00-00-0000	00		
(E)		Fullterer			
(D)		Fullterer AG & Co KG A-8890 Lustenau / Austria		drawing number: 5400.32-04.T018	
(B)		Fullterer AG CH-9430 St. Margrethen		replaces version date:	
(A)	0	00-00-0000	0		
ind.	changes	date	na.		

**BACK
to
MAIN PAGE**



SCALE 1:1

**FRONT OF
SLIDE**

**NOTES: LEFT HAND SLIDE SHOWN
BRACKET QUANTITY REQUIRED IS PER SET
EACH SET HAS TWO BRACKETS, (4) SCREWS AND (4) NUTS**

RECOMMENDED HARDWARE:
BRACKET TO CABINET- M6 OR 1/4 BUTTON HEAD SCREWS

BRACKET TO DRAWER- M6 OR 1/4 BUTTON HEAD SCREWS

INCLUDED HARDWARE PER SET:
(4) M6 x 16 BUTTON HEAD SCREW
(4) M6 HEX LOCK NUT

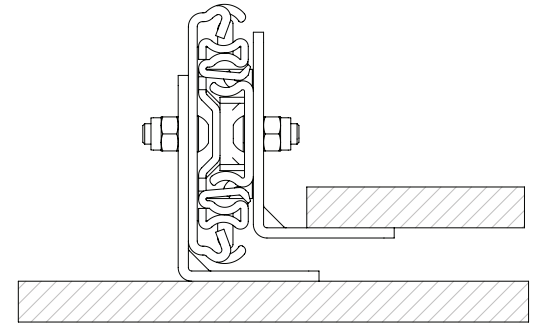
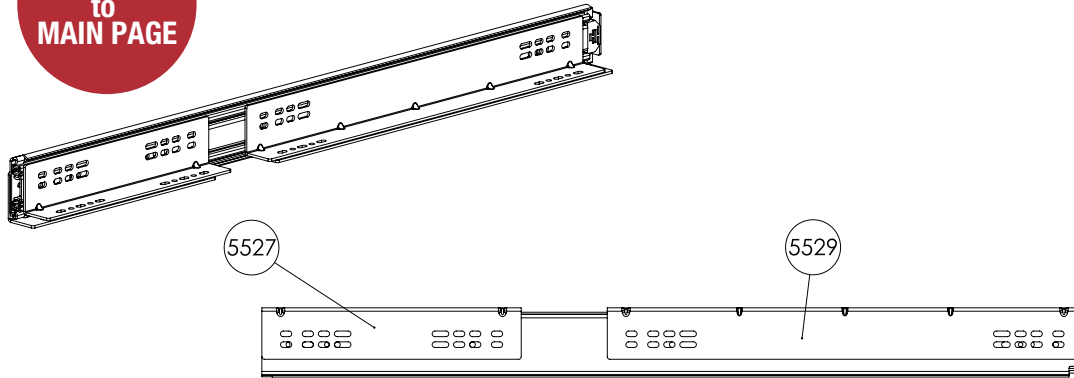
ITEM NO.	PartNo	DESCRIPTION	NL 36/QTY.
1	5527	305mm LONG BRACKET	4

general tolerances				DIN ISO 128-30 missing dimensions see 3D = theor. intersection	
ISO 2768-m		scale: 1:4	surface: X	material, semi finished parts: A2	
This drawing remains our property and may not be multiplied neither be disclosed to third parties (§§1,3 and 5 from the copyright Act (UrH.G)) covered according to DIN ISO 16016					
(C)		date	name		
(b)		drawn 10-09-2019	HB	description: BRACKET LAYOUT FR 5400 AND FR 5400L SLIDES	
(a)		proven 00-00-0000	00		
			Fullterer		
(a) 0	00-00-0000	0	Fullterer AG & Co KG A-8890 Lustenau / Austria		drawing number: 5400.36-04.T018
ind.	changes	date	na.	Fullterer AG CH-8430 St. Margrethen replaces version date:	

5400.38-04.T018

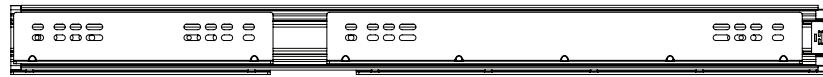
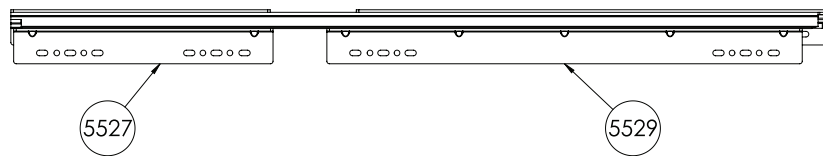
X

**BACK
to
MAIN PAGE**



SCALE 1:1

**FRONT OF
SLIDE**



ITEM NO.	PartNo	DESCRIPTION	NL 38/QTY.
1	5527	305mm LONG BRACKET	2
2	5529	559mm LONG BRACKET	2

**NOTES: LEFT HAND SLIDE SHOWN
BRACKET QUANTITY REQUIRED IS PER SET
EACH SET HAS TWO BRACKETS, (4) SCREWS AND (4) NUTS**

RECOMMENDED HARDWARE:
BRACKET TO CABINET- M6 OR 1/4 BUTON HEAD SCREWS
BRACKET TO DRAWER- M6 OR 1/4 BUTON HEAD SCREWS

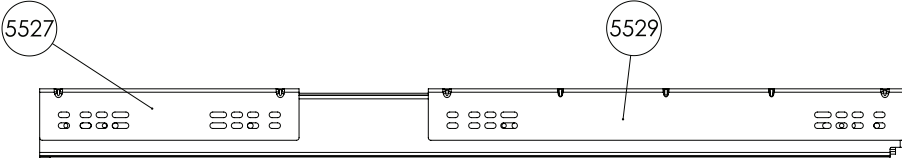
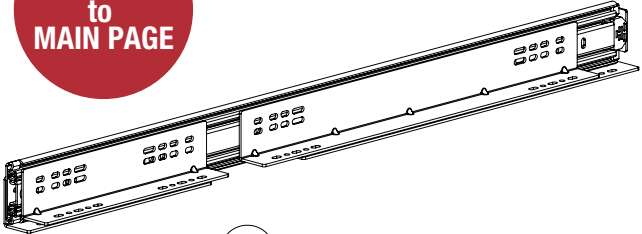
INCLUDED HARDWARE PER SET:
(4) M6 x 16 BUTON HEAD SCREW
(4) M6 HEX LOCK NUT

general tolerances				DIN ISO 128-30 missing dimensions see 3D = theor. intersection	
ISO 2768-m					
This drawing remains our property and may not be multiplied neither be disclosed to third parties (§§1.3 and 5 from the copyright Act (UrHfG))				covered according to DIN ISO 16016	
(K)		scale:	1:4	surface:	x
(C)		date:		name:	(technical requirements Fulterer)
(B)		drawn:	10-09-2019	HB	description: BRACKET LAYOUT FR 5400 AND FR 5400L SLIDES
(A)		proven:	00-00-0000	00	
(E)		Fulterer		drawing number: 5400.38-04.T018	
(D)		Fulterer AG & Co KG A-8890 Lustenau / Austria		replaces version date:	
(B)		Fulterer AG CH-9430 St. Margrethen			
(A)	0	00-00-0000	0		
ind.	changes	date	na.		

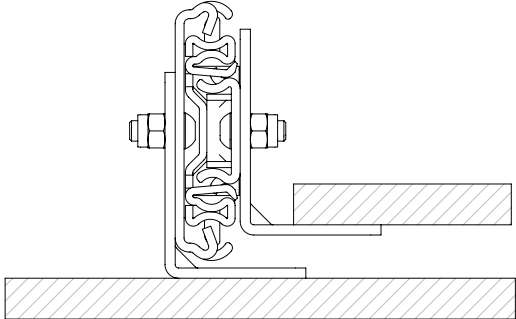
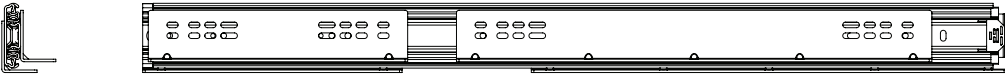
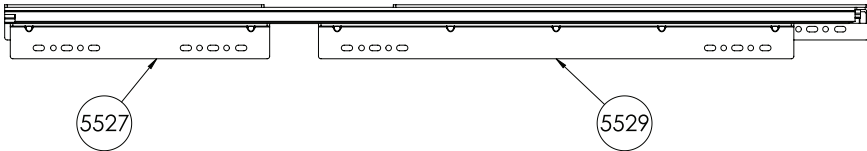
5400.40-04.T018

X

**BACK
to
MAIN PAGE**



**FRONT OF
SLIDE**



SCALE 1:1

ITEM NO.	PartNo	DESCRIPTION	NL 40/QTY.
1	5527	305mm LONG BRACKET	2
2	5529	559mm LONG BRACKET	2

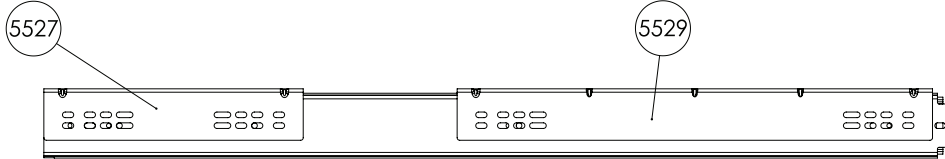
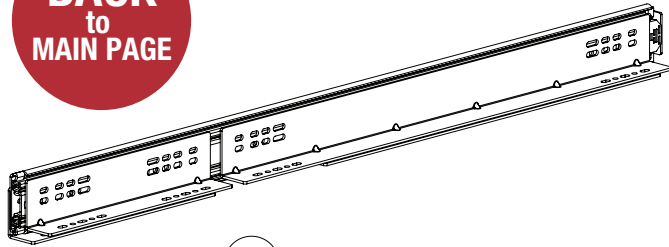
**NOTES: LEFT HAND SLIDE SHOWN
BRACKET QUANTITY REQUIRED IS PER SET
EACH SET HAS TWO BRACKETS, (4) SCREWS AND (4) NUTS**

RECOMMENDED HARDWARE:
BRACKET TO CABINET- M6 OR 1/4 BUTTON HEAD SCREWS
BRACKET TO DRAWER- M6 OR 1/4 BUTTON HEAD SCREWS

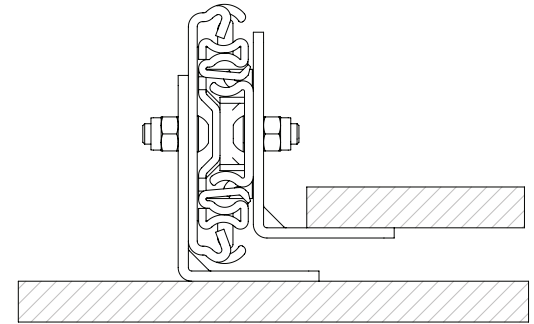
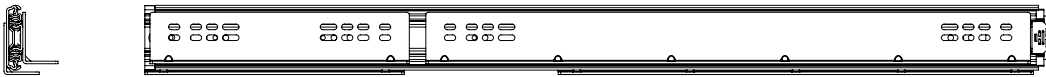
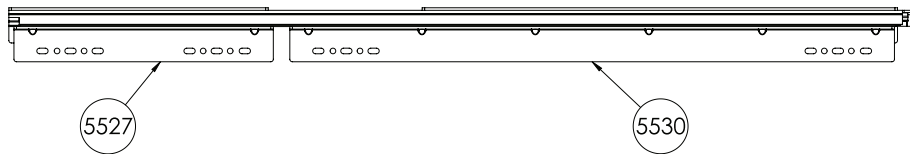
INCLUDED HARDWARE PER SET:
(4) M6 x 16 BUTTON HEAD SCREW
(4) M6 HEX LOCK NUT

general tolerances				DIN ISO 128-30 missing dimensions see 3D = theor. intersection	
ISO 2768-m		scale:	1:4	surface:	X
This drawing remains our property and may not be multiplied neither be disclosed to third parties (§§1,3 and 5 from the copyright Act (UrhG))					
covered according to DIN ISO 16016		date:	10-09-2019	name:	HB
⊕		drawn:	10-09-2019	proven:	00-00-0000 00
⊖					
Ⓜ					
Ⓝ					
Ⓟ					
Ⓡ		Fulterer AG & Co KG A-8890 Lustenau / Austria Fulterer AG CH-9430 St. Margrethen		drawing number: 5400.40-04.T018 replaces version date:	
Ⓢ		ind. changes	date	na.	

**BACK
to
MAIN PAGE**



FRONT OF SLIDE



SCALE 1:1

**NOTES: LEFT HAND SLIDE SHOWN
BRACKET QUANTITY REQUIRED IS PER SET
EACH SET HAS TWO BRACKETS, (4) SCREWS AND (4) NUTS**

RECOMMENDED HARDWARE:
BRACKET TO CABINET- M6 OR 1/4 BUTTON HEAD SCREWS
BRACKET TO DRAWER- M6 OR 1/4 BUTTON HEAD SCREWS

INCLUDED HARDWARE PER SET:
(4) M6 x 16 BUTTON HEAD SCREW
(4) M6 HEX LOCK NUT

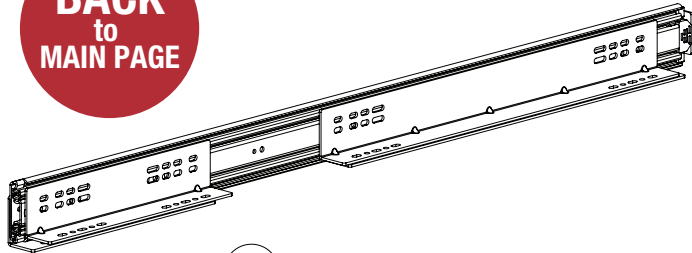
ITEM NO.	PartNo	DESCRIPTION	NL 42/QTY.
1	5527	305mm LONG BRACKET	2
2	5529	559mm LONG BRACKET	1
3	5530	711mm LONG BRACKET	1

general tolerances				DIN ISO 128-30 missing dimensions see 3D = theor. intersection	
ISO 2768-m					
This drawing remains our property and may not be multiplied neither be disclosed to third parties (§§1.3 and 5 from the copyright Act (UrHfG))				covered according to DIN ISO 16016	
(K)		scale:	1:4	surface:	x
(C)		date:		name:	(technical requirements Fulterer)
(b)		drawn:	10-09-2019	HB	description: BRACKET LAYOUT FR 5400 AND FR 5400L SLIDES
(P)		proven:	00-00-0000	00	
(C)		Fulterer		drawing number: 5400.42-04.T018	
(D)		Fulterer AG & Co KG A-6890 Lustenau / Austria		drawing number: 5400.42-04.T018	
(a)	0	00-00-0000	0	Fulterer AG CH-9430 St. Margrethen replaces version date:	
ind.	changes	date	na.		

5400.44-04.T018

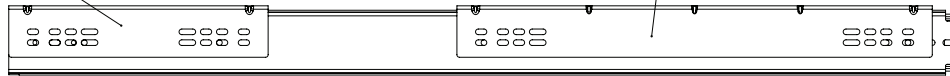
X

**BACK
to
MAIN PAGE**

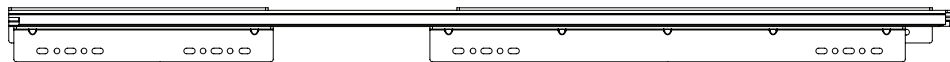


5527

5529

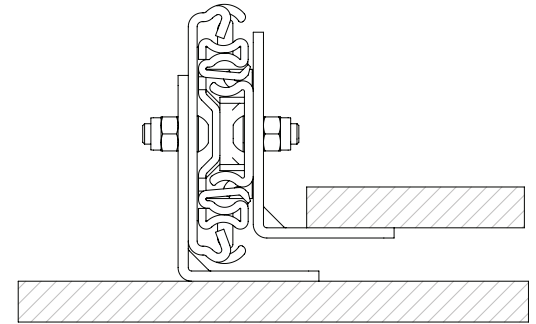
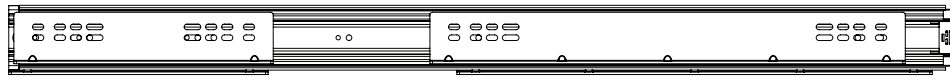


**FRONT OF
SLIDE**



5527

5529



SCALE 1:1

**NOTES: LEFT HAND SLIDE SHOWN
BRACKET QUANTITY REQUIRED IS PER SET
EACH SET HAS TWO BRACKETS, (4) SCREWS AND (4) NUTS**

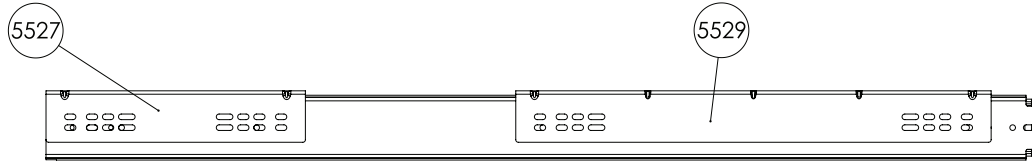
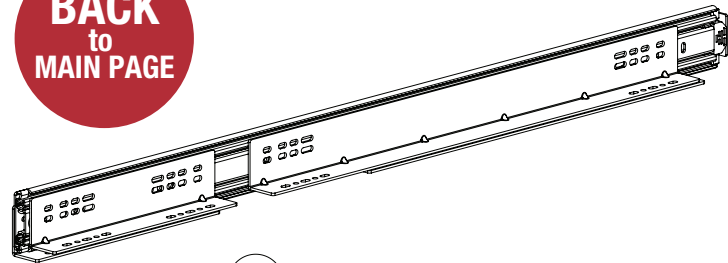
RECOMMENDED HARDWARE:
BRACKET TO CABINET- M6 OR 1/4 BUTTON HEAD SCREWS
BRACKET TO DRAWER- M6 OR 1/4 BUTTON HEAD SCREWS

INCLUDED HARDWARE PER SET:
(4) M6 x 16 BUTTON HEAD SCREW
(4) M6 HEX LOCK NUT

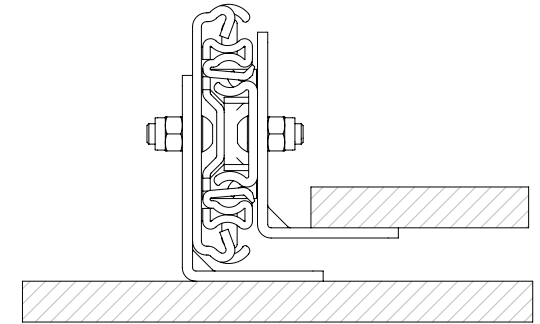
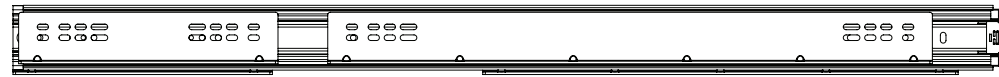
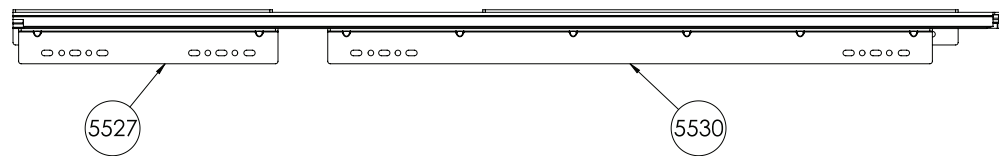
ITEM NO.	PartNo	DESCRIPTION	NL 44/QTY.
1	5527	305mm LONG BRACKET	2
2	5529	559mm LONG BRACKET	2

general tolerances				DIN ISO 128-30 missing dimensions see 3D = theor. intersection	
ISO 2768-m		scale: 1:4		surface: X	
This drawing remains our property and may not be multiplied neither be disclosed to third parties (§§1.3 and 5 from the copyright Act (UrhG))					
covered according to DIN ISO 16016				material, semi finished parts: A2	
(K)		date	name	description: BRACKET LAYOUT FR 5400 AND FR 5400L SLIDES	
(I)		drawn 10-09-2019	HB		
(H)		proven 00-00-0000	00		
(G)		Fullterer			
(F)					
(E)		Fullterer AG & Co KG A-6890 Lustenau / Austria		drawing number: 5400.44-04.T018	
(D)		Fullterer AG CH-8430 St. Margrethen		replaces version date:	
(C)					
(B)					
(A)	0	00-00-0000	0		
ind.	changes	date	na.		

**BACK
to
MAIN PAGE**



**FRONT OF
SLIDE**



SCALE 1:1

**NOTES: LEFT HAND SLIDE SHOWN
BRACKET QUANTITY REQUIRED IS PER SET
EACH SET HAS TWO BRACKETS, (4) SCREWS AND (4) NUTS**

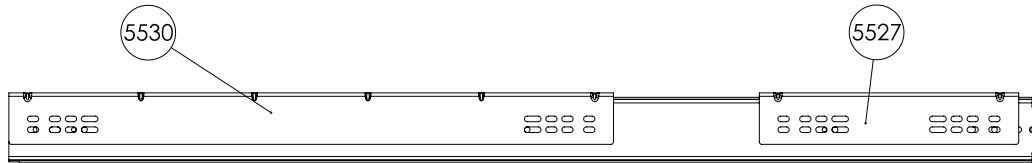
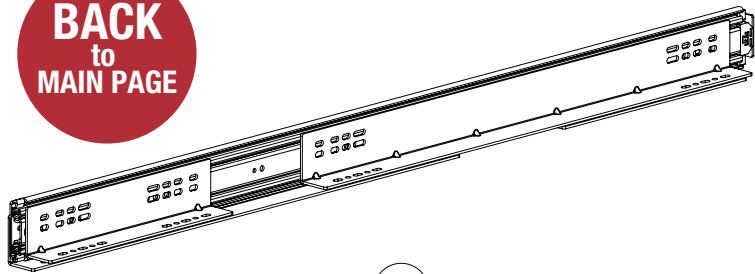
RECOMMENDED HARDWARE:
BRACKET TO CABINET- M6 OR 1/4 BUTTON HEAD SCREWS
BRACKET TO DRAWER- M6 OR 1/4 BUTTON HEAD SCREWS

INCLUDED HARDWARE PER SET:
(4) M6 x 16 BUTTON HEAD SCREW
(4) M6 HEX LOCK NUT

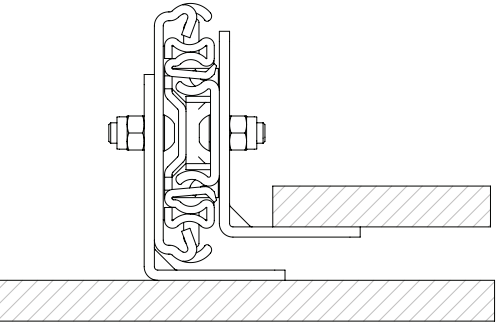
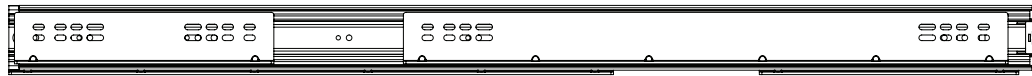
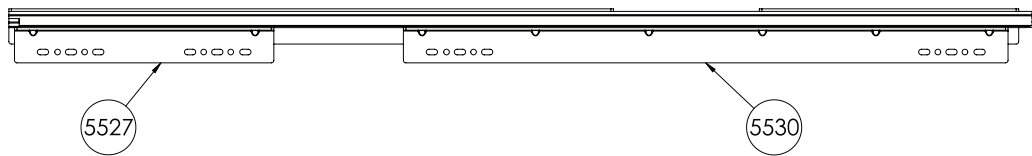
ITEM NO.	PartNo	DESCRIPTION	NL 46/QTY.
1	5527	305mm LONG BRACKET	2
2	5530	711mm LONG BRACKET	1
3	5529	559mm LONG BRACKET	1

general tolerances				DIN ISO 128-30 missing dimensions see 3D = theor. intersection	
ISO 2768-m		scale: 1:4		surface: X (technical requirements Fullterer)	
This drawing remains our property and may not be multiplied neither be disclosed to third parties (§§1,3 and 5 from the copyright Act (UrhG)) covered according to DIN ISO 16016					
(k)		date	name	description: BRACKET LAYOUT FR 5400 AND FR 5400L SLIDES	
(l)		drawn 10-09-2019	HB	drawing number: 5400.46-04.T018	
(m)		proven 00-00-0000	00	replaces version date:	
(n)		Fullterer		Fullterer AG & Co KG A-8890 Lustenau / Austria	
(o)		Fullterer AG		CH-8430 St. Margrethen	
(p)		00-00-0000	0		
(q)		ind. changes	date	na.	

**BACK
to
MAIN PAGE**



**FRONT OF
SLIDE**



SCALE 1:1

ITEM NO.	PartNo	DESCRIPTION	NL 48/QTY.
1	5527	305mm LONG BRACKET	2
2	5530	711mm LONG BRACKET	2

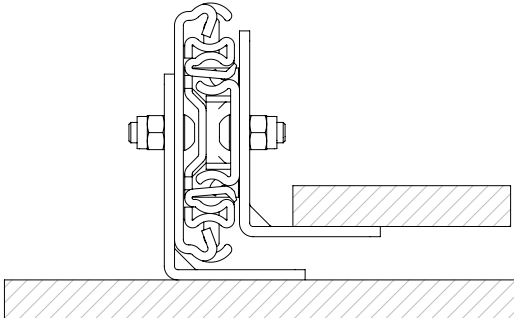
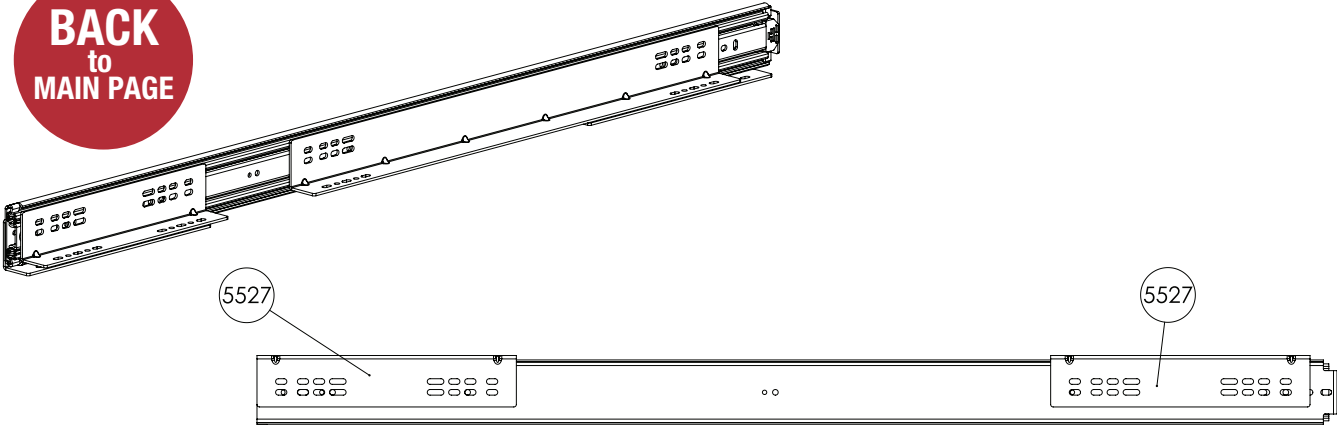
**NOTES: LEFT HAND SLIDE SHOWN
BRACKET QUANTITY REQUIRED IS PER SET
EACH SET HAS TWO BRACKETS, (4) SCREWS AND (4) NUTS**

RECOMMENDED HARDWARE:
BRACKET TO CABINET- M6 OR 1/4 BUTTON HEAD SCREWS
BRACKET TO DRAWER- M6 OR 1/4 BUTTON HEAD SCREWS

INCLUDED HARDWARE PER SET:
(4) M6 x 16 BUTTON HEAD SCREW
(4) M6 HEX LOCK NUT

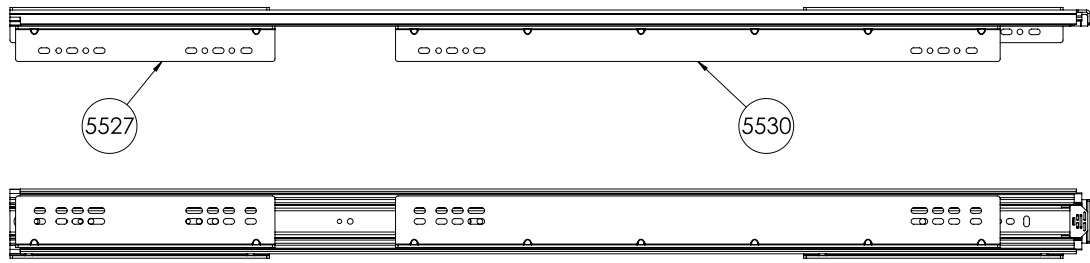
general tolerances				DIN ISO 128-30 missing dimensions see 3D = theor. intersection	
ISO 2768-m				A2	
This drawing remains our property and may not be multiplied neither be disclosed to third parties (§§1.3 and 5 from the copyright Act (UrHfG))				covered according to DIN ISO 16016	
(K)	scale:	1:4	surface:	x (technical requirements Fullerer)	
(C)	date:	10-09-2019	name:	description:	
(B)	drawn:	HB	proven:	BRACKET LAYOUT FR 5400 AND FR 5400L SLIDES	
(A)	proven:	00-00-0000	00	Fullerer	
(E)	Fullerer AG & Co KG A-8890 Lustenau / Austria				drawing number:
(D)	Fullerer AG CH-9430 St. Margrethen				5400.48-04.T018
(A) 0	00-00-0000	0	replaces version date:		
ind.	changes	date	na.		

BACK
to
MAIN PAGE



SCALE 1:1

FRONT OF SLIDE



ITEM NO.	PartNo	DESCRIPTION	NL 50/QTY.
1	5527	305mm LONG BRACKET	3
2	5530	711mm LONG BRACKET	1

NOTES: LEFT HAND SLIDE SHOWN
BRACKET QUANTITY REQUIRED IS PER SET
EACH SET HAS TWO BRACKETS, (4) SCREWS AND (4) NUTS

RECOMMENDED HARDWARE:
BRACKET TO CABINET- M6 OR 1/4 BUTTON HEAD SCREWS
BRACKET TO DRAWER- M6 OR 1/4 BUTTON HEAD SCREWS

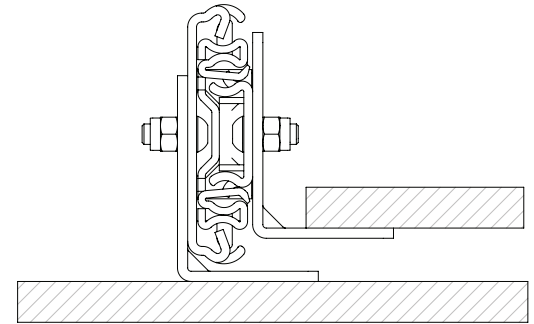
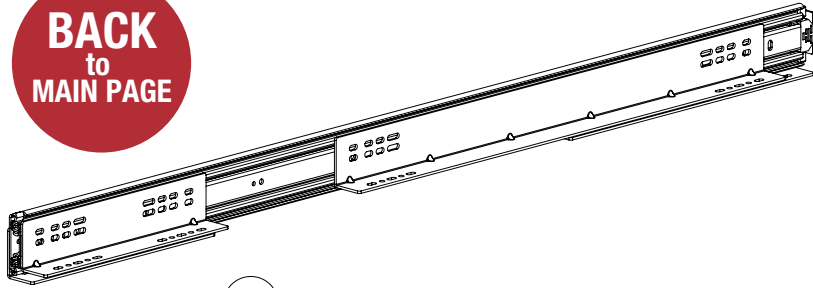
INCLUDED HARDWARE PER SET:
(4) M6 x 16 BUTTON HEAD SCREW
(4) M6 HEX LOCK NUT

general tolerances				DIN ISO 128-30 missing dimensions see 3D = theor. intersection	
ISO 2768-m		scale: 1:4		material, semi finished parts: X	
This drawing remains our property and may not be multiplied neither be disclosed to third parties (§§1,3 and 5 from the copyright Act (UrHG)).				covered according to DIN ISO 16016	
⊕		date	name	(technical requirements Fullterer)	
⊖		drawn 10-09-2019	HB	description:	
⊕		proven 00-00-0000	00	BRACKET LAYOUT FR 5400 AND FR 5400L SLIDES	
⊖		Fullterer		drawing number:	
⊕				5400.50-04.T018	
⊖		Fullterer AG & Co KG A-6890 Lustenau / Austria		replaces version date:	
⊕		Fullterer AG CH-9430 St. Margrethen			
ind.	changes	date	na.		

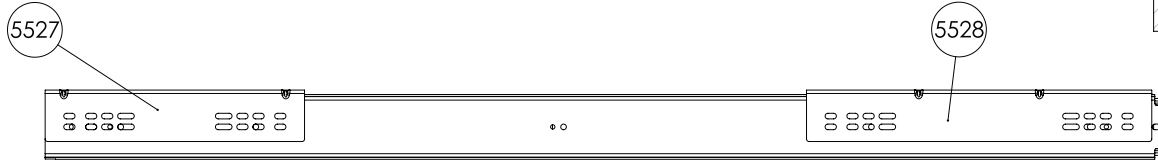
5400.52-04.T018

X

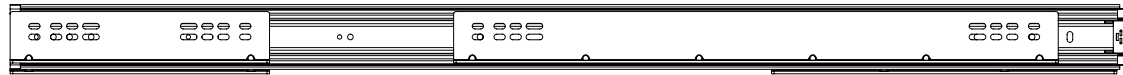
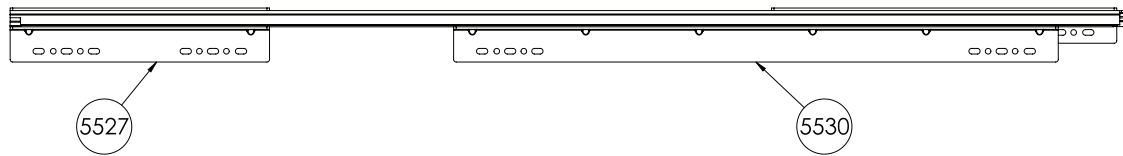
BACK
to
MAIN PAGE



SCALE 1:1



FRONT OF SLIDE



**NOTES: LEFT HAND SLIDE SHOWN
BRACKET QUANTITY REQUIRED IS PER SET
EACH SET HAS TWO BRACKETS, (4) SCREWS AND (4) NUTS**

RECOMMENDED HARDWARE:
BRACKET TO CABINET- M6 OR 1/4 BUTTON HEAD SCREWS
BRACKET TO DRAWER- M6 OR 1/4 BUTTON HEAD SCREWS

INCLUDED HARDWARE PER SET:
(4) M6 x 16 BUTTON HEAD SCREW
(4) M6 HEX LOCK NUT

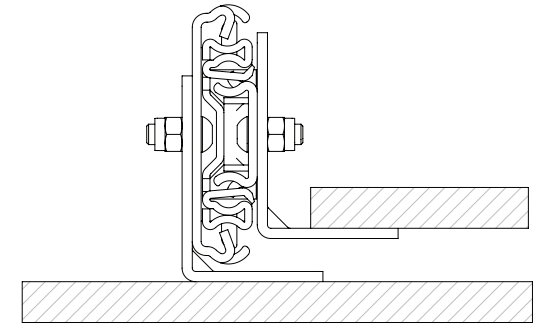
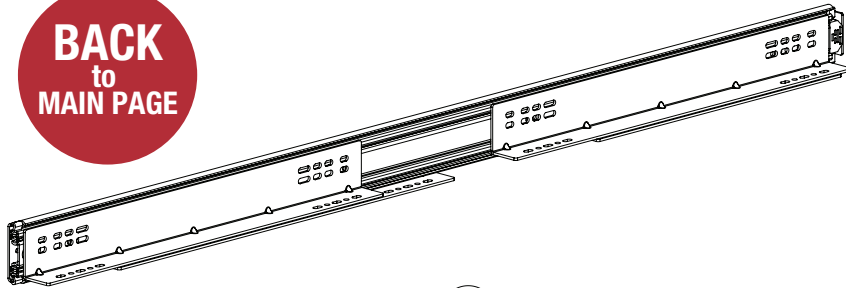
ITEM NO.	PartNo	DESCRIPTION	NL 52/QTY.
1	5528	406mm LONG BRACKET	1
2	5527	305mm LONG BRACKET	2
3	5530	711mm LONG BRACKET	1

general tolerances				DIN ISO 128-30 missing dimensions see 3D = theor. intersection	
ISO 2768-m		scale:	1:4	surface:	x
This drawing remains our property and may not be multiplied neither be disclosed to third parties (§§1,3 and 5 from the copyright Act (UrHGB)) covered according to DIN ISO 16016					
⊕		date	name	material, semi finished parts: A2	
⊖		drawn	10-09-2019	HB	description: BRACKET LAYOUT FR 5400 AND FR 5400L SLIDES
⊕		proven	00-00-0000	00	
⊖		Fullterer		drawing number: 5400.52-04.T018	
⊕				Fullterer AG & Co KG A-6850 Lustenau / Austria	
⊖		Fullterer AG CH-9430 St. Margrethen		replaces version date:	
⊕	0	00-00-0000	0		
ind.	changes	date	na.		

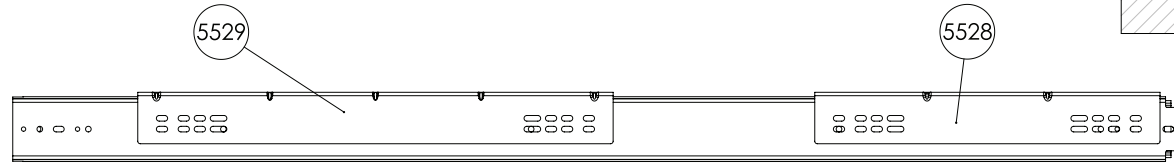
5400.54-04.T018

X

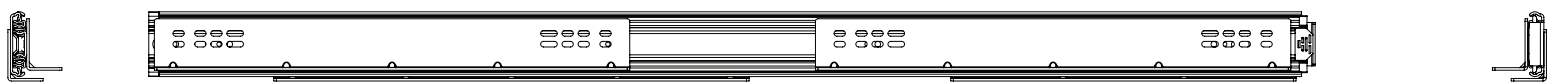
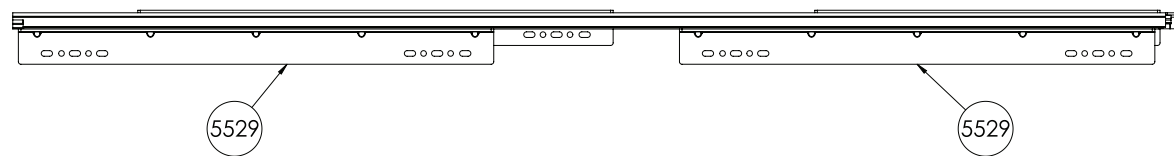
**BACK
to
MAIN PAGE**



SCALE 1:1



**FRONT OF
SLIDE**



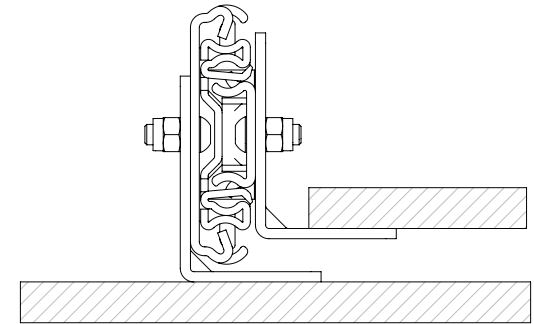
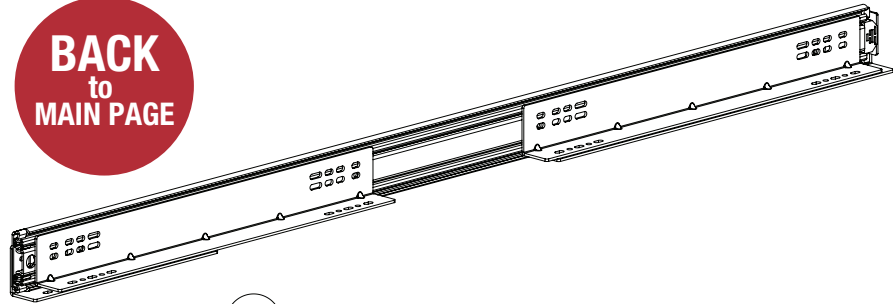
ITEM NO.	PartNo	DESCRIPTION	NL 54/QTY.
1	5529	559mm LONG BRACKET	3
2	5528	406mm LONG BRACKET	1

**NOTES: LEFT HAND SLIDE SHOWN
BRACKET QUANTITY REQUIRED IS PER SET
EACH SET HAS TWO BRACKETS, (4) SCREWS AND (4) NUTS**

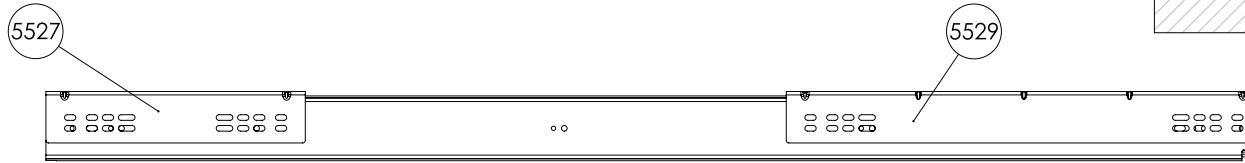
RECOMMENDED HARDWARE:
BRACKET TO CABINET- M6 OR 1/4 BUTTON HEAD SCREWS
BRACKET TO DRAWER- M6 OR 1/4 BUTTON HEAD SCREWS

INCLUDED HARDWARE PER SET:
(4) M6 x 16 BUTTON HEAD SCREW
(4) M6 HEX LOCK NUT

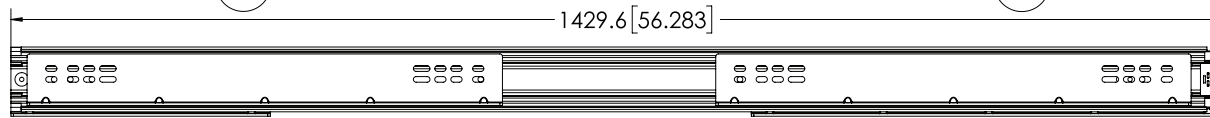
general tolerances				DIN ISO 128-30 missing dimensions see 3D = theor. intersection	
ISO 2768-m				material, semi finished parts: A2	
This drawing remains our property and may not be multiplied neither be disclosed to third parties (§§1.3 and 5 from the copyright Act (UrHGG)) covered according to DIN ISO 16016					
(x)	scale:	1:4	surface:	x (technical requirements Fullterer)	
(1)	date:		name:		
(2)	drawn:	10-09-2019	HB	description: BRACKET LAYOUT FR 5400 AND FR 5400L SLIDES	
(3)	proven:	00-00-0000	00		
(4)			Fullterer		
(5)			drawing number: 5400.54-04.T018		
(6)			replaces version date:		
(7)			Fullterer AG & Co KG A-6850 Lustenau / Austria		
(8)			Fullterer AG CH-9430 St. Margrethen		
(9)			ind. changes date na.		



SCALE 1:1



FRONT OF SLIDE



CAUTION: BRACKET EXTENDS BEYOND LENGTH OF SLIDE. ADD ADDITIONAL CLEARANCE

ITEM NO.	PartNo	DESCRIPTION	NL 56/QTY.
1	5529	559mm LONG BRACKET	3
2	5527	305mm LONG BRACKET	1

NOTES: LEFT HAND SLIDE SHOWN
BRACKET QUANTITY REQUIRED IS PER SET
EACH SET HAS TWO BRACKETS, (4) SCREWS AND (4) NUTS

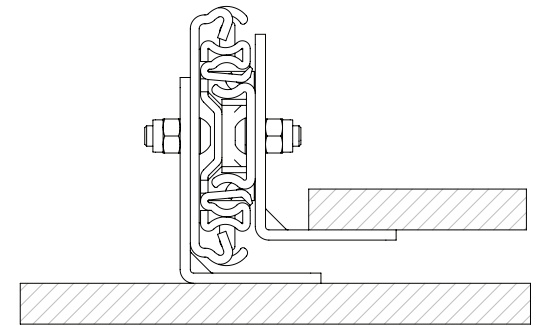
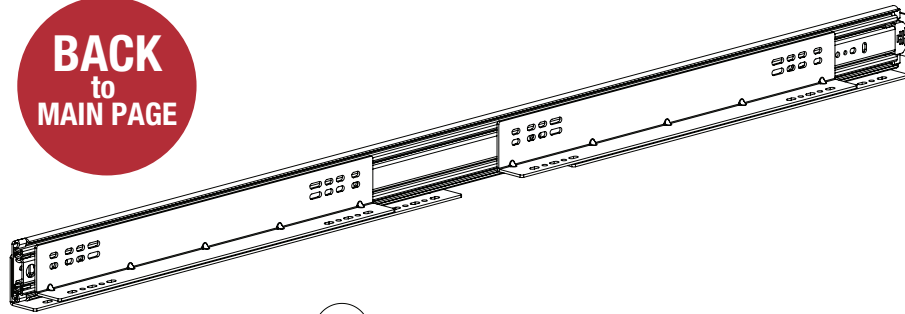
RECOMMENDED HARDWARE:
BRACKET TO CABINET- M6 OR 1/4 BUTTON HEAD SCREWS
BRACKET TO DRAWER- M6 OR 1/4 BUTTON HEAD SCREWS

INCLUDED HARDWARE PER SET:
(4) M6 x 16 BUTTON HEAD SCREW
(4) M6 HEX LOCK NUT

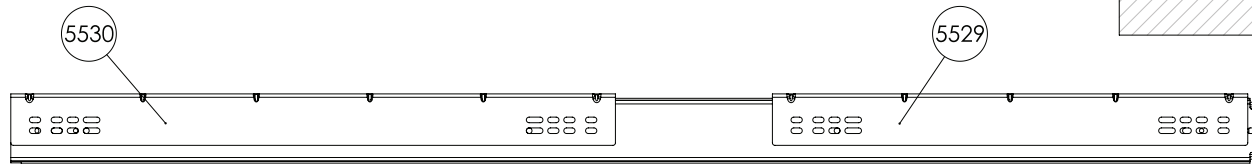
general tolerances				DIN ISO 128-30 missing dimensions see 3D = theor. intersection	
ISO 2768-m				A2	
This drawing remains our property and may not be multiplied neither be disclosed to third parties (§§1.3 and 5 from the copyright Act (UrhG)) covered according to DIN ISO 16016				material, semi finished parts: x (technical requirements Fullterer)	
(a)		scale:	1:4	surface:	
(b)		date		name	
(c)		drawn	10-09-2019	HB	
(d)		proven	00-00-0000	00	
(e)		Fullterer			
(f)		Fullterer AG & Co KG A-6890 Lustenau / Austria			drawing number: 5400.56-04.T018
(g)		Fullterer AG CH-9430 St. Margrethen			replaces version date:
(h)	00-00-0000	0			
(i)	changes	date	nb.		

5400.58-04.T018

**BACK
to
MAIN PAGE**

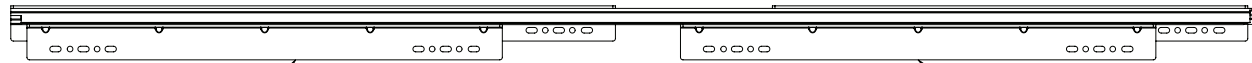


X



SCALE 1:1

FRONT OF
SLIDE



5529

5529



ITEM NO.	PartNo	DESCRIPTION	NL 58/QTY.
1	5530	711mm LONG BRACKET	1
2	5529	559mm LONG BRACKET	3

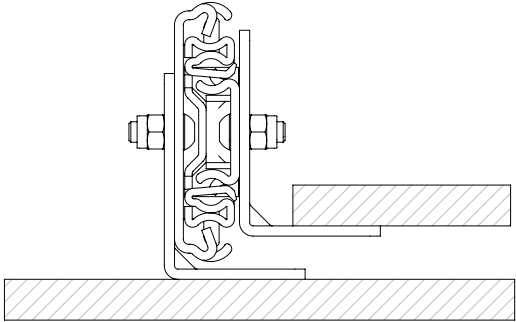
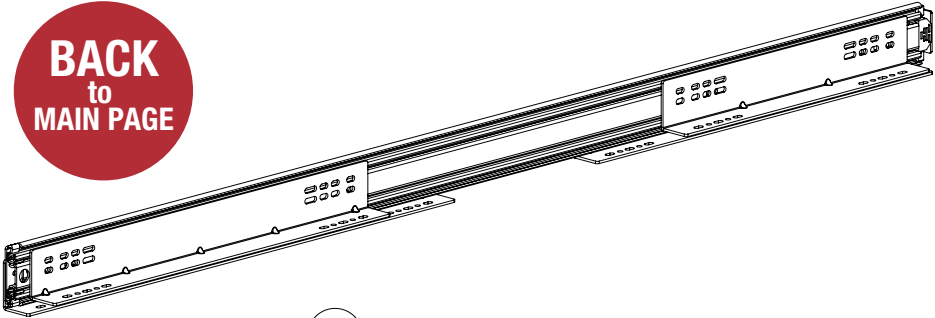
**NOTES: LEFT HAND SLIDE SHOWN
BRACKET QUANTITY REQUIRED IS PER SET
EACH SET HAS TWO BRACKETS, (4) SCREWS AND (4) NUTS**

RECOMMENDED HARDWARE:
BRACKET TO CABINET- M6 OR 1/4 BUTTON HEAD SCREWS
BRACKET TO DRAWER- M6 OR 1/4 BUTTON HEAD SCREWS

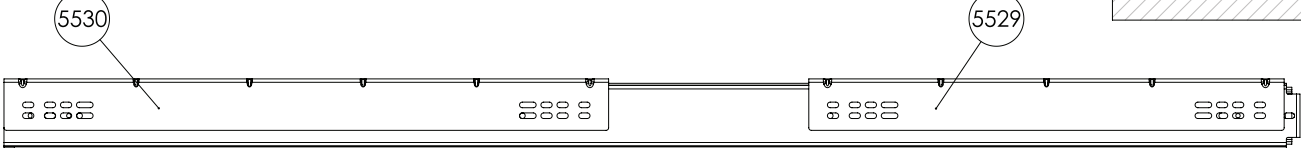
INCLUDED HARDWARE PER SET:
(4) M6 x 16 BUTTON HEAD SCREW
(4) M6 HEX LOCK NUT

general tolerances				DIN ISO 128-30 missing dimensions see 3D = theor. intersection	
ISO 2768-m					
This drawing remains our property and may not be multiplied neither be disclosed to third parties (§§1.3 and 5 from the copyright Act (UrhG)) covered according to DIN ISO 16016				material, semi finished parts: A2	
(K)		scale:	1:4	surface:	x
(M)		date:		(technical requirements Fullterer)	
(N)		name:		description:	
(P)		drawn:	10-09-2019	HB	BRACKET LAYOUT FR 5400
(R)		proven:	00-00-0000	00	AND FR 5400L SLIDES
(S)		Fullterer			
(T)		Fullterer AG & Co KG A-6890 Lustenau / Austria			
(U)		drawing number: 5400.58-04.T018			
(V)	0	00-00-0000	0	Fullterer AG CH-9430 St. Margrethen replaces version date:	
(W)	changes	date	na.		

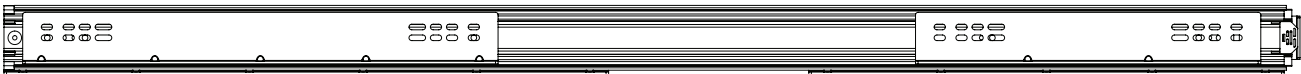
**BACK
to
MAIN PAGE**



SCALE 1:1



FRONT OF SLIDE



**NOTES: LEFT HAND SLIDE SHOWN
BRACKET QUANTITY REQUIRED IS PER SET
EACH SET HAS TWO BRACKETS, (4) SCREWS AND (4) NUTS**

RECOMMENDED HARDWARE:
BRACKET TO CABINET- M6 OR 1/4 BUTTON HEAD SCREWS
BRACKET TO DRAWER- M6 OR 1/4 BUTTON HEAD SCREWS

INCLUDED HARDWARE PER SET:
(4) M6 x 16 BUTTON HEAD SCREW
(4) M6 HEX LOCK NUT

ITEM NO.	PartNo	DESCRIPTION	NL 60/QTY. SETS
1	5530	711mm LONG BRACKET	1
2	5529	559mm LONG BRACKET	2
3	5528	406mm LONG BRACKET	1

general tolerances		DIN ISO 128-30 missing dimensions see 3D = theor. intersection	
ISO 2768-m			
This drawing remains our property and may not be multiplied neither be disclosed to third parties (§§1,3 and 5 from the copyright Act (UrHG)).			
covered according to DIN ISO 16016	scale: 1:4	surface:	material, semi finished parts: A2
date	name	(technical requirements Fulterer)	
drawn 10-09-2019	HB	description:	
proven 00-00-0000	00	BRACKET LAYOUT FR 5400 AND FR 5400L SLIDES	
Fulterer		drawing number:	
Fulterer AG & Co KG A-8890 Lustenau / Austria		5400.60-04.T018	
Fulterer AG CH-9430 St. Margrethen		replaces version date:	
ind. changes	date	na.	