

# Roller runner systems FR



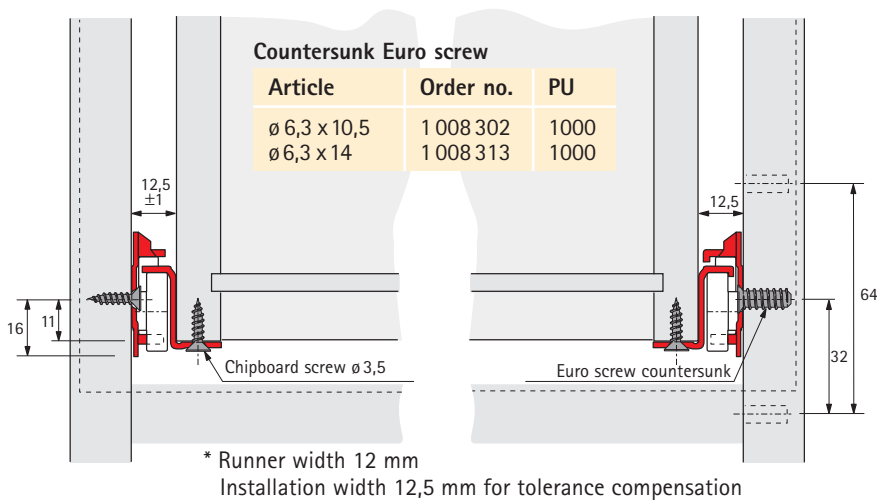
# Roller runner system FR 402 with one-sided captive guide rail for screw-on assembly



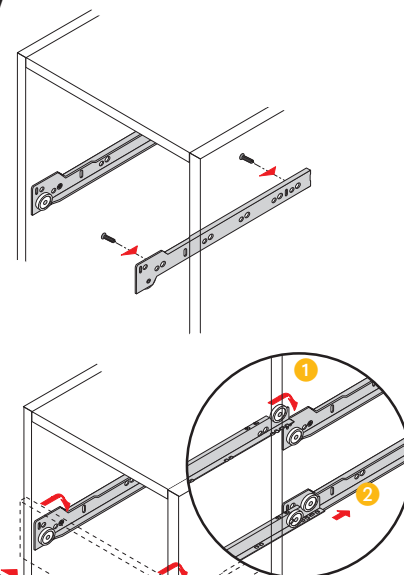
- 7 runner lengths 300 – 600 mm
- Finish: white
- Load capacity 100 lbs K.C.M.A.
- One-sided captive guide rail, automatic tolerance compensation  $\pm 1$  mm
- Integrated self-closing feature, double STOP and roll-out prevention
- Noise-absorbing plastic rollers, bushed bearings

Article / Nominal length mm	Order no.	PU	Drawer length mm	Min. cabinet depth mm	Extension loss mm
FR 402/300	1 056 053	100 sets	300	303	69
FR 402/350	1 074 665	100 sets	350	353	69
FR 402/400	1 056 063	100 sets	400	403	69
FR 402/450	1 056 068	100 sets	450	453	79
FR 402/500	1 056 073	100 sets	500	503	86
FR 402/550	1 056 079	100 sets	550	553	94
FR 402/600	1 056 084	100 sets	600	603	104

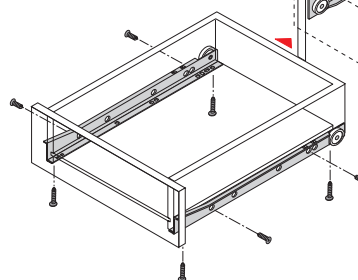
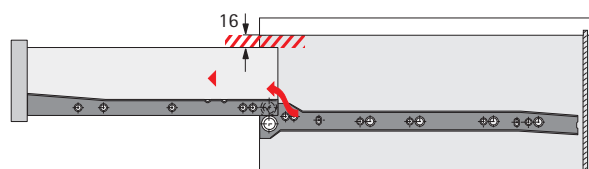
Other colours available on request



## Assembly

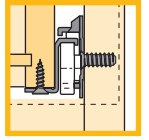


## Drawer removal

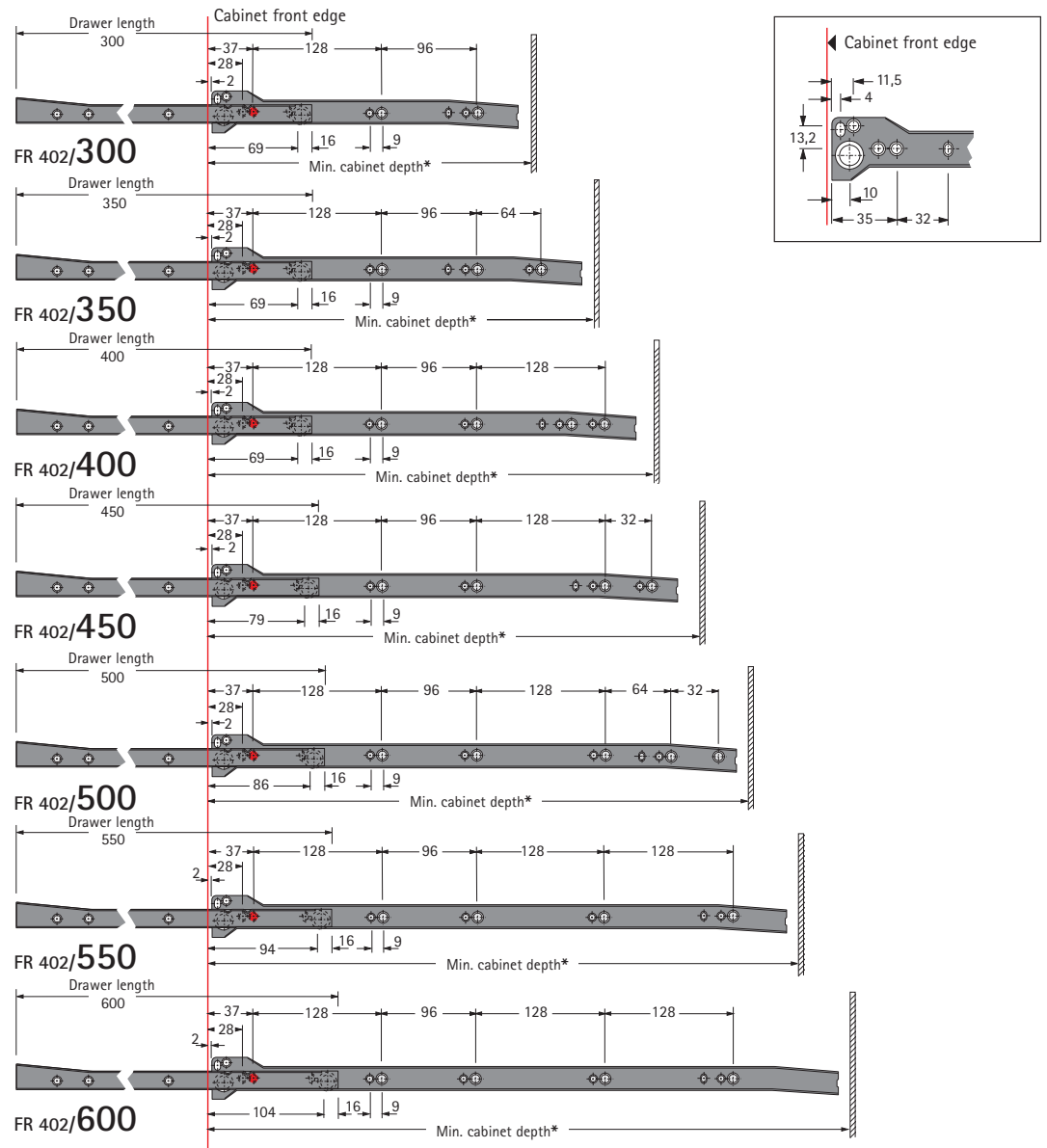


Assembly jig, see page 166

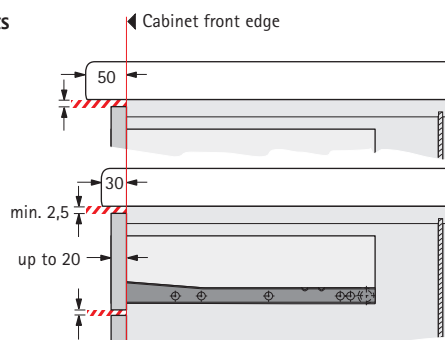
For face frame cabinets use rear bracket 052 101/052 102, see page 166



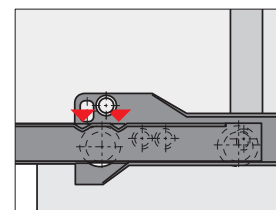
## Hole position for drawers (mm)



## Cabinet requirements



## Integrated double STOP



# Accessories and assembly jig for roller runners FR 302/402

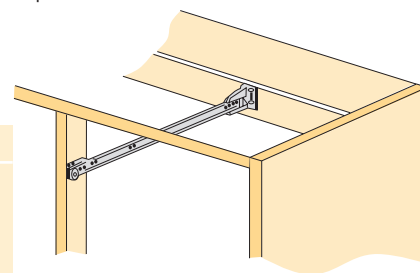
## Rear Mounting Bracket for FR 302/402 roller runners



The rear mounting bracket is especially designed for face frame construction as well as applications not using a full center panel. Positive fit between slide and bracket eliminates "twist-out" between parts. Interference between bracket and drawer box impossible. Elongated slots provide both horizontal and vertical adjustment. Attachment can be by screw or staples.

Min. support 30 mm, max. support 86 mm.

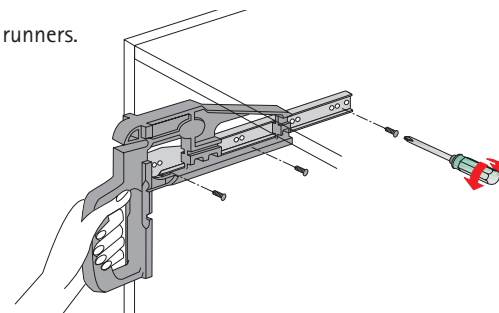
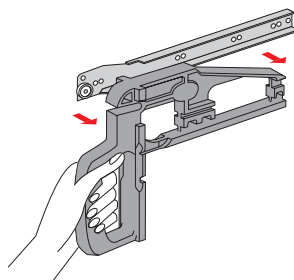
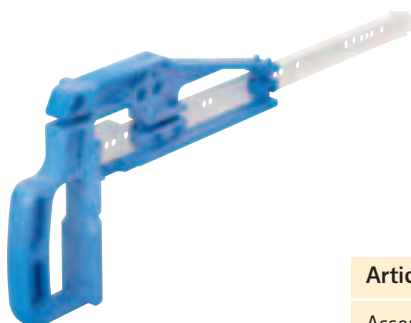
Article	Finish	Order no.	PU
Rear mounting bracket left	plastic	052 101	600
Rear mounting bracket right	plastic	052 102	600
Recommended screw no. 6			



## Assembly jig

For simple, fast and precise assembly of FR 302/402 roller runners.

Material: blue plastic



Article	Order no.	PU
Assembly jig	064 820	1