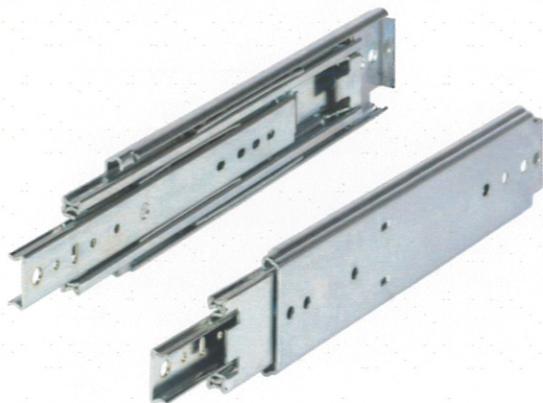


KA 3330

Full extension ball bearing slide, Lock-out function with Release Latch

3/4" (19 mm) installation width

Load capacity 300-500 lbs* (136-227 kg)



Features: Lock-out function with Release Latch, Precision ball bearings, Non-handed, Cushioned in stop for noise absorption, Non-disconnect, Steel ball cage for higher load and impact implications.

Load Rating: 300-500 lbs (136-227 kg)/pair*
 * 300 lbs (136 kg)-75,000 cycles, 500 lbs (227 kg)- 10,000 cycles
 Mobile applications: up to 325 lbs (145 kg)/pair

Travel: Full extension

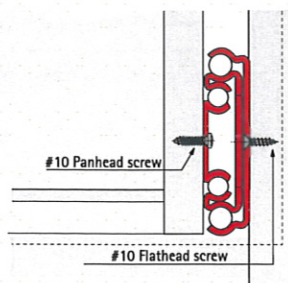
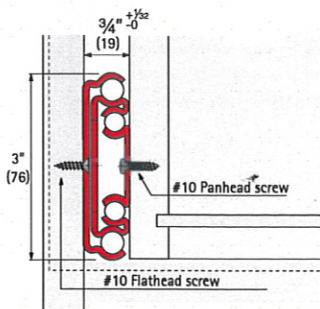
Side Space: 3/4" (19 mm)

Lengths: Available in even lengths 12"-36" (254-914mm)
 Special lengths available upon request

Finish: Pre-galvanized
 Optional finishes available upon request: black e-coat, white e-coat, white powdercoat

RoHS compliant
 Made in USA

Description	Slide Length inch / mm		Min. cabinet depth inch / mm		Bulk Pack Order No.	PU	Load capacity			
							Full Travel		Full Travel	
							75,000 cycles		10,000 cycles	
							lbs	kg	lbs	kg
KA 3330 12"	12	305	12.25	311	113 140 900	5 sets	325	147	500	227
KA 3330 14"	14	356	14.25	362	113 141 000	5 sets	325	147	500	227
KA 3330 16"	16	406	16.25	413	113 141 100	5 sets	325	147	500	227
KA 3330 18"	18	457	18.25	463	113 141 200	5 sets	325	147	500	227
KA 3330 20"	20	508	20.25	514	113 141 300	5 sets	300	136	460	209
KA 3330 22"	22	559	22.25	565	113 141 400	5 sets	280	127	430	195
KA 3330 24"	24	610	24.25	616	113 141 500	5 sets	268	122	410	186
KA 3330 26"	26	660	26.25	667	113 277 800	5 sets	260	118	400	181
KA 3330 28"	28	711	28.25	718	113 141 600	5 sets	254	115	390	177
KA 3330 30"	30	762	30.25	768	113 141 700	5 sets	247	112	380	172
KA 3330 32"	32	813	32.25	819	113 141 800	3 sets	240	109	370	168
KA 3330 34"	34	863	34.25	870	113 277 900	3 sets	234	106	360	163
KA 3330 36"	36	914	36.25	921	113 151 800	3 sets	226	103	348	158



Assembly

