

# FULL EXTENSION SLIDE

**LOAD RATING**  
64-116kg  
140-255lbs

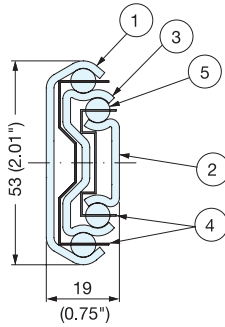
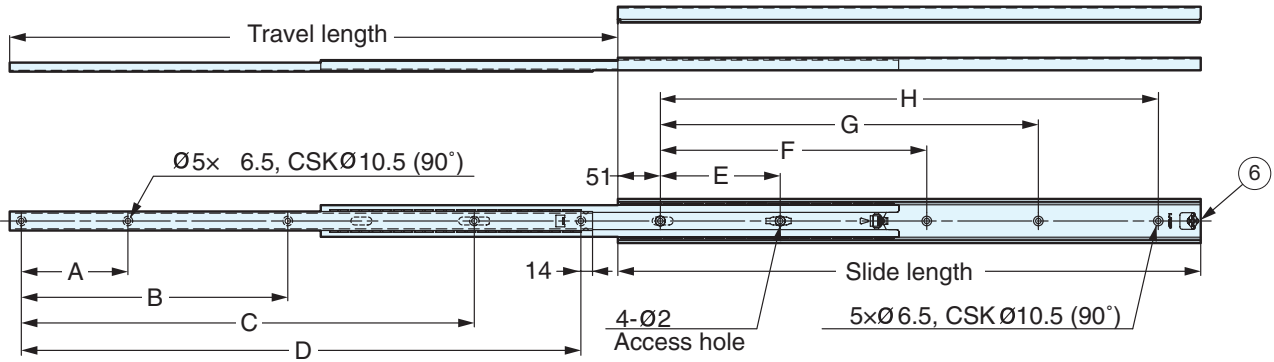
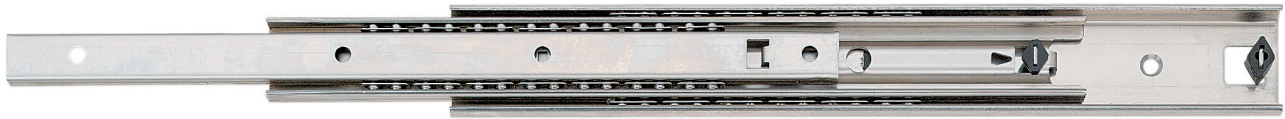
**NO SCREW**

**STAINLESS 304 STEEL**

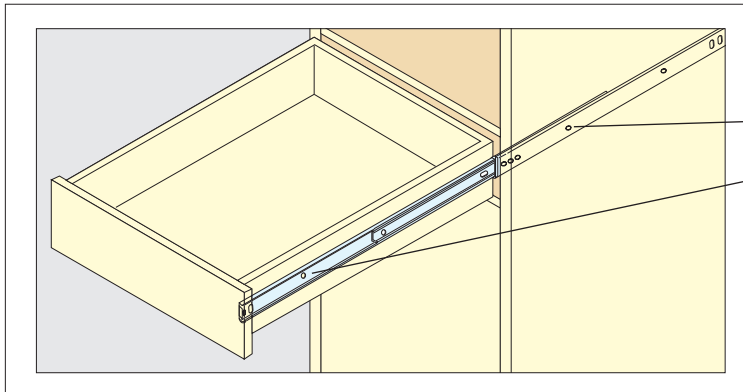
**5302**

DRAWER SLIDES

STAINLESS STEEL SLIDES



- Full extension.
- Positive stop.
- Non-handed.
- Hold-in detent.
- \* Sold by each.
- \* Mount with M5 Flat head screws.



Installation

25.4 mm=1"

No.	Part	Material
①	Outer Rail	304 Stainless Steel
②	Inner Rail	
③	Intermediate Member	
④	Retainer	Rubber
⑤	Balls	
⑥	Detent	

Item No.	Slide Length	Travel Length	A	B	C	D	E	F	G	H	Load Rating (kg/pair)	Weight (g)	Box (pcs)
5302-300	300 (11-13/16")	334 ( 13-1/8" )	128	256	-	-	112	192	-	-	116 (255 lbs)	860	20
5302-350	350 ( 13-3/4" )	384 ( 15-1/8" )	160	320	-	-	144	240	-	-	111 (244 lbs)	1000	
5302-400	400 ( 15-3/4" )	433 ( 17-1/16" )	128	256	352	-	80	224	304	-	99 (218 lbs)	1140	16
5302-450	450 (17-11/16")	482 ( 19" )	128	288	416	-	80	272	352	-	96 (211 lbs)	1280	
5302-500	500 (19-11/16")	532 ( 21" )	128	288	448	-	112	336	384	-	92 (201 lbs)	1430	10
5302-550	550 (21-11/16")	580 (22-13/16")	192	320	512	-	112	288	448	-	86 (188 lbs)	1570	
5302-600	600 ( 23-5/8" )	630 (24-13/16")	208	336	544	-	112	336	496	-	81 (177 lbs)	1710	10
5302-650	650 ( 25-5/8" )	677 ( 26-5/8" )	128	288	480	608	112	272	416	544	76 (166 lbs)	1850	
5302-700	700 (27-9/16")	728 ( 28-5/8" )	128	336	544	672	144	304	448	592	71 (155 lbs)	2000	8
5302-750	750 ( 29-1/2" )	777 ( 30-5/8" )	192	370	530	722	176	336	496	648	68 (149 lbs)	2140	
5302-800	800 ( 31-1/2" )	826 ( 32-1/2" )	224	388	548	772	192	384	576	688	64 (140 lbs)	2280	