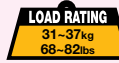


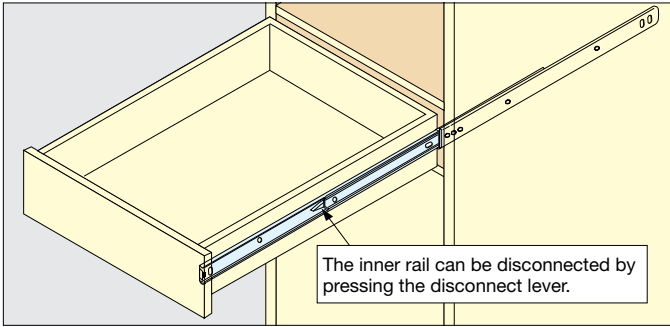
FULL EXTENSION SOFT CLOSE SLIDE



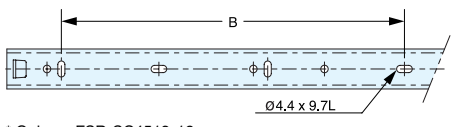
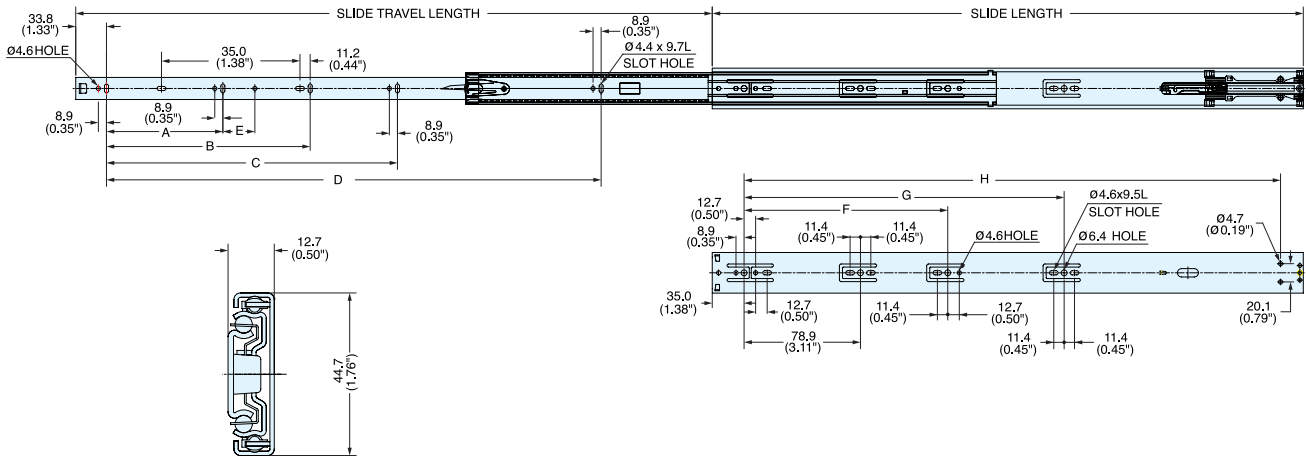
ESR-SC4513

DRAWER SLIDES

FULL EXTENSION SOFT CLOSE SLIDE



- Full extension.
- Front disconnect.
- Positive stop.
- Hold-in detent 700 g-f (1.5 lb) max.
- Handed: specific left and right hand mounting.
- Sold in pairs.
- Inner member clearance provided for screws 8 mm x 2 mm HT.
- Outer member clearance provided for screws 8 mm x 2 mm HT.
- Mount with M4 or #8 Binding, Pan, or Truss head screws.



25.4 mm=1"

Part Name	Material
Outer Member	304 Stainless Steel
Middle Member	
Inner Member	
Damper S/C Assy	304 Stainless Steel/POM / Nylon 66
Rivet #1	304 Stainless Steel
Retainer	Polypropylene
Ball Case	304 Stainless Steel
Hook Block	Nylon 66
Rivet #2	304 Stainless Steel
Disconnecter	Nylon 66
Stopper (Guide)	Nylon 6
Balls	304 Stainless Steel
Grease	H1 Grade

Item No.	Slide Length	Travel Length	A	B	C	D	E	F	G	H	Load Rating (kg/pair)	Weight (g)	Box (Pair)
ESR-SC4513-16	400 (15-3/4")	400 (15-3/4")	128	-	-	-	35.2	224	352	340	37 (82 lbs)	996	10
ESR-SC4513-18	450 (17-23/32")	450 (17-23/32")		212.8	-	-				390	36 (79 lbs)	1153	
ESR-SC4513-20	500 (19-11/16")	500 (19-11/16")		-	339	-				440	35 (77 lbs)	1303	
ESR-SC4513-22	550 (21-21/32")	550 (21-21/32")		-	384	-				490	34 (75 lbs)	1472	
ESR-SC4513-24	600 (23-5/8")	600 (23-5/8")		224.0	288	416				540	33 (73 lbs)	1623	
ESR-SC4513-26	650 (25-19/32")	650 (25-19/32")		-	496	-				590	32 (70 lbs)	1779	
ESR-SC4513-28	700 (27-9/16")	700 (27-9/16")		320	544	-				640	31 (68 lbs)	1940	