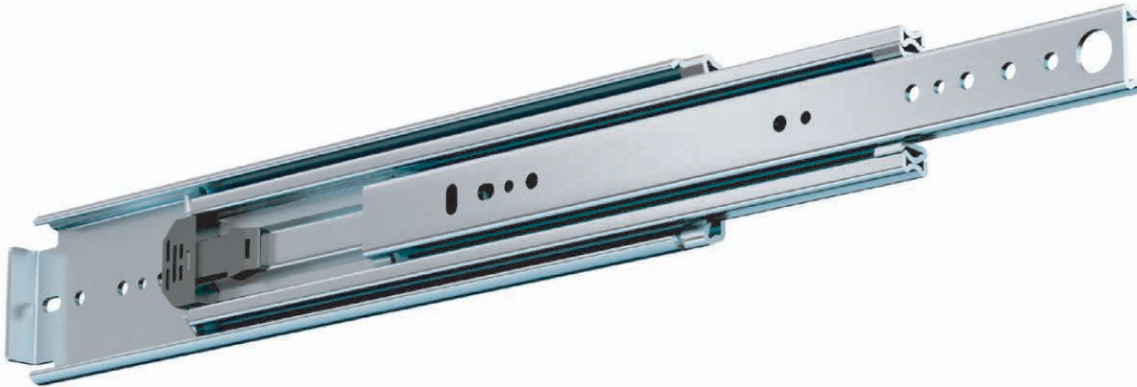


FR 5400

SLIDE TYPE:	Heavy-Duty Full-Extension Ball Bearing Drawer Slide
MOUNTING:	Side Mount

WIDTH:	19.1 mm (0.75 in.)
LOAD CAPACITY:	dynamic up to 250 kg (550 lbs.)

NEW!

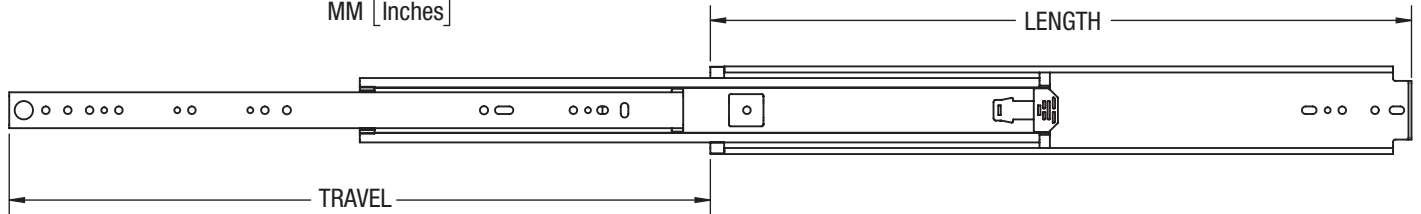
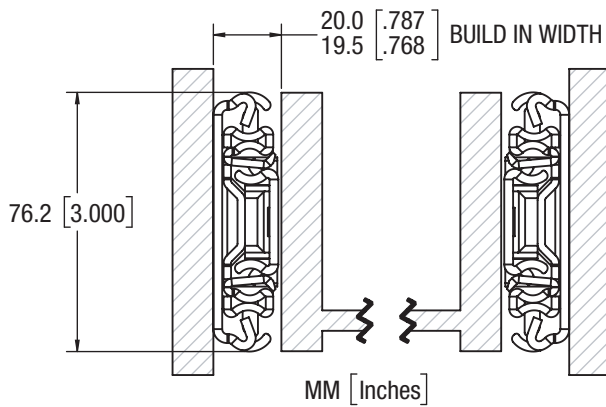


MATERIALS:	zinc plated cold rolled steel
-------------------	-------------------------------

FEATURES:	stainless steel ball bearings
------------------	-------------------------------

SPECIFICATIONS:
▶ ball bearing drawer slide with the heaviest load capacity
▶ non-handed and non-disconnect
▶ flat mounting possible, weight rating reduced

HARDWARE:
▶ M6 or 1/4" button head screws



DESCRIPTION	LENGTH (mm)	LENGTH (INCHES)	TRAVEL (mm)	TRAVEL (INCHES)	PART NUMBER
FR 5400-08	203.2	8.0	203.2	8.0	5500
FR 5400-10	254.0	10.0	254.0	10.0	5501
FR 5400-12	304.8	12.0	304.8	12.0	5502
FR 5400-14	355.6	14.0	355.6	14.0	5503
FR 5400-16	406.4	16.0	406.4	16.0	5504
FR 5400-18	457.2	18.0	457.2	18.0	5505
FR 5400-20	508.0	20.0	508.0	20.0	5506
FR 5400-22	558.8	22.0	558.8	22.0	5507
FR 5400-24	609.6	24.0	609.6	24.0	5508
FR 5400-26	660.4	26.0	660.4	26.0	5509
FR 5400-28	711.2	28.0	711.2	28.0	5510
FR 5400-30	762.0	30.0	762.0	30.0	5511
FR 5400-32	812.8	32.0	812.8	32.0	5512
FR 5400-34	863.6	34.0	863.6	34.0	5513
FR 5400-36	914.4	36.0	914.4	36.0	5514
FR 5400-38	965.2	38.0	965.2	38.0	5515
FR 5400-40	1016.0	40.0	1016.0	40.0	5516
FR 5400-42	1066.8	42.0	1066.8	42.0	5517
FR 5400-44	1117.6	44.0	1117.6	44.0	5518
FR 5400-46	1168.4	46.0	1168.4	46.0	5519
FR 5400-48	1219.2	48.0	1219.2	48.0	5520
FR 5400-50	1270.0	50.0	1270.0	50.0	5521
FR 5400-52	1320.8	52.0	1320.8	52.0	5522
FR 5400-54	1371.6	54.0	1371.6	54.0	5523
FR 5400-56	1422.4	56.0	1422.4	56.0	5524
FR 5400-58	1473.2	58.0	1473.2	58.0	5525
FR 5400-60	1524.0	60.0	1524.0	60.0	5526

Packing Unit: 46" and shorter 4 sets per box, 48" and longer 2 sets per box