

FR 5426

SLIDE TYPE:	Super Heavy Duty Ball Bearing Slide with Over-travel
MOUNTING:	Side Mount

WIDTH:	26.0 mm ^{+0.4} / ₋₀ (1.024 in.)
LOAD CAPACITY:	dynamic up to 350 kg (770 lbs.)

NEW!



MATERIALS: steel roll formed and machined profiles

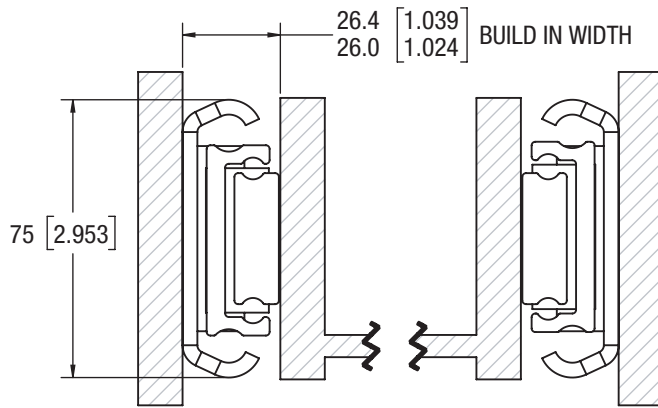
FEATURES: 25mm (.984 in.) Over-travel

SPECIFICATIONS:

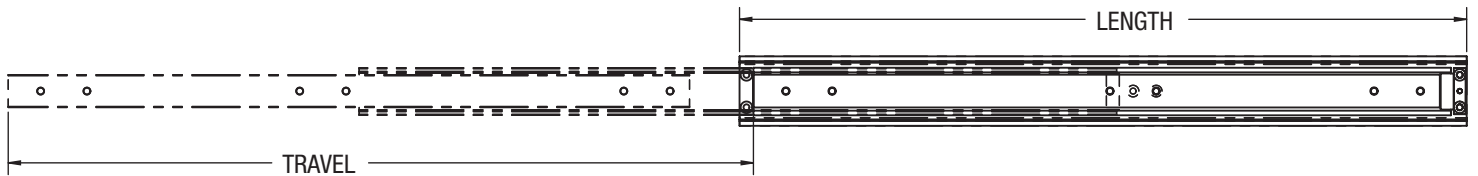
- ▶ non-handed and non-disconnect
- ▶ flat mounting possible, weight rating reduced

HARDWARE:

- ▶ Cabinet: M6 Flathead Screws
- ▶ Drawer M8 x 1.25 screws



MM [Inches]



DESCRIPTION	LENGTH (mm)	LENGTH (INCHES)	TRAVEL (mm)	TRAVEL (INCHES)	PART NUMBER
FR 5426- 300	300	11.81	325	12.80	5561
FR 5426- 350	350	13.78	375	14.76	5562
FR 5426- 400	400	15.75	425	16.73	5563
FR 5426- 450	450	17.72	475	18.70	5564
FR 5426- 500	500	19.69	525	20.67	5565
FR 5426- 550	550	21.65	575	22.64	5566
FR 5426- 600	600	23.62	625	24.61	5567
FR 5426- 650	650	25.59	675	26.57	5568
FR 5426- 700	700	27.56	725	28.54	5569
FR 5426- 750	750	29.53	765	30.12	5570
FR 5426- 800	800	31.50	825	32.48	5571
FR 5426- 850	850	33.46	875	34.45	5572
FR 5426- 900	900	35.43	925	36.42	5573
FR 5426- 950	950	37.40	975	38.39	5574
FR 5426-1000	1000	39.37	1025	40.35	5575

Packing Unit: 300-550mm 4 pieces per box, 600-1000mm 2 pieces per box