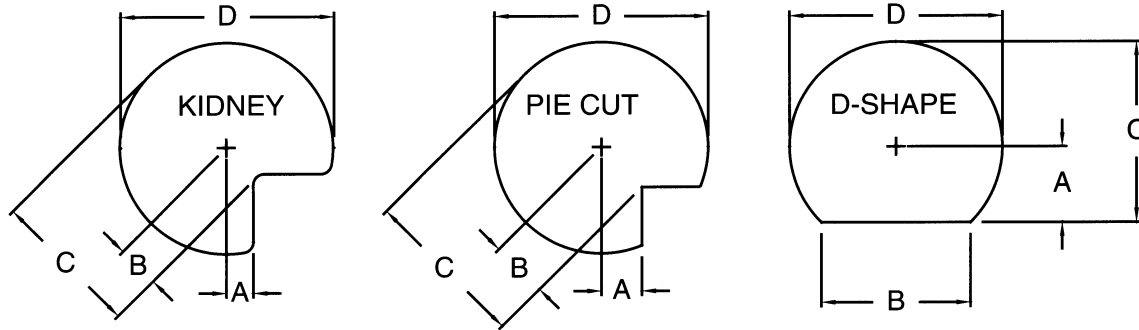


SPECIFICATIONS - KIDNEY, PIE-CUT, & D-SHAPE TRAYS

3400 SERIES VALUE LINE TRAYS HAVE THE SAME DIMENSIONS AS POLYMER TRAYS.



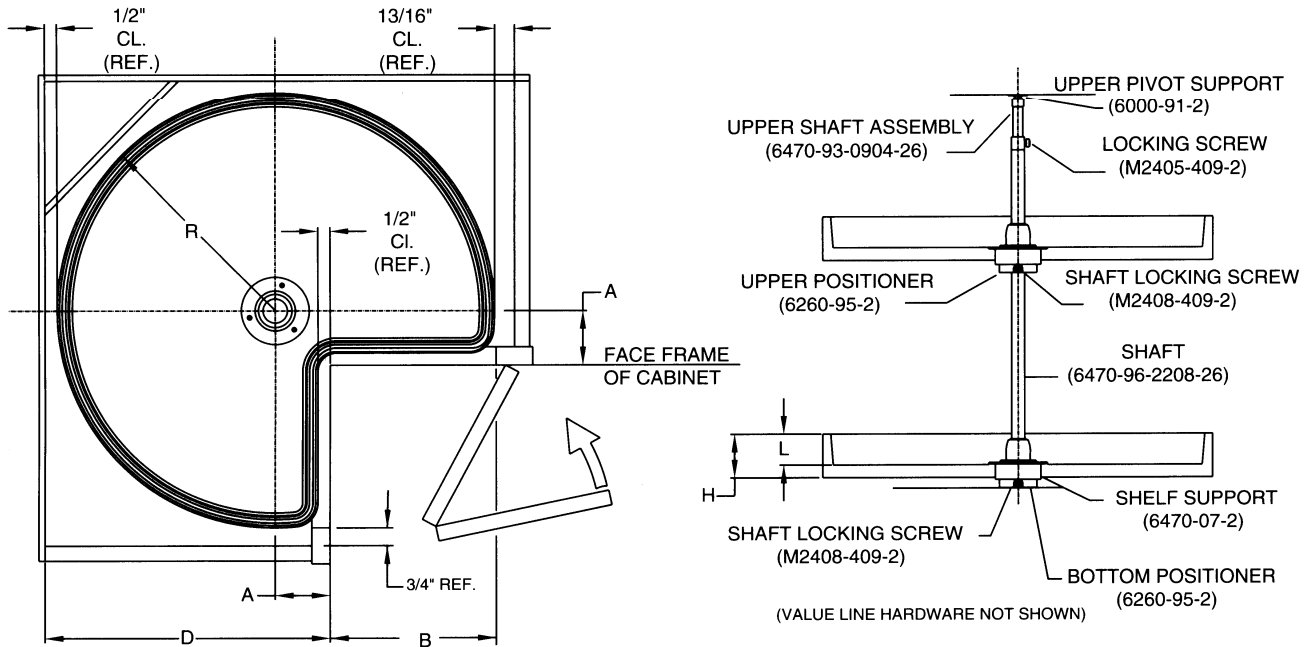
TRAY	MAT'L	PART #	A	B	C	D	SHAFT SYSTEM
18" KIDNEY	POLYMER	6401-18	1-3/4	2-13/16	11-13/16	18	1" IND.
	WOOD						
	CHROME						
24" KIDNEY	POLYMER	6400-24	1-1/2	2-5/16	14-5/16	24	1" IND.
	WOOD						
	CHROME						
28" KIDNEY	POLYMER	6400-28	3	4-11/16	18-5/8	28	1" IND.
	WOOD						
32" KIDNEY	POLYMER	6400-32	4-1/4	6-7/16	22-7/16	32	1" IND.
	WOOD	4400-31	4-5/8	7-1/4	22-3/4	31	1" IND.
	CHROME	5400-32	4-1/8	6	22-1/16	32-1/8	1" IND.
20" D-SHAPE	POLYMER	6201-20	8-15/16	9-1/4	19	20-1/8	1" IND.
	POLYMER	7001-20	8-7/8	9-1/4	18-7/8	20	3/4 DEP
	WOOD	4200-20	8-3/8	11	18-3/8	20	1" IND.
	CHROME	5201-20	8-7/8	9-1/4	18-7/8	20	1" IND.
22" D-SHAPE	POLYMER	6201-22	7-3/16	16-5/8	18-3/16	22	1" IND.
	WOOD						
	CHROME						
32" D-SHAPE	POLYMER						
	WOOD	4200-31	14	13-1/4	29-1/2	31	1" IND.
	CHROME	5201-32	14-7/16	13-3/4	30-7/16	32	1" IND.
18" PIE CUT	POLYMER	6101-18	7/8	1-1/4	10-1/4	18	3/4 DEP
	WOOD						
	CHROME						
22" PIE CUT	POLYMER	6101-22	1-1/8	1-9/16	12-9/16	22	3/4 DEP
	WOOD						
	CHROME						
24" PIE CUT	POLYMER	6901-24	1-3/8	1-15/16	13-15/16	24	1" IND.
	WOOD						
	CHROME						
28" PIE CUT	POLYMER	6101-28	3	4-1/4	18-1/4	28	1" IND.
	WOOD						
	CHROME						

Rev-A-Shelf Lazy Susans are tested to exceed BHMA Class 1 Specifications



SPECIFICATIONS - KIDNEY TRAYS

The dimensions below are minimum cabinet dimensions to be used when the Rev-A-Shelf 6400, 5400, 4400 and 3400 Series Polymer and Metal trays are being utilized.



NOM. TRAY SIZE	HEIGHT "H"	SPILL LIP "L"	CENTER OF ROTATION "A"	TRAY RADIUS "R"	CABINET OPENING "B"	CABINET DEPTH "D"
----------------	------------	---------------	------------------------	-----------------	---------------------	-------------------

6400 SERIES POLYMER TRAYS (Including 3400 Series Value Line Series Trays)

INCHES	18"	1-7/16"	3/4"	2-1/4"	9"	6-13/16"	11-3/4"
MM	457	37	19	57	229	173	298
INCHES	24"	2-5/16"	3/4"	2"	12"	10-1/16"	14-1/2"
MM	610	59	19	51	305	256	368
INCHES	28"	2-9/16"	1"	3-1/2"	14"	10-9/16"	18"
MM	711	65	25	89	356	268	457
INCHES	32"	2-9/16"	1"	4-3/4"	16"	11-3/8"	21-1/4"
MM	813	65	25	121	406	289	540

5400 SERIES PREMIERE CHROME TRAYS

INCHES	28"	3-7/8"	2-1/2"	3-1/2"	14-1/16"	10-5/8"	18-1/16"
MM	711	98	64	89	357	270	459
INCHES	32"	3-3/4"	2-5/8"	4-5/8"	16-1/16"	11-1/2"	21-3/16"
MM	813	95	67	117	408	292	538

4400 SERIES WOOD CLASSIC TRAYS

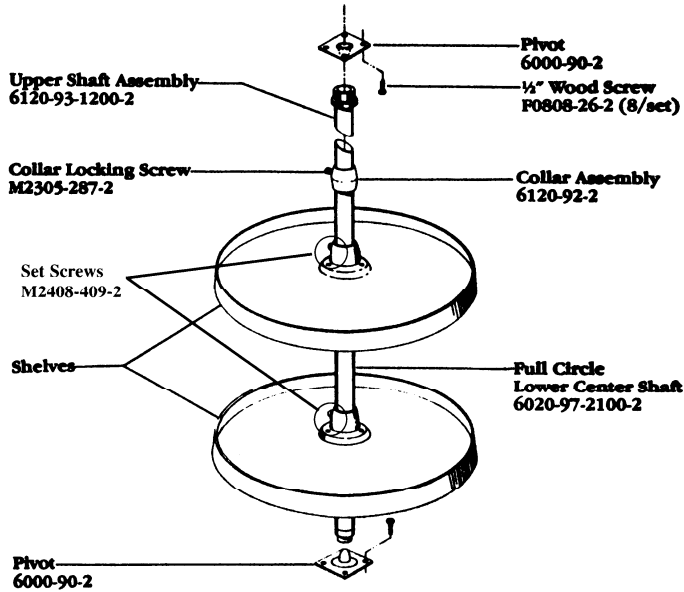
INCHES	31"	2-3/4"	2"	5-5/8"	15-7/16"	9-9/16"	21-9/16"
MM	787	70	51	143	392	243	548

Rev-A-Shelf Lazy Susans are tested to exceed BHMA Class 1 Specifications

SPECIFICATIONS - HARDWARE PART IDENTIFICATION

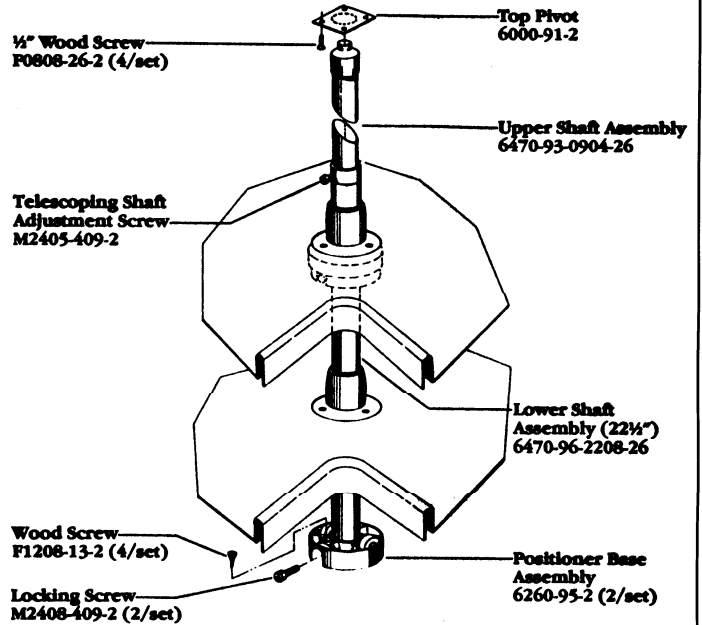
FULL CIRCLE SHELF SETS

6012 SERIES HARDWARE



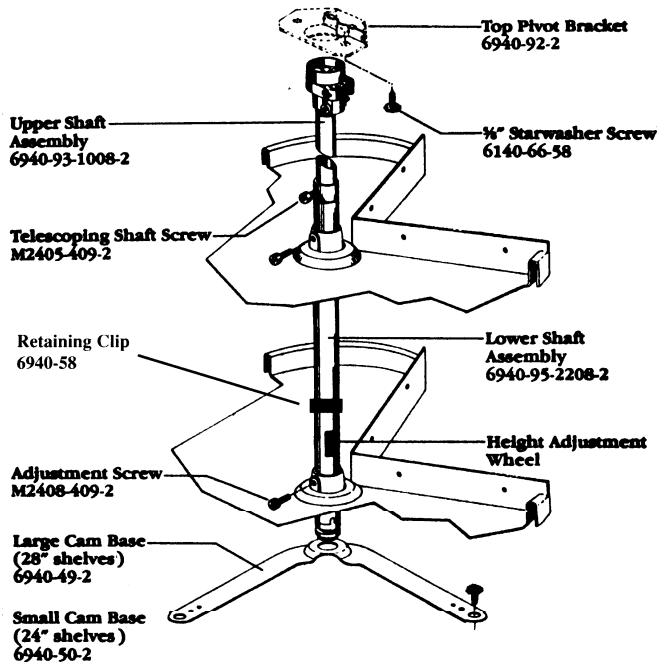
KIDNEY SHELF SETS

6470 SERIES HARDWARE



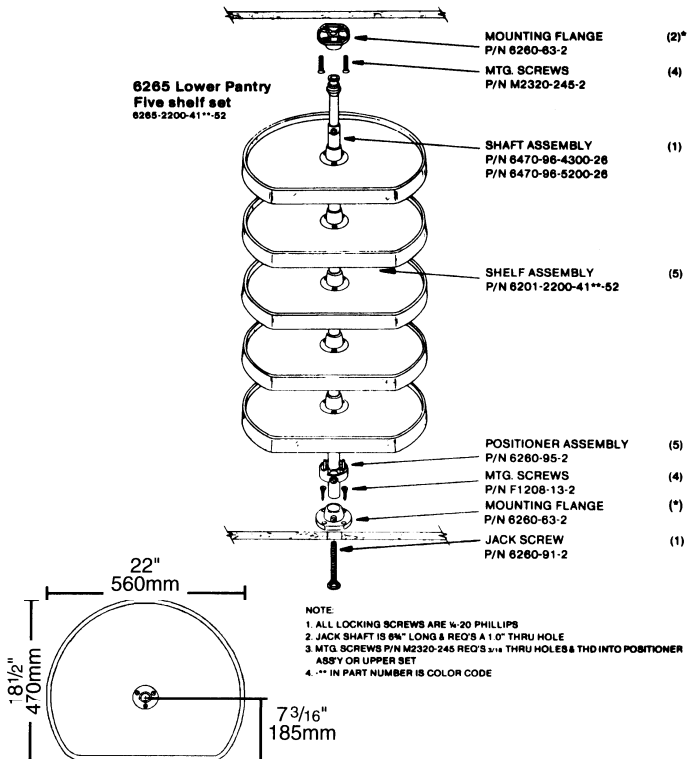
PIE-CUT SHELF SETS

6940 SERIES HARDWARE



POLYMER PANTRY SHELF SETS

6265 Lower Pantry Five shelf set 6265-2200-41**-52



NOTE
 1. ALL LOCKING SCREWS ARE #20 PHILLIPS
 2. JACK SHAFT IS 6W\"/>