

FR 506.B

SLIDE TYPE:	Regular-Extension, Heavy Duty Slide
MOUNTING:	Bottom Mount

WIDTH:	min. 89 mm (3.50 in.)
LOAD CAPACITY:	dynamic up to 100 kg (225 lbs.)

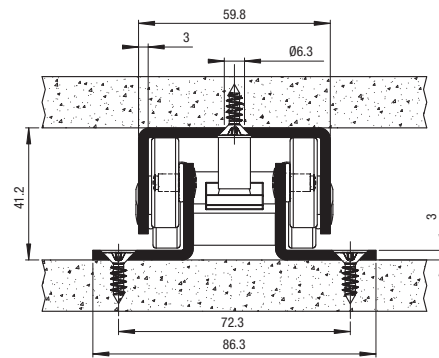
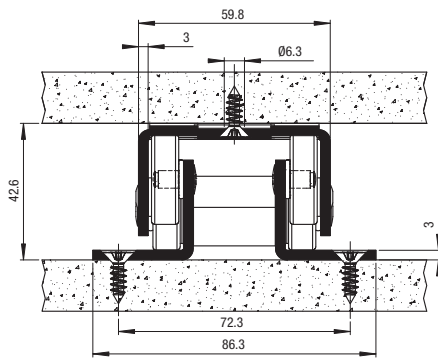


MATERIAL:	powder coated cold rolled steel
------------------	---------------------------------

FEATURES:	solid delrin* rollers
------------------	-----------------------

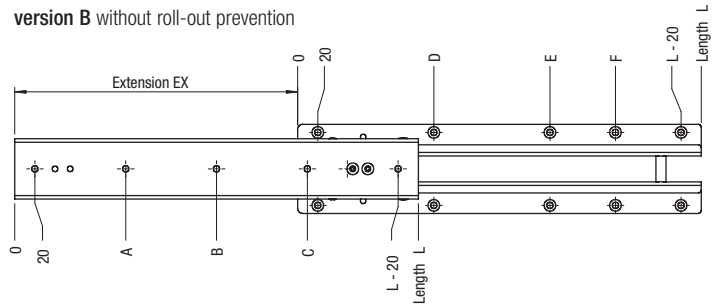
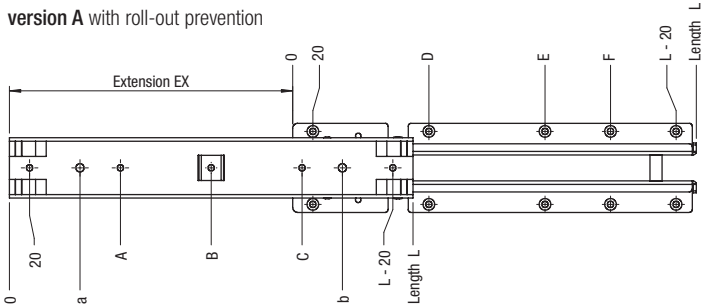
SPECIFICATIONS:	<ul style="list-style-type: none"> ▶ ideally suited for displays, exhibits and store fixtures ▶ absolute lateral stability provided by specially shaped profiles ▶ light, rigid and silent movement via special roller assembly ▶ simple assembly of the pullout unit via countersunk fixing holes for M6 countersunk screws.
------------------------	---

NOTES:	▶ special designs available on request
---------------	--



version A with roll-out prevention

version B without roll-out prevention



Length L	EX Version A with roll-out prevention		EX Version B without roll-out prevention		A	B	C	a	b	D	E	F	Order No. Version A black	Order No. Version B black
	mm	in	mm	in										
400	15.75	280 11.02	280 11.02			200 7.87					250 9.84		*	*
450	17.72	330 12.99	315 12.40			225 8.86					275 10.83		*	*
500	19.69	380 14.96	350 13.78			250 9.84		70 2.76	372.6 14.67		300 11.81		1702	*
550	21.65	430 16.93	385 15.16			275 10.83		70 2.76	372.6 14.67		325 12.80		1703	*
600	23.62	480 18.90	420 16.54			300 11.81		126 4.96	467 18.39		350 13.78		*	*
650	25.59	520 20.47	455 17.91	172.5 6.79		325 12.80	** **	126 4.96	467 18.39	197.5 7.78	375 14.76	502.5 19.78	*	*
700	27.56	560 22.05	490 19.29	185 7.28		350 13.78	515 20.28	126 4.96	467 18.39	210 8.27	400 15.75	540 21.26	*	*
750	29.53	600 23.62	525 20.67	197.5 7.76		375 14.76	552.5 21.75			222.5 8.76	425 16.73	577.5 22.74	*	*
800	31.50	640 25.20	560 22.05	210 8.27		400 15.75	590 23.23			235 9.25	450 17.72	615 24.21	*	*
850	33.46	680 26.77	595 23.43	222.5 8.76		425 16.73	627.5 24.70			247.5 9.74	475 18.70	652.5 25.69	*	*
900	35.43	720 28.35	630 24.80	235 9.25		450 17.72	665 26.18			260 10.24	500 19.69	690 27.17	*	*
950	37.40	760 29.92	665 26.18	247.5 9.74		475 18.70	702.5 27.66			272.5 10.73	525 20.67	727.5 28.64	*	*
1000	39.37	800 31.50	700 27.56	260 10.24		500 19.69	740 29.13			285 11.22	550 21.65	765 30.12	*	*
1050	41.34	840 33.07	915 36.02	272.5 10.73		525 20.67	777.5 30.61			297.5 11.71	575 22.64	802.5 31.59	*	*

Packing Unit: one slide per box **Version A: 487.5 19.19 Version B: 477.5 18.80 * on request

*DuPont (TM) Delrin®